

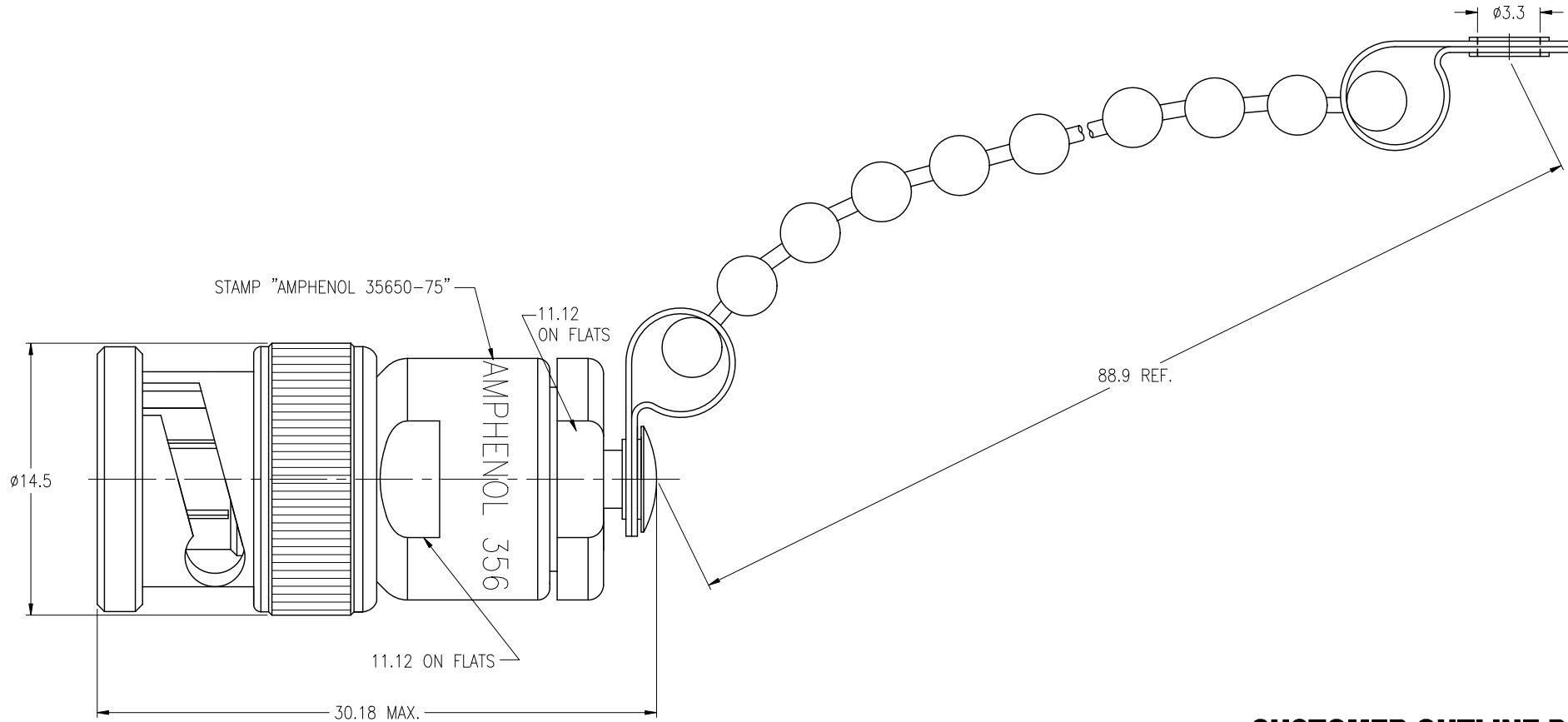
NOTES:

1. MATERIALS AND FINISHES
 BODY - BRASS, NICKEL PLATING
 CONTACT - BRASS, GOLD PLATING
 INSULATOR - PTFE
2. ELECTRICAL:
 A. IMPEDANCE: 75 OHM
 B. FREQUENCY RANGE: DC TO 2 GHz
3. MECHANICAL:
 A. DURABILITY: 500 CYCLES MIN.
 B. TEMPERATURE RANGE: - 65°C to +165°C

THIRD ANGLE PROJ.

REVISIONS

REV	DESCRIPTION	DATE	ECO	APPR
A	RELEASE TO MFG.	--	--	TONY
B	CHAIN WAS CHANGED	08-Dec-04	--	SH
C	CHAIN WAS CHANGED	17-May-05	--	AW
D	CHAIN WAS CHANGED	10-Nov-06	--	SH
E	SHELL WAS CHANGED	27-Feb-08	--	AW
AF	REDRAWN TO UPDATE FORMAT	15-Jan-09	47240	SH
AG	SPRING WAS CHANGED	24-Jul-12	49157	SH



CUSTOMER OUTLINE DRAWING
 ALL OTHER SHEETS ARE FOR INTERNAL USE ONLY

UNLESS OTHERWISE SPECIFIED, DIMENSIONS ARE IN METRIC AND TOLERANCES ARE:
 <0.5mm ±0.05mm 0.5 - 6mm ±0.1mm 6 - 30mm ±0.2mm 30 - 120mm ±0.3mm ANGLES ±1°

NOTICE - These drawings, specifications, or other data (1) are, and remain the property of Amphenol Corp. (2) must be returned upon request; and (3) are confidential and not to be disclosed to any person other than those to whom they are given by Amphenol Corp. The furnishing of these drawings, specifications, or other data by Amphenol Corp., or to any other person to anyone for any purpose is not to be regarded by implication or otherwise in any manner licensing, granting rights or permitting such holder or any other person to manufacture, use or sell any product, process or design, patented or otherwise, that may in any way be related to or disclosed by said drawings, specifications, or other data.

MATERIAL	DRAWN	DATE	TITLE		Amphenol RF Danbury CT USA, Tainan Taiwan, Shenzhen China www.amphenolrf.com
	T.DENG	23-Jul-12			
REFERENCE	ENGINEER	DATE	BNC RESISTOR TERMINATED PLUG 1/2 WATT WITH CHAIN		DRAWING NO. 35650-75
	S.LI	23-Jul-12			ITEM NO. 35650-75
FINISH	APPROVED	DATE	SCALE: 3/1	SHEET 2 OF 2	PART NO. 35650-75
	S.HSIEH	24-Jul-12	DWG SIZE B	REV AG	
	CAD FILE	DATE			
	F:\DWG\CNPD\35650\75-AGSZ	24-Jul-12			