

NOTES:

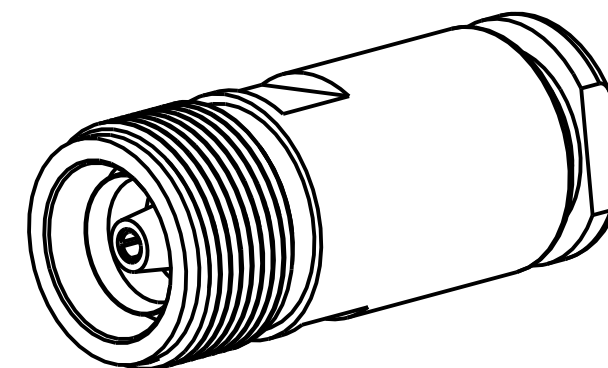
1. MATERIALS AND FINISHES:
 BODY, BRAID CLAMPS, INNER BODY,
 CLAMP NUT, WASHER & SLEEVE - BRASS, NICKEL PLATING
 CONTACT - BeCu, SILVER PLATING
 INSULATORS - COPOLYMER OF STYRENE
 INSULATOR - CROSS LINKED POLYSTYRENE
 GASKET - SILICONE RUBBER, RED
2. ELECTRICAL:
 A. IMPEDANCE: 50 OHM
3. MECHANICAL:
 A. DURABILITY: 500 CYCLES MIN.
 B. TEMPERATURE RANGE: -40°C TO +85°C
4. PACKAGING:
 A. QUANTITY: SINGLE PACK
 B. MARKING: BAG TO BE MARKED
 "AMPHENOL RF, 52975, AND DATE CODE"
5. REFER TO SPECIFICATION 349-50097 FOR CABLE STRIPPING AND CONNECTOR ASSEMBLY INSTRUCTIONS.

6 SHOWS CABLE ENTRY DIMENSIONS .

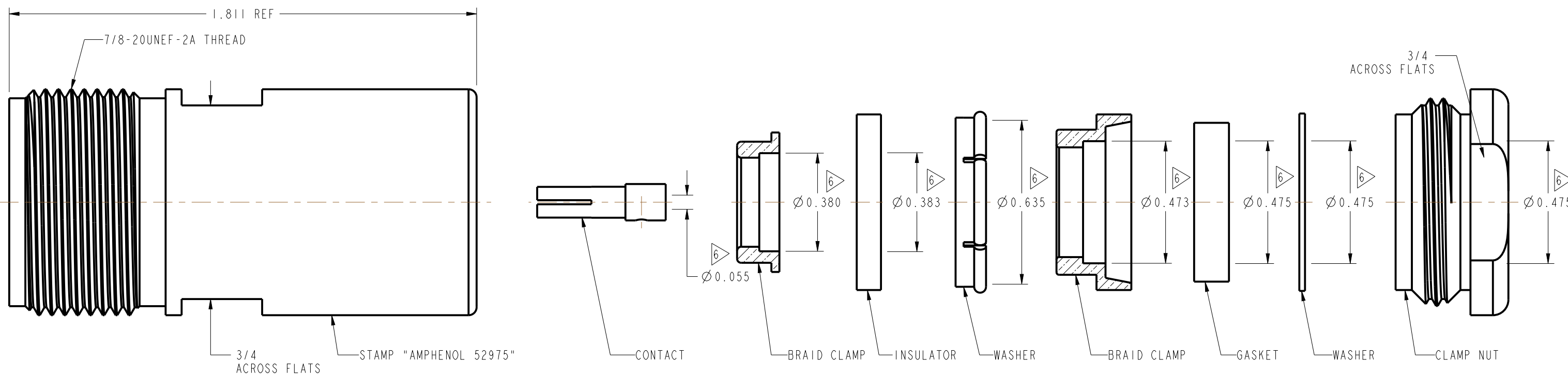
THIRD ANGLE PROJ.

REVISIONS

REV	DESCRIPTION	DATE	ECO	APPR
--	RELEASE TO MFG.	--	--	--
M	REDRAWN IN PRO-E, ADDED COD	6/17/14	49949	KR



SCALE 1.500



CUSTOMER OUTLINE DRAWING

ALL OTHER SHEETS ARE FOR INTERNAL USE ONLY

UNLESS OTHERWISE SPECIFIED, DIMENSIONS ARE IN INCHES AND TOLERANCES ARE: 2 PLACE DECIMAL 3 PLACE DECIMAL ANGLES $\pm .015$ (0,381 mm) $\pm .005$ (0,127 mm) $\pm 1^\circ$	MATERIAL	DRAWN	DATE	TITLE		Amphenol RF www.amphenolrf.com
	SEE NOTES	KARTHIK R	25-Mar-14			
	REFERENCE	ENGINEER	DATE	21-529 CABLE		
	DOR 51-22089	K. CAPOZZI	25-Mar-14	SCALE: 2.6:1.0 SHEET 2 OF 2		
NOTICE - These drawings, specifications, or other data (1) are, and remain the property of Amphenol corp. (2) must be returned upon request; and (3) are confidential and not to be disclosed to any person other than those to whom they are given by Amphenol Corp. the furnishing of these drawings, specifications, or other data by Amphenol Corp., or to any other person to anyone for any purpose is not to be regarded by implication or otherwise in any manner licensing, granting rights to permitting such holder or any other person to manufacture, use or sell any product, process or design, patented or otherwise, that may in any way be related to or disclosed by said drawings, specifications, or other data.	CONFIGURATION LEVEL: In Work	APPROVED	DATE	DWG SIZE		PART NO. 52975
FINISH	K. CAPOZZI	6/17/14	B			