

NOTES:

1. MATERIALS AND FINISHES:

- BODIES, SHELL, WASHER, - BRASS, NICKEL PLATING
- NUT, BUSHING, & PIN - BRASS, SILVER PLATING
- CONTACT - PTFE, NATURAL
- INSULATOR - SILICONE RUBBER, RED
- GASKETS - BeCu, NICKEL PLATING
- SPRING - COMPRESSION TYPE GLASS, SILVER PLATING
- TERMINAL -

2. ELECTRICAL:

- A. IMPEDANCE: 50 OHM, NOMINAL

3. MECHANICAL:

- A. DURABILITY: 500 CYCLES MIN.
- B. TEMPERATURE RANGE: -65° C TO +165° C

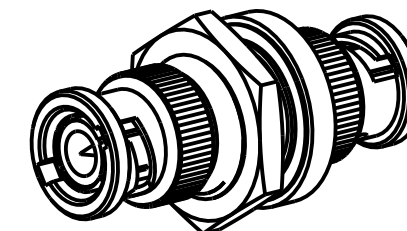
4. PACKAGING:

- A. QUANTITY: SINGLE PACK
- B. MARKING: BAG TO BE MARKED
"AMPHENOL RF, 75500, AND DATE CODE"

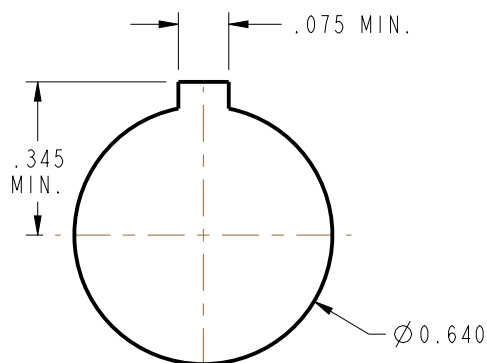
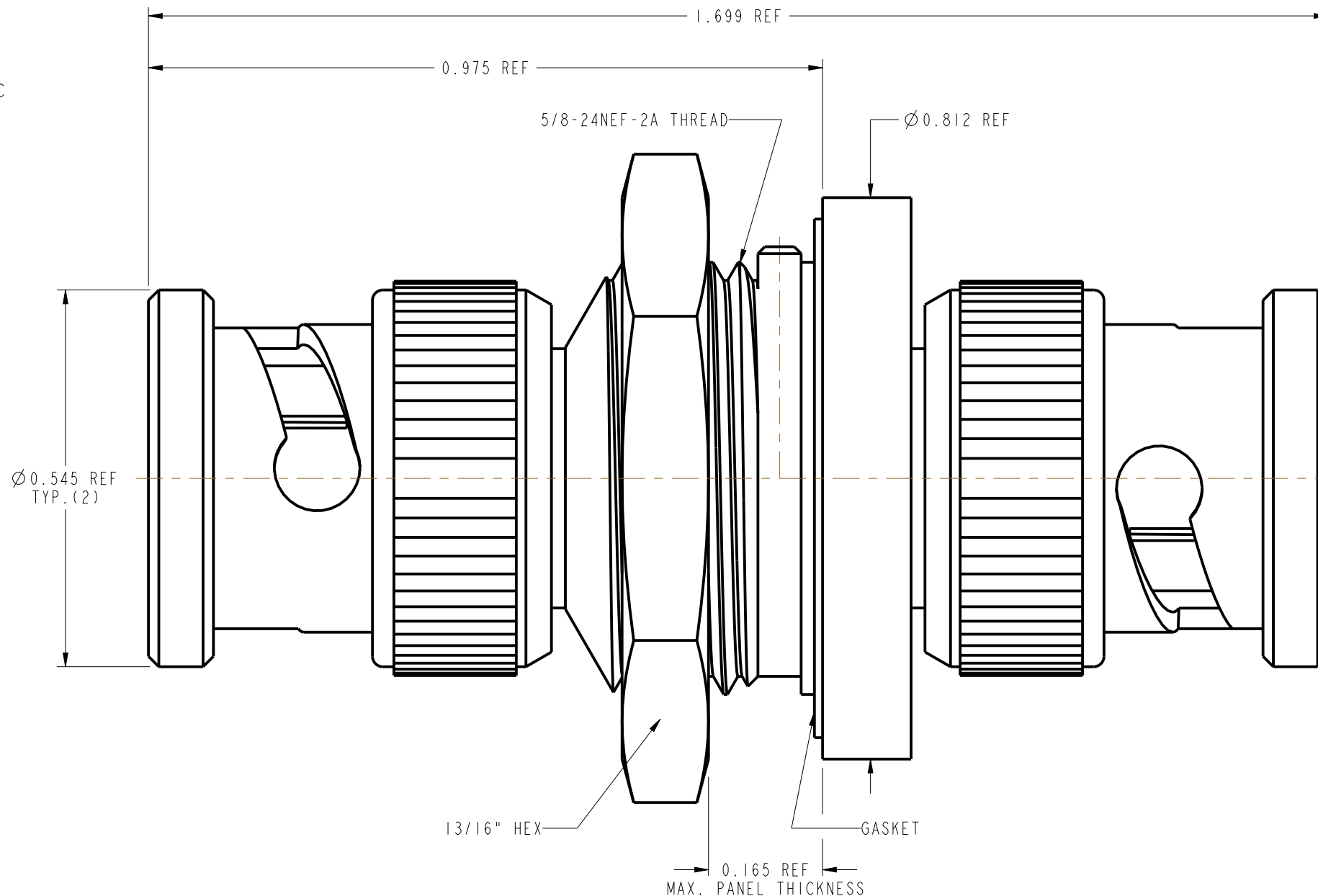
THIRD ANGLE PROJ.

REVISIONS

REV	DESCRIPTION	DATE	ECO	APPR
--	RELEASE TO MFG.	-----	-----	-----
L	ADDED COD, NO CHANGES	9/19/14	50147	AAP



SCALE 1.250



CUSTOMER OUTLINE DRAWING

ALL OTHER SHEETS ARE FOR INTERNAL USE ONLY

<p>UNLESS OTHERWISE SPECIFIED, DIMENSIONS ARE IN INCHES AND TOLERANCES ARE: 2 PLACE DECIMAL 3 PLACE DECIMAL ANGLES ±.015 (0,381 mm) ±.005 (0,127 mm) ± 1°</p> <p>NOTICE - These drawings, specifications, or other data (1) are, and remain the property of Amphenol corp. (2) must be returned upon request; and (3) are confidential and not to be disclosed to any person other than those to whom they are given by Amphenol Corp. the furnishing of these drawings, specifications, or other data by Amphenol Corp., or to any other person to anyone for any purpose is not to be regarded by implication or otherwise in any manner licensing, granting rights to permitting such holder or any other person to manufacture, use or sell any product, process or design, patented or otherwise, that may in any way be related to or disclosed by said drawings, specifications, or other data.</p>	<p>MATERIAL SEE NOTES</p>	<p>DRAWN A ARUN PRABU</p> <p>ENGINEER B.C. GLEISSNER</p>	<p>DATE 14-Aug-14</p> <p>DATE 14-Aug-14</p>	<p>TITLE BNC M-M ADAPTER, HERMETIC SEALED, PANEL MOUNTED</p>	<p>Amphenol RF www.amphenolrf.com</p>
	<p>REFERENCE GENERAL DYNAMICS C8307-2, REV A</p> <p>CONFIGURATION LEVEL: In Work</p> <p>FINISH</p>	<p>APPROVED K. CAPOZZI</p> <p>CAD FILE</p>	<p>DATE 9/10/14</p>	<p>SCALE: 5.0:1.0 SHEET 2 OF 2</p> <p>DWG SIZE B REV L</p>	<p>DRAWING NO. 75500</p> <p>ITEM NO. 75500</p> <p>PART NO. 75500</p>