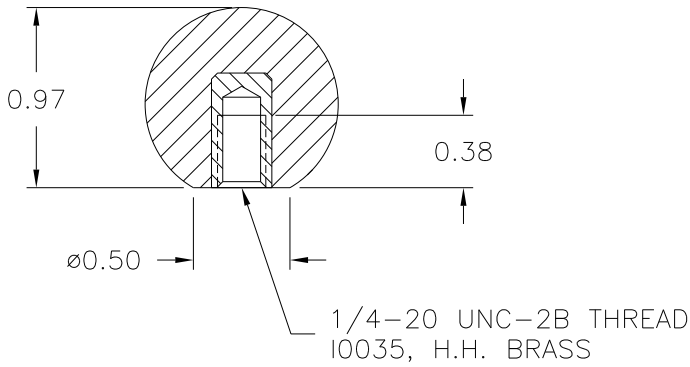
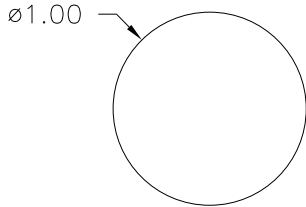


PART NAME: BALL KNOB	SCALE: 1:1	DATE: 8/3/92	DR. BY HD
THIS DRAWING IS THE PROPERTY OF DAVIES MOLDING COMPANY, IS SUBMITTED SOLELY AS A DESIGN OR ENGINEERING PROJECT. WE ACCEPT NO RESPONSIBILITY WHATSOEVER FOR THE PRACTICAL APPLICATION OF THE PIECES MADE TO THIS DESIGN.			

DAVIES MOLDING COMPANY
CAROL STREAM, ILLINOIS 60188

P/N	0030AB
M ^{NO.}	30
PINS	3003-11
SHIMS	1/4+1/4(30-J)
INSERT	I0035



MATERIAL: 02567 PHENOLIC (R67)
COLOR: RED

TOLERANCES: UNLESS OTHERWISE SPECIFIED	DO NOT SCALE DRAWING			
DECIMALS: X.XXX \pm .005 X.XX \pm .015	MM: X.XX \pm 0.15MM X.X \pm 0.4MM	-	REDRAWN	TL 10/28/99
FRACTIONS \pm 1/64	ANG. \pm 1°	CHANGES		