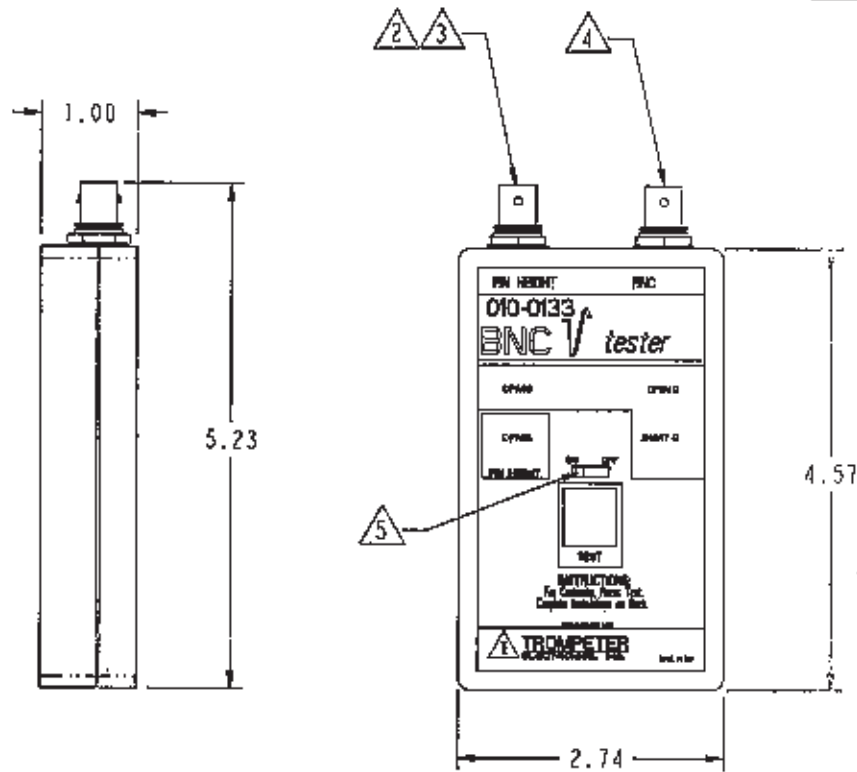
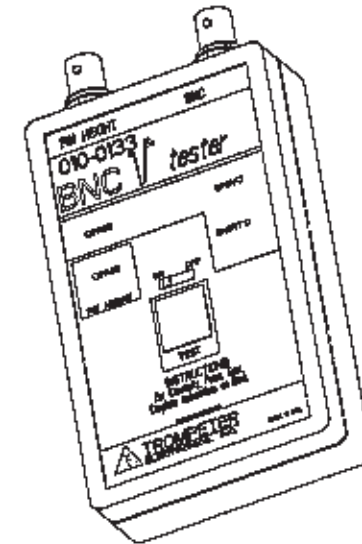


DATA CONTAINED IN THIS DOCUMENT IS PROPRIETARY TO TROMPETER ELECTRONICS INC. AND SHALL NOT BE DISCLOSED, COPIED OR USED FOR PROCUREMENT OR MANUFACTURE WITHOUT EXPRESS WRITTEN PERMISSION.

REVISIONS			DATE	APPROVED
REV	DESCRIPTIONS			
F	REVISED PER ECO 15600		8-19-04	WJ



RED INDICATES ORIGINAL



- 5 TO PRESERVE BATTERY, SWITCH TO OFF POSITION WHEN NOT IN USE
  - 4 USE 105-1885 ADAPTER FOR TESTING MINI-WECO CONNECTOR
  - 3 USE 010-0133-101 GO/NO-GO GAGE TO ASSURE PROPER CALIBRATION OF PIN HEIGHT TESTER
  - 2 PIN HEIGHT TO INDICATE "PASS" WHEN CONTACT IS .034 (MIN) SET BACK BEHIND SPRING FINGER; "FAIL" WHEN CONTACT IS .039 (MAX) SET BACK BEHIND SPRING FINGER
1. TESTER FOR PROPER ASSEMBLY OF BNC COAXIAL PLUGS, WITH CAPABILITY OF DETECTING CENTER CONTACT PIN HEIGHT, CONTINUITY, AND SHORT OR OPEN CIRCUIT

NOTES: UNLESS OTHERWISE SPECIFIED.

EXCEPT DRAWING PER MIL-STD-100. DIMENSIONS ARE IN INCHES AND INCLUDE FINISH TOLERANCES UNLESS OTHERWISE SPECIFIED.		MATERIAL: .XX ± .06	
REV	DATE	TITLE:	
TK	8-5-04	BNC TESTER (ELECTRICAL)	
APP	8-6-04	SIZE	CAGE CODE
CP5	8-19-04	A	14949
SP	8-18-04	DRAWING NO.	010-0133
APPROVED	8/16/04	SCALE	1/1
DATE	8/16/04	DATE	12-17-97
PHOTO DATE	8/16/04	SHEET	1 OF 3

**TROMPETER**  
RF connectivity  
a cinch connectivity solutions brand

NEXT ASSY	910-0133	DO NOT SCALE DWG	SCALE	1/1	DATE	12-17-97	SHEET	1 OF 3
-----------	----------	------------------	-------	-----	------	----------	-------	--------