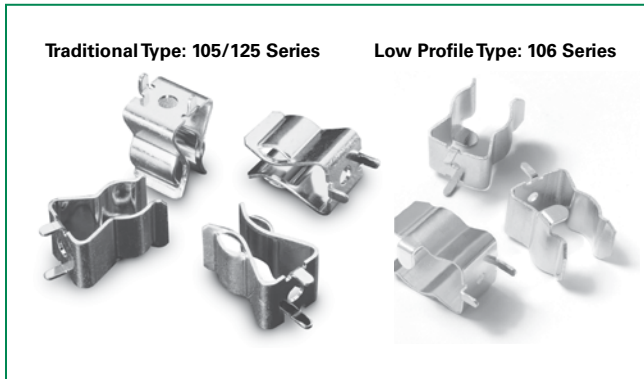


### 105/106/125 Series Circuit Board Mount Clips for Midget (13/32") Diameter Fuses



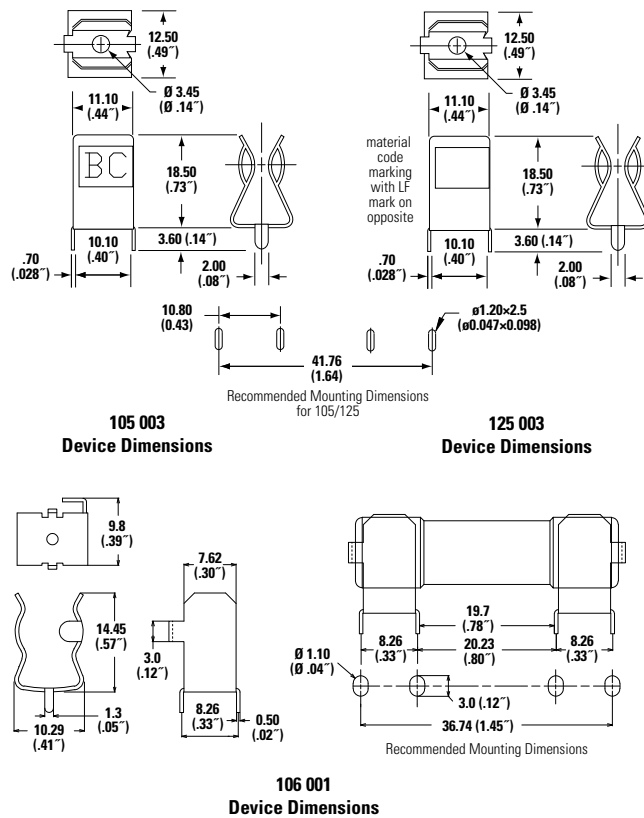
#### Product Characteristics

	105 Series	125 Series	106 Series
Compatible Fuse Size	13/32" Diameter Fuses (Midget Type Fuse)		
Current Levels	15A max	30A max	15A max

#### Agency Approval

Agency	Agency File Number		
	105 Series	125 Series	106 Series
<b>UL US</b>	E14721		N/A

#### Product Dimensions



#### Ordering Information

Ordering No.	Catalog No.	Clip Material*	Plating	Style	Packaging
01050003H	105 003	Spring Brass	Tin-plated	Ear	Bulk/100pcs
01250003H	125 003	Beryllium Copper	Tin-plated	Ear	Bulk/100pcs
01060001Z	106 001	Phosphor Bronze	Tin-plated	Ear	Bulk/100pcs

\*"H" = std. package 100 pcs per pack  
 "Z" = for bulk package

#### Additional Information



**Datasheet 105 Series**



**Datasheet 106 Series**



**Datasheet 125 Series**



**Resources 105 Series**



**Resources 106 Series**



**Resources 125 Series**



**Samples 105 Series**



**Samples 106 Series**



**Samples 125 Series**