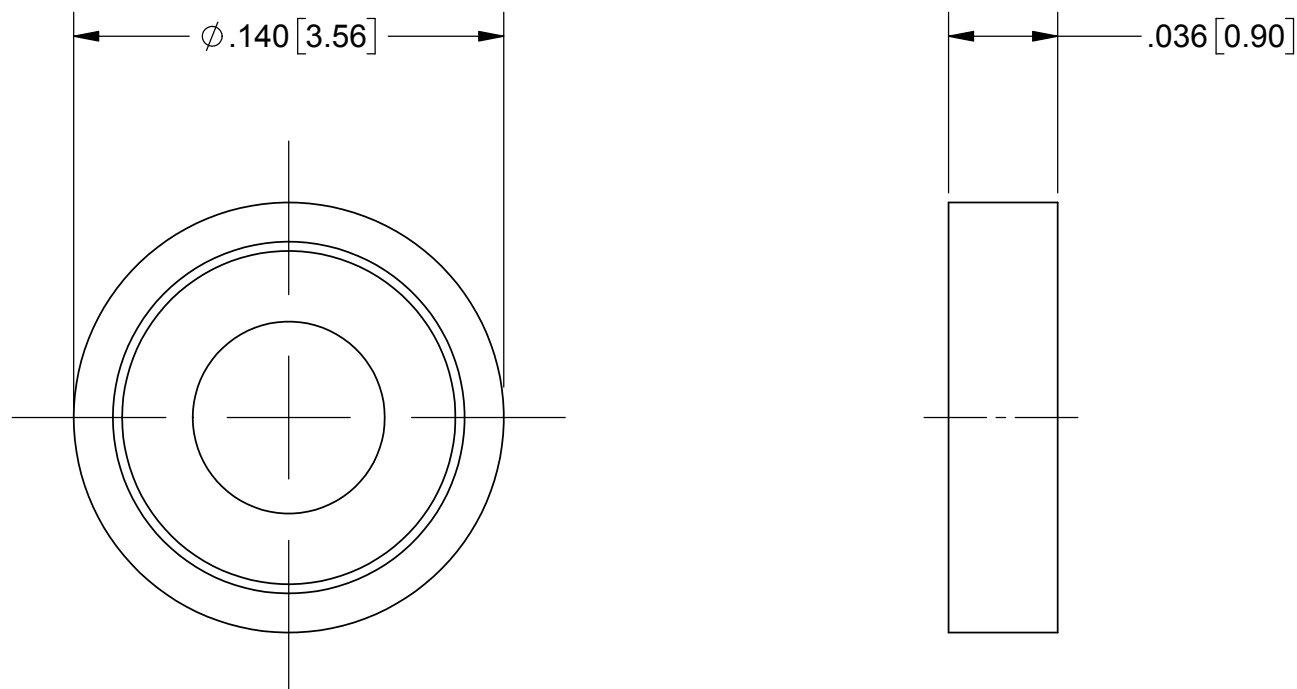
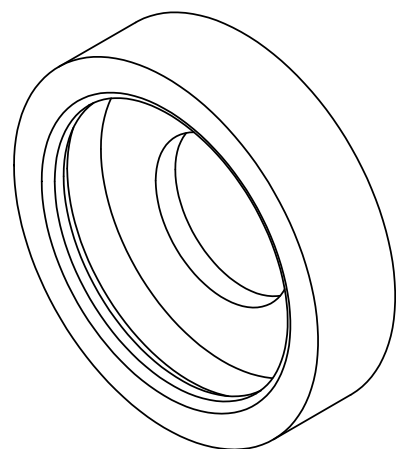


# PRODUCT DATA DRAWING

| REVISION HISTORY |             |      |          |
|------------------|-------------|------|----------|
| REV              | DESCRIPTION | DATE | APPROVED |
| -                | DCN 46856   | 9/17 | FSG      |
|                  |             |      |          |
|                  |             |      |          |




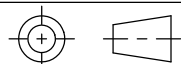
- NOTES:**
- FOR A FOOTPRINT RECOMMENDATION SPECIFIC TO YOUR PCB, PLEASE CONTACT US AT [applications@svmicro.com](mailto:applications@svmicro.com)

**MATERIAL:**

STAINLESS STEEL PER AMS-5640,  
ALLOY UNS S30300, TYPE 1;  
OR ASTM A582 TYPE 303, COND. A

**FINISH:**

GOLD PER ASTM B488, TYPE II,  
CODE C, CLASS .76, OVER NICKEL  
PER AMS-QQ-N-290, CLASS 1, .00005" MIN.

|   |   |  |   |  |
|---|---|--|---|--|
| MATERIAL: SEE NOTES   | DIMENSIONS ARE IN INCHES TOLERANCES:<br>FRACTIONAL: $\pm 1/64$ ANGULAR: X° $\pm 1'0''$<br>X°X' $\pm 15''$ | UNLESS OTHERWISE SPECIFIED<br>1) ALL DIMENSIONS ARE IN INCHES (MILLIMETERS)<br>2) ALL DIMENSIONS ARE AFTER PLATING.<br>3) BREAK CORNERS & EDGES .005 R. MAX.<br>4) CHAM. 1ST & LAST THREADS.<br>5) SURFACE ROUGHNESS 63-MIL-STD-10.<br>6) DIA. 'S ON COMMON CENTERS TO BE CONCENTRIC WITHIN .004 T.I.R.<br>7) REMOVE ALL BURRS | <br>2400 Centrepark West Drive, Suite 100<br>West Palm Beach, FL 33409 |  |
| FINISH: SEE NOTES   | DECIMAL: X $\pm .030$<br>.XX $\pm .010$<br>.XXX $\pm .005$  |  |   |  |
| SURFACE AREA: N/A   | INTERPRET DIMENSIONS AND TOLERANCES PER ASME Y14.5M - 1994  | THIRD ANGLE PROJECTION<br>  | TITLE: 3mm DETENT SHROUD  |  |
| PROPRIETARY<br>THE INFORMATION CONTAINED IN THIS DRAWING IS THE SOLE PROPERTY OF SV MICROWAVE, INC. ANY REPRODUCTION IN PART OR AS A WHOLE WITHOUT THE WRITTEN PERMISSION OF SV MICROWAVE, INC IS PROHIBITED. | DRAWN: GPF 9/26/17<br>CHECKED: FSG 9/26/17<br>APPROVED: FSG 9/26/17                                       |  | SIZE: B<br>CAGE CODE: 95077<br>SCALE: 16:1  | DWG. NO.: 012-80-484/185<br>SHEET 1 OF 1 |