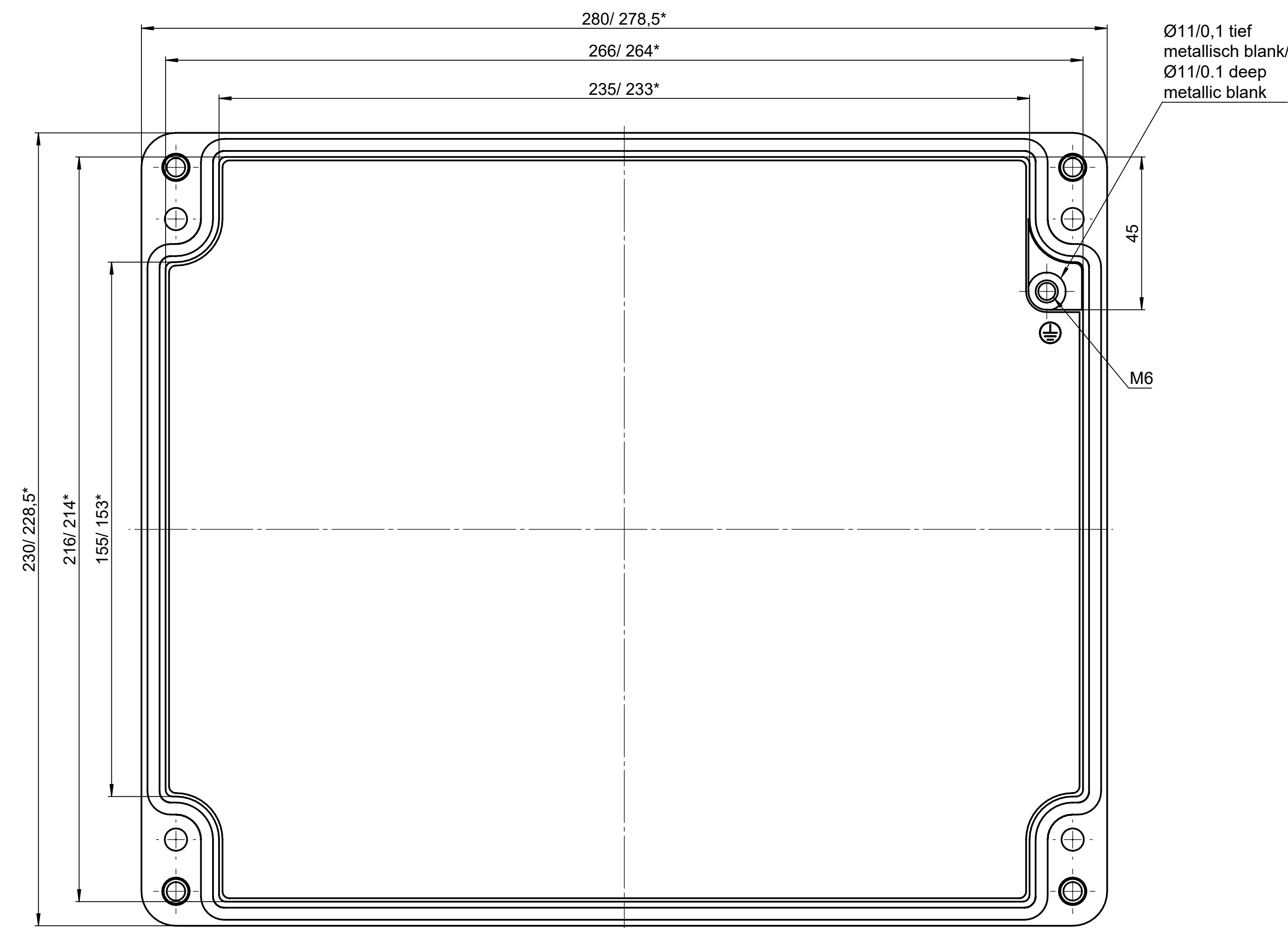
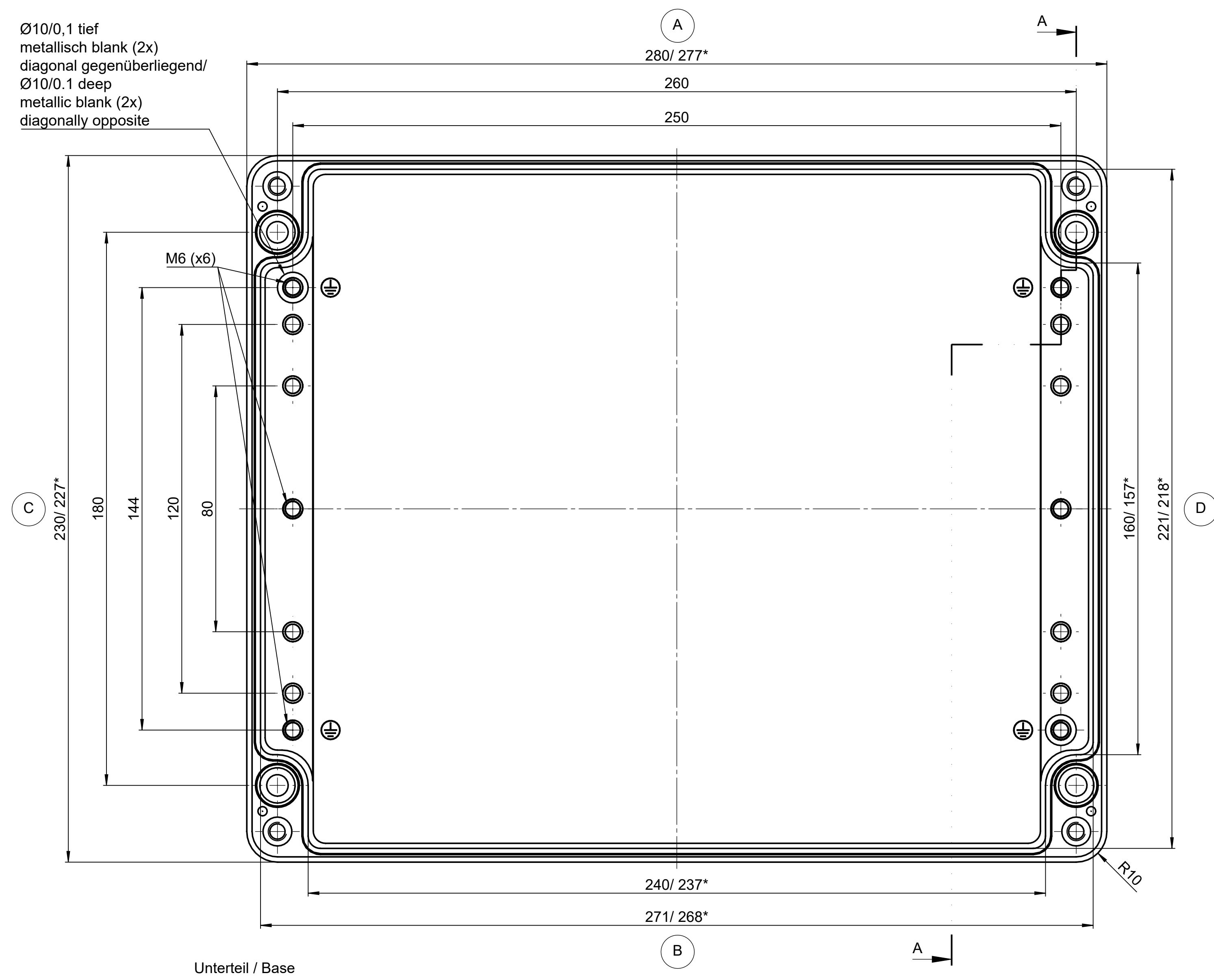


All rights reserved. No copies  
 from this drawing may be made  
 or used in any way  
 without the written permission  
 of the manufacturer.

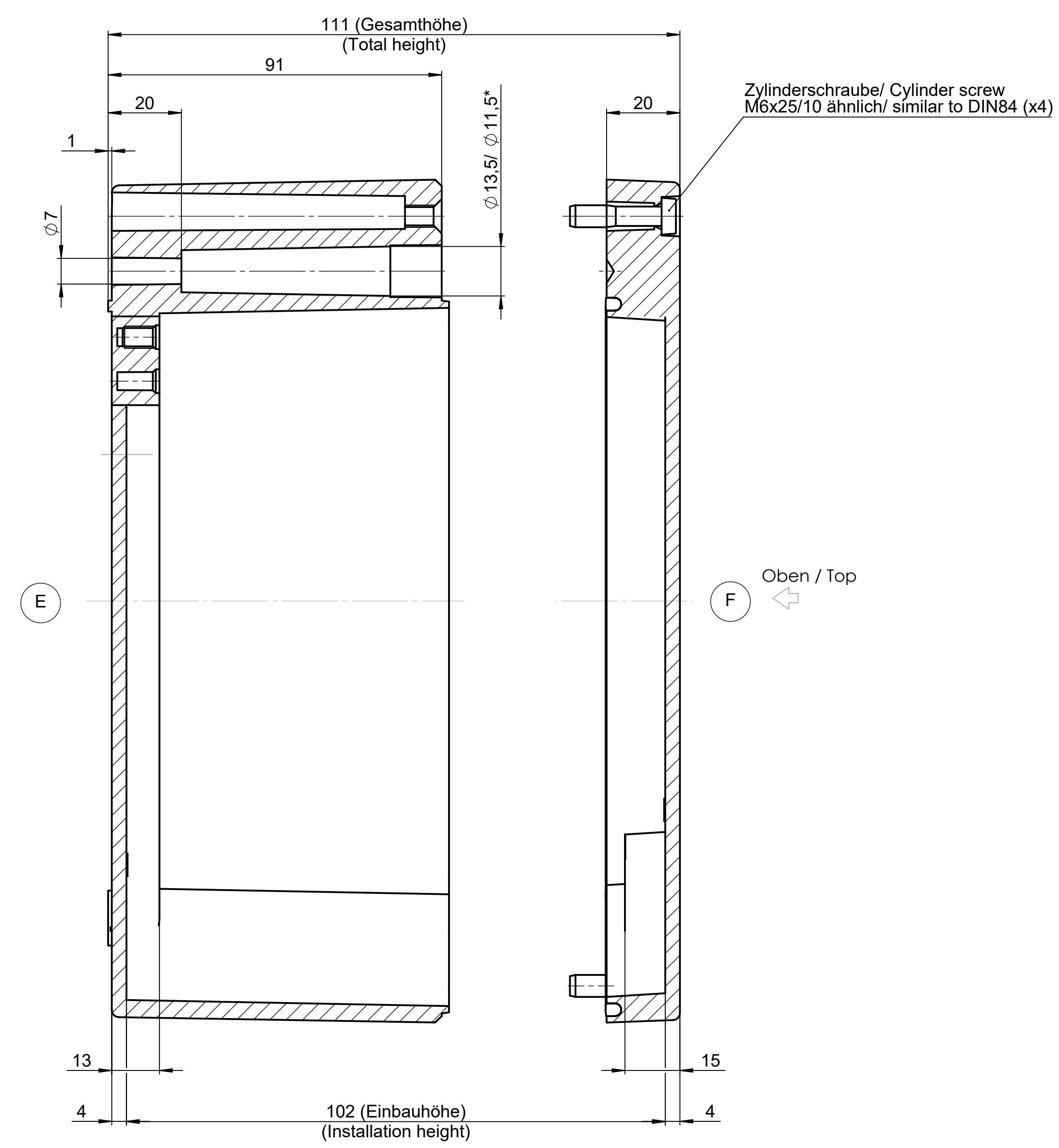


Deckel / Lid

\* = Mass durch Formkonizität nach unten verringert.  
 Freimass - Toleranz nach GTA 13/5 - DIN 1688  
 \* = Dimensions reduced in the lower part by mould incline  
 General tolerances according to GTA 13/5 - DIN 1688



Unterteil / Base



Index		Änderung/Modification		Datum/Date		Name		Projekt-Nr./Project-no.	
ROSE		Systemtechnik GmbH		09.11.16		D.Mac		3.20kg	
1:1		32457 Porta Westfalica		27.01.21		A.Hel		Gewicht/Weight	
DIN A0		Benennung/Description		Erstellt/created		Geprüft/checked		Werkstoff/Material	
		Aluminium Gehäuse						DIN 1688-GTA 13/5	
		Aluminium enclosure						KAT01.232811	