

### 125 Series Rivet/Eyelet and Circuit Board Mount Clips for Midget (13/32") Diameter Solar Fuses RoHS



#### Product Characteristics

|                             |                              |
|-----------------------------|------------------------------|
| <b>Compatible Fuse Size</b> | <b>13/32" Diameter Fuses</b> |
| Current Level               | 30 Amperes Max.              |

#### Features & Benefits

- Lead free product and RoHS compliant.
- Suitable for 13/32" diameter fuses
- Suitable for photovoltaic fuse applications
- Silver plating with antitarnish for high reliability applications
- Recognized to UL/CSA/NMX 4248-1
- Rivet mount for panel or through hole options for printed circuit boards

#### Agency Approval

| Agency | Agency File Number |
|--------|--------------------|
|        | E14721             |

#### Additional Information



**Datasheet**  
125 Series

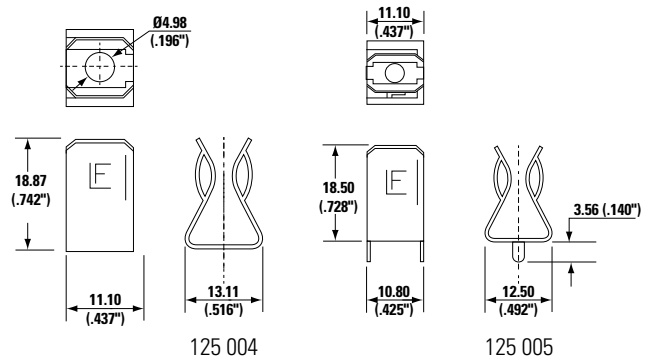


**Resources**  
125 Series



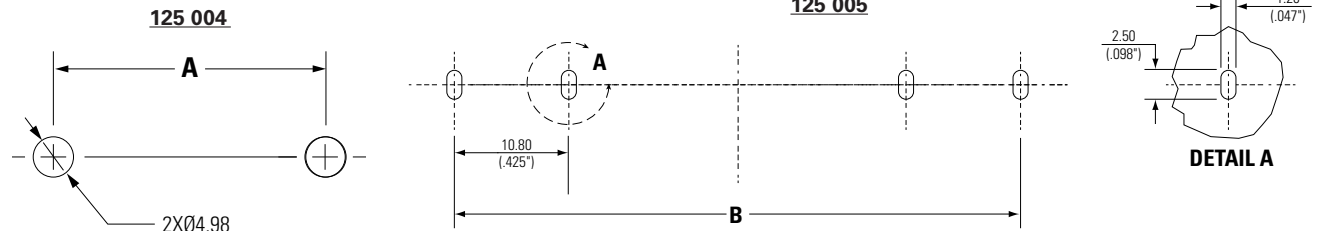
**Samples**  
125 Series

#### Product Dimensions in mm (inch)



#### Recommended Mounting Dimensions

| Nominal Fuse Length | "A" Length | "B" Length |
|---------------------|------------|------------|
| 38                  | 30.68      | 41.76      |
| 85                  | 77.24      | 88.24      |



### Soldering Parameters—Wave Soldering

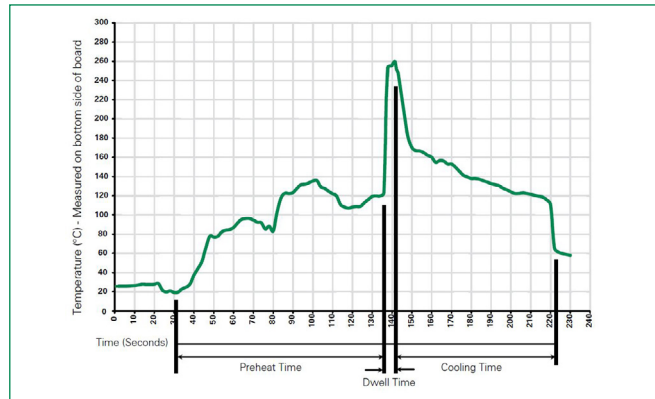
| Wave Parameter  | Lead-Free Recommendation          |
|---|-----------------------------------|
| <b>Preheat:</b><br>(Depends on Flex Activation Temperature) | (Typical Industry Recommendation) |
| Temperature Minimum   | 100 °C                            |
| Temperature Maximum   | 150 °C                            |
| Preheat Time  | 60–180 seconds                    |
| <b>Solder Pot Temperature</b>                               | 260 °C Maximum                    |
| <b>Solder Dwell Time</b>                                    | 2–5 seconds                       |

**Recommended Hand-Solder Parameters:**

Solder Iron Temperature: 350 °C +/- 5 °C

Heating Time: 5 seconds max.

**Note:** These devices are not recommended for IR or Convection Reflow process.



### Ordering Information

| Part Number                      | Catalog No. | Clip Material   | Plating                         | Style | Packaging         |
|----------------------------------|-------------|-----------------|---------------------------------|-------|-------------------|
| <b>Rivet/Eyelet Mount Clips</b>  |             |                 |                                 |       |                   |
| 01250004H                        | 125 004     | Phosphor Bronze | Silver-plated with Anti-tarnish | Ear   | Bulk (100 pieces) |
| <b>Circuit Board Mount Clips</b> |             |                 |                                 |       |                   |
| 01250005H                        | 125 005     | Phosphor Bronze | Silver-plated with Anti-tarnish | Ear   | Bulk (100 pieces) |