

### 125 Series Rivet/Eyelet and Circuit Board Mount Clips for Midget (13/32") Diameter Solar Fuses RoHS



#### Product Characteristics

<b>Compatible Fuse Size</b>	<b>13/32" Diameter Fuses</b>
Current Level	30 Amperes Max.

#### Features & Benefits

- Lead free product and RoHS compliant.
- Suitable for 13/32" diameter fuses
- Suitable for photovoltaic fuse applications
- Silver plating with antitarnish for high reliability applications
- Recognized to UL/CSA/NMX 4248-1
- Rivet mount for panel or through hole options for printed circuit boards

#### Agency Approval

Agency	Agency File Number
	E14721

#### Additional Information



**Datasheet**  
125 Series

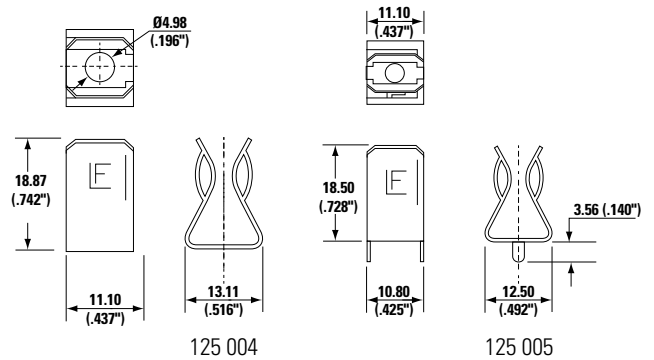


**Resources**  
125 Series



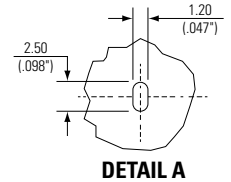
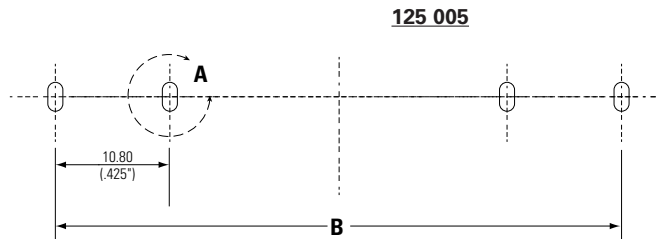
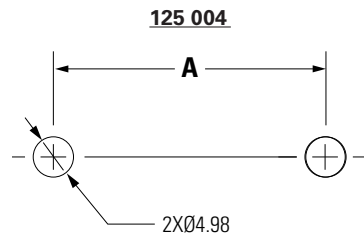
**Samples**  
125 Series

#### Product Dimensions in mm (inch)



#### Recommended Mounting Dimensions

Nominal Fuse Length	"A" Length	"B" Length
38	30.68	41.76
85	77.24	88.24



### Soldering Parameters—Wave Soldering

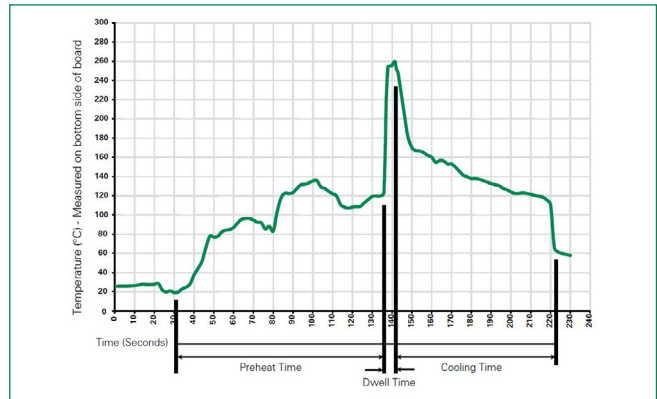
Wave Parameter	Lead-Free Recommendation
<b>Preheat:</b> (Depends on Flex Activation Temperature)	(Typical Industry Recommendation)
Temperature Minimum	100 °C
Temperature Maximum	150 °C
Preheat Time	60–180 seconds
<b>Solder Pot Temperature</b>	260 °C Maximum
<b>Solder Dwell Time</b>	2–5 seconds

**Recommended Hand-Solder Parameters:**

Solder Iron Temperature: 350 °C +/- 5 °C

Heating Time: 5 seconds max.

**Note:** These devices are not recommended for IR or Convection Reflow process.



### Ordering Information

Part Number	Catalog No.	Clip Material	Plating	Style	Packaging
<b>Rivet/Eyelet Mount Clips</b>					
01250004H	125 004	Phosphor Bronze	Silver-plated with Anti-tarnish	Ear	Bulk (100 pieces)
<b>Circuit Board Mount Clips</b>					
01250005H	125 005	Phosphor Bronze	Silver-plated with Anti-tarnish	Ear	Bulk (100 pieces)