

125 Series Rivet/Eyelet and Circuit Board Mount Clips for Midget (13/32") Diameter Solar Fuses RoHS



Product Characteristics

| | |
|-----------------------------|------------------------------|
| Compatible Fuse Size | 13/32" Diameter Fuses |
| Current Level | 30 Amperes Max. |

Features & Benefits

- Lead free product and RoHS compliant.
- Suitable for 13/32" diameter fuses
- Suitable for photovoltaic fuse applications
- Silver plating with antitarnish for high reliability applications
- Recognized to UL/CSA/NMX 4248-1
- Rivet mount for panel or through hole options for printed circuit boards

Agency Approval

| Agency | Agency File Number |
|--------|--------------------|
| | E14721 |

Additional Information



Datasheet
125 Series

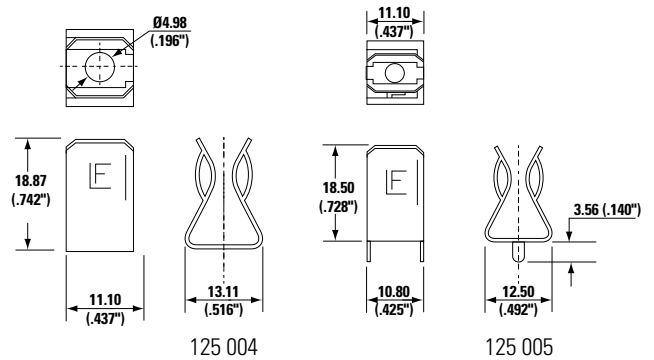


Resources
125 Series



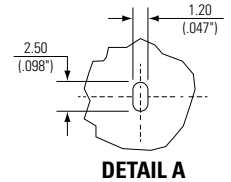
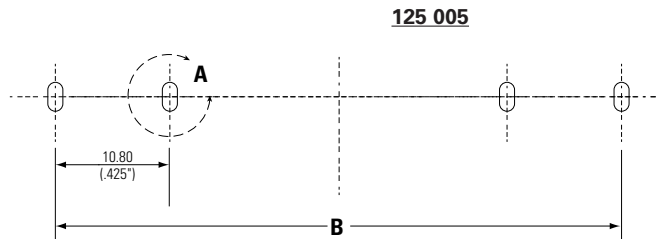
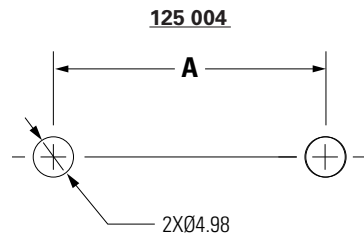
Samples
125 Series

Product Dimensions in mm (inch)



Recommended Mounting Dimensions

| Nominal Fuse Length | "A" Length | "B" Length |
|---------------------|------------|------------|
| 38 | 30.68 | 41.76 |
| 85 | 77.24 | 88.24 |



Soldering Parameters—Wave Soldering

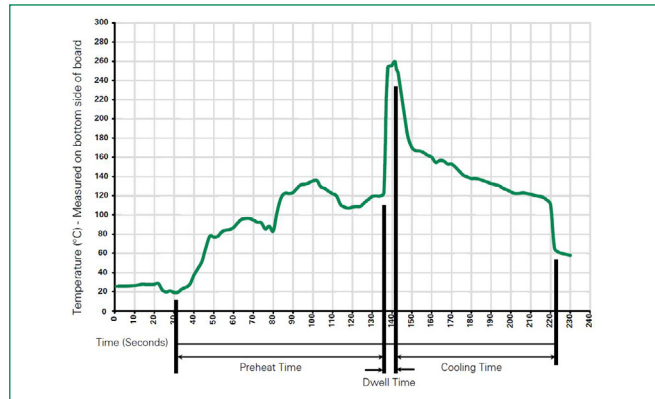
| Wave Parameter | Lead-Free Recommendation |
|---|-----------------------------------|
| Preheat: (Depends on Flex Activation Temperature) | (Typical Industry Recommendation) |
| Temperature Minimum | 100 °C |
| Temperature Maximum | 150 °C |
| Preheat Time | 60–180 seconds |
| Solder Pot Temperature | 260 °C Maximum |
| Solder Dwell Time | 2–5 seconds |

Recommended Hand-Solder Parameters:

Solder Iron Temperature: 350 °C +/- 5 °C

Heating Time: 5 seconds max.

Note: These devices are not recommended for IR or Convection Reflow process.



Ordering Information

| Part Number | Catalog No. | Clip Material | Plating | Style | Packaging |
|----------------------------------|-------------|-----------------|---------------------------------|-------|-------------------|
| Rivet/Eyelet Mount Clips | | | | | |
| 01250004H | 125 004 | Phosphor Bronze | Silver-plated with Anti-tarnish | Ear | Bulk (100 pieces) |
| Circuit Board Mount Clips | | | | | |
| 01250005H | 125 005 | Phosphor Bronze | Silver-plated with Anti-tarnish | Ear | Bulk (100 pieces) |