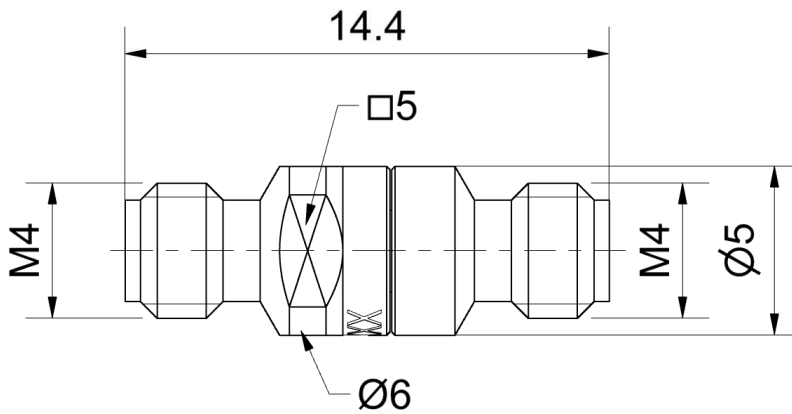
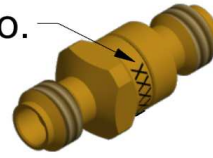


RPC-1.00

Adaptor  
Jack/Jack

01K101-K20D3

serial ident.no.



All dimensions are in mm; tolerances according to ISO 2768 m-H

**Interface**

According to IEC 61169-31

**Documents**

N/A

**Material and plating**

**Connector parts**

Center conductor  
Outer conductor  
Dielectric

**Material**

CuBe  
CuBe or equiv.  
PEEK

**Plating**

Gold, min. 1.27 µm, over nickel  
Gold, min. 1.27 µm, over nickel

Dieses Dokument ist urheberrechtlich geschützt • This document is protected by copyright • Rosenberger Hochfrequenztechnik GmbH & Co. KG

RF\_35/09;14/6.2

# Technical Data Sheet

# Rosenberger

RPC-1.00

Adaptor  
Jack/Jack

01K101-K20D3

## Electrical data

Frequency	DC to 110 GHz
Return loss	≥ 20 dB, DC to 20 GHz
	≥ 17 dB, 20 GHz to 50 GHz
	≥ 15 dB, 50 GHz to 75 GHz
	≥ 12 dB, 75 GHz to 110 GHz

## Mechanical data

Mating cycles	≥ 500
Maximum torque	0.70 Nm
Recommended torque	0.35 Nm
Gauge	0.00 mm to 0.03 mm

## General standard definitions

For proper operation the vector network analyzer (VNA) needs a model describing the electrical behaviour of this standard. The different models, units, and terms used will depend on the VNA type and they will have to be entered into the VNA. All values are based on typical geometry and plating.

Offset $Z_0$ / Impedance / $Z_0$	50 $\Omega$
Offset Delay	39.094 ps
Length (electrical) / Offset Length	11.72 mm
Offset Loss	7.90 G $\Omega$ /s
Loss	0.0268 dB/ $\sqrt{\text{GHz}}$

## Environmental data

Operating temperature range <sup>1</sup>	+20 °C to +26 °C
Rated temperature range of use <sup>2</sup>	0 °C to +50 °C
Storage temperature range	-40 °C to +85 °C

RoHS compliant

<sup>1</sup> Temperature range over which these specification are valid.

<sup>2</sup> This range is underneath and above the operating temperature range, within the adaptor is fully functional and could be used without damage.

## Packing

Standard	1 pce in box
Weight	1.5 g/pce

While the information has been carefully compiled to the best of our knowledge, nothing is intended as representation or warranty on our part and no statement herein shall be construed as recommendation to infringe existing patents. In the effort to improve our products, we reserve the right to make changes judged to be necessary.

Draft	Date	Approved	Date	Rev.	Engineering change number	Name	Date
Herbert Babinger	23.03.06	Lars Ramtke	28.03.17	h00	17-0518	Marcel Panicke	28.03.17
Rosenberger Hochfrequenztechnik GmbH & Co. KG P.O.Box 1260 D-84526 Tittmoning Germany www.rosenberger.de						Tel. : +49 8684 18-0 Email : info@rosenberger.de	
							Page 2 / 2