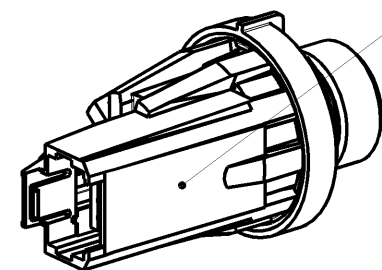
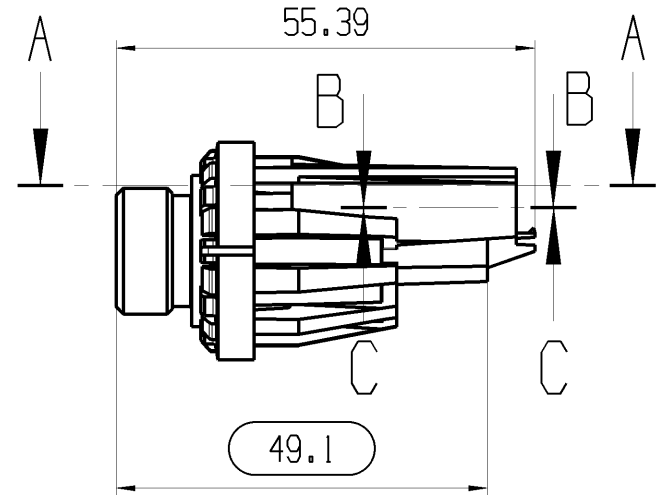
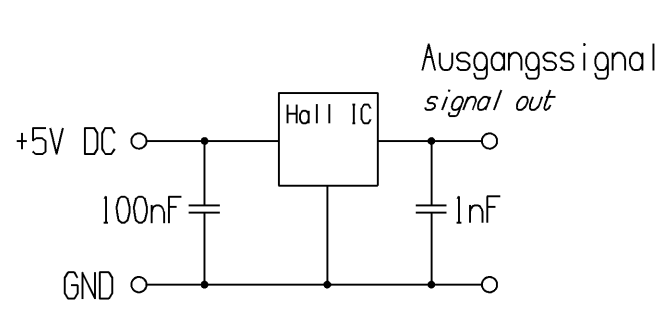


© THIS DRAWING IS THE EXCLUSIVE PROPERTY OF MARQUARDT. WITHOUT THEIR CONSENT IT MAY NOT BE REPRODUCED OR GIVEN TO THIRD PARTIES.

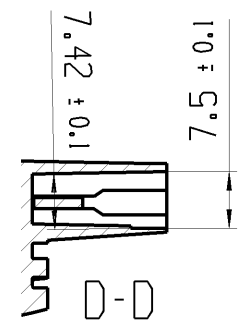
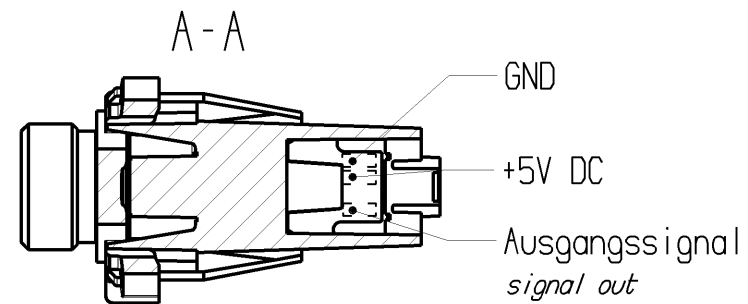
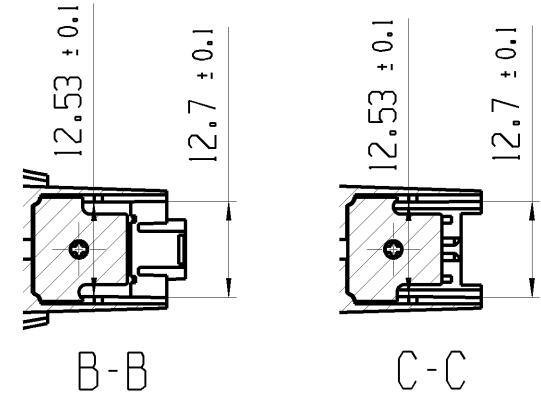
CONFIDENTIAL

VERTRAULICH

© Alle Rechte bei Marquardt, auch fuer den Fall von Schutzrechtsminderungen. Jede Veruegungsbefugnis, wie Kopier- und Weitergaberecht, bei uns.



Aufschrift: Aufdruck oder Etikett
 Aufdruck:
 Produktionsdatum: XXXXXXXXXX
 MQ Produktnummer und Index: 2066.2103-XX
 Etikett:
 Logo, MQ Produktnummer und Index: ©2066.2103-XX
 Produktionsdatum: XXXXXXXXXXXXXXXX
 Versorgungsspannung: 5 VDC max 14 mA
Marking: printing or label
 printing:
 date code: XXXXXXXXXX
 MQ product number and index: 2066.2103-XX
 label:
 logo, MQ product number and index: ©2066.2103-XX
 date code: XXXXXXXXXXXXXXXX
 Supply voltage: 5 VDC max 14 mA



Ausgangssignal U ist proportional zum Eingangsdruck von 1.125 V bis 3.8 V(FSI)
 Toleranzen:

output signal U proportional to input pressure from 1.125V to 3.8 V(FSI)
 tolerances:

Ausgangsspannung U in Volt
 output voltage U in Volt

Druck p in bar
 Pressure p in bar

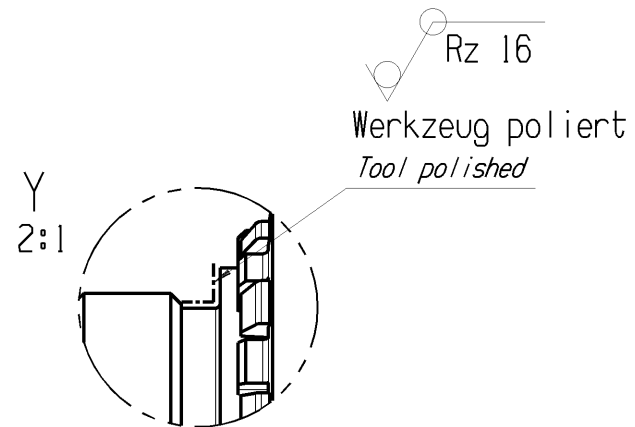
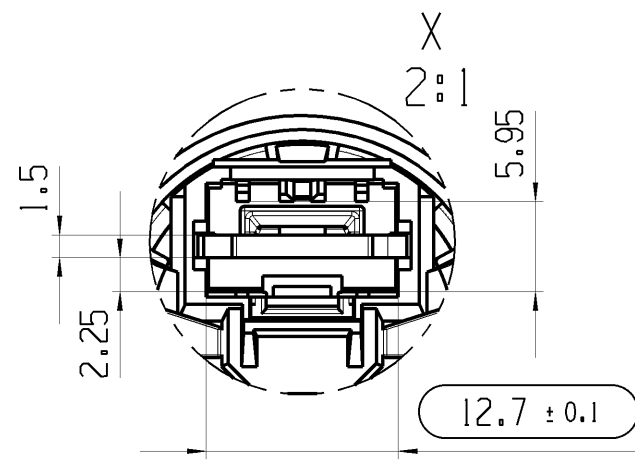
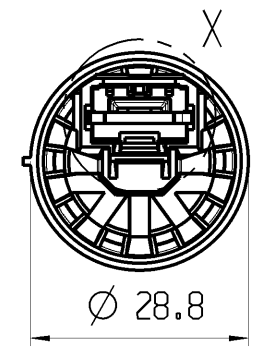
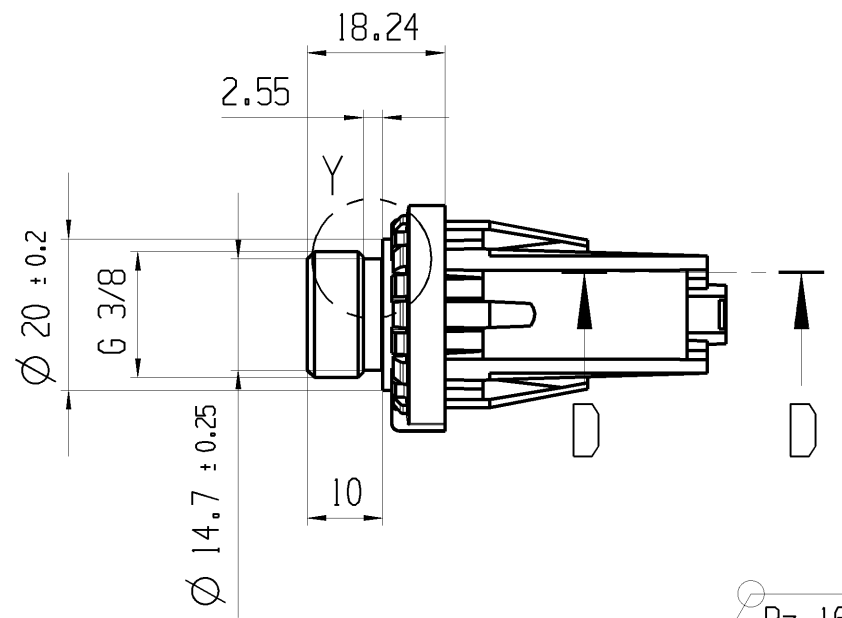
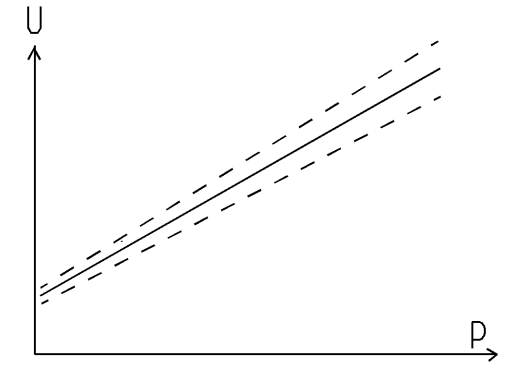
Toleranzen von 0 Bar bis 4,5 Bar
 Tolerances from 0 Bar to 4,5 Bar

$$U_{max} = 0.58 \times p + 1.23$$

$$U_{nom} = 0.55 \times p + 1.125$$

$$U_{min} = 0.52 \times p + 1.02$$

Sensorsignal Ausgangskennlinie
 sensor signal output curve



| | | | | | | | | | | |
|-----------------------------------|-------------------------------|-------------------|---------------------------------|--------------------------|------------|--------------|-------|---------------|--------------------------|-----------|
| - | | - | | - | | 2066.2103-XX | | | | |
| Figure | Type | Customer No. | | Art.No.-PI | | | | | | |
| General tolerances | | | | | | Sheet 01 | | Ident. K | Document number 20662103 | Index J |
| All dimensions are in millimetres | Shape and location ⊙ ≡ 0.1 | Angle ± 2° | Edge tolerance +0.25 0 -0.25 | Length | 0-6 ± 0.15 | Radii | ± 0.2 | Format DIN A3 | Projection | Scale 1:1 |
| | | | | >6-15 | ± 0.2 | ± 0.3 | | | | |
| | | | | >15-30 | ± 0.25 | ± 0.5 | | | | |
| | | | | >30-70 | ± 0.4 | | | | | |
| | | | | >70-120 | ± 0.6 | ± 10% | | | | |
| >120 | ± 1 | | | | | | | | | |
| J | 115015 | 2018-04-04 | DR1 | System NX V8.5 | | | | | | |
| i | 90924 | 2014-08-07 | NAM | Replacement of V04182340 | | | | | | |
| h | 90072 | 2014-06-16 | NAM | | | | | | | |
| g | 87746 | 2013-12-03 | NAM | | | | | | | |
| Index | ECN-No. | Date (YYYY-MM-DD) | Edited by | | | | | | | |