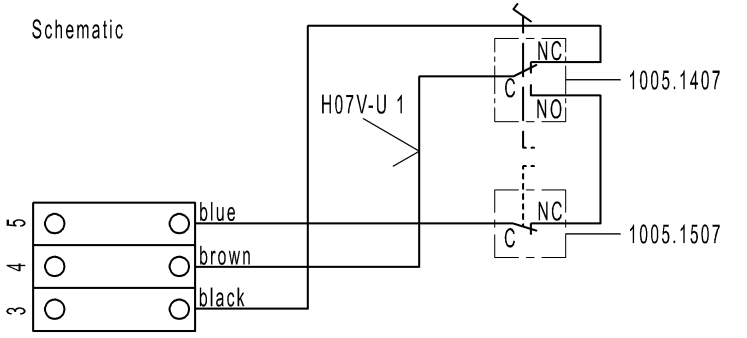
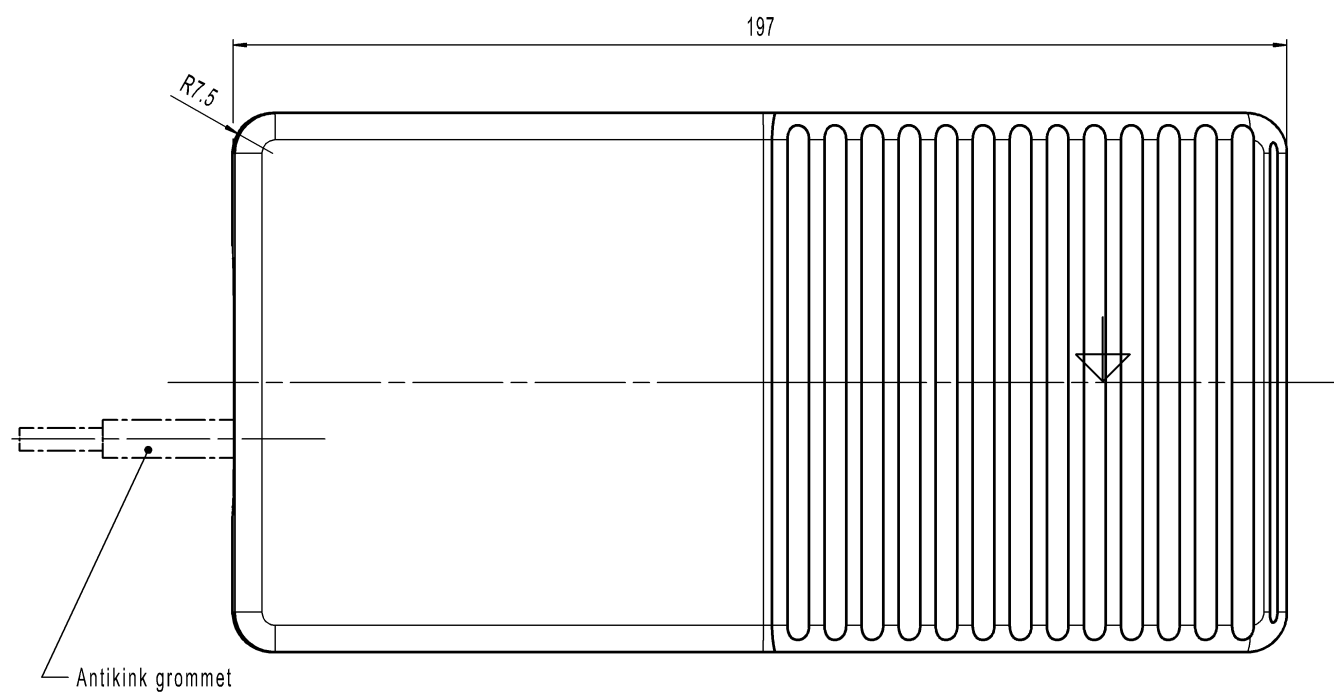
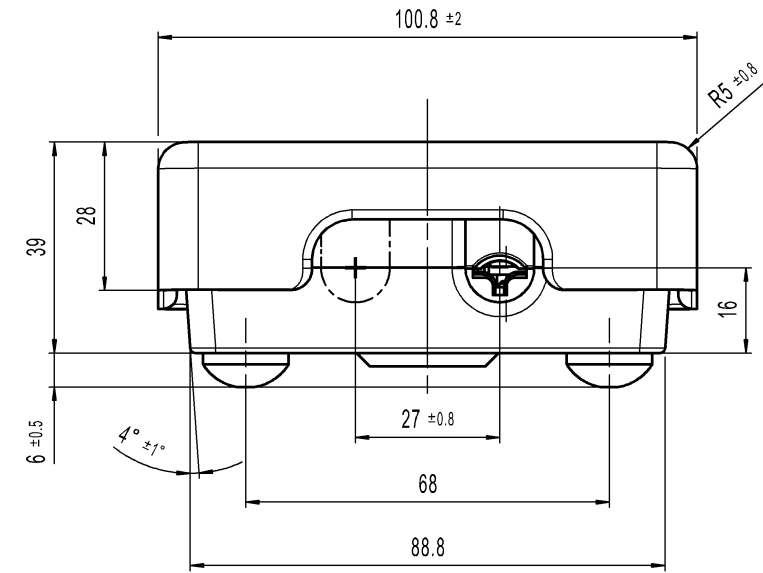
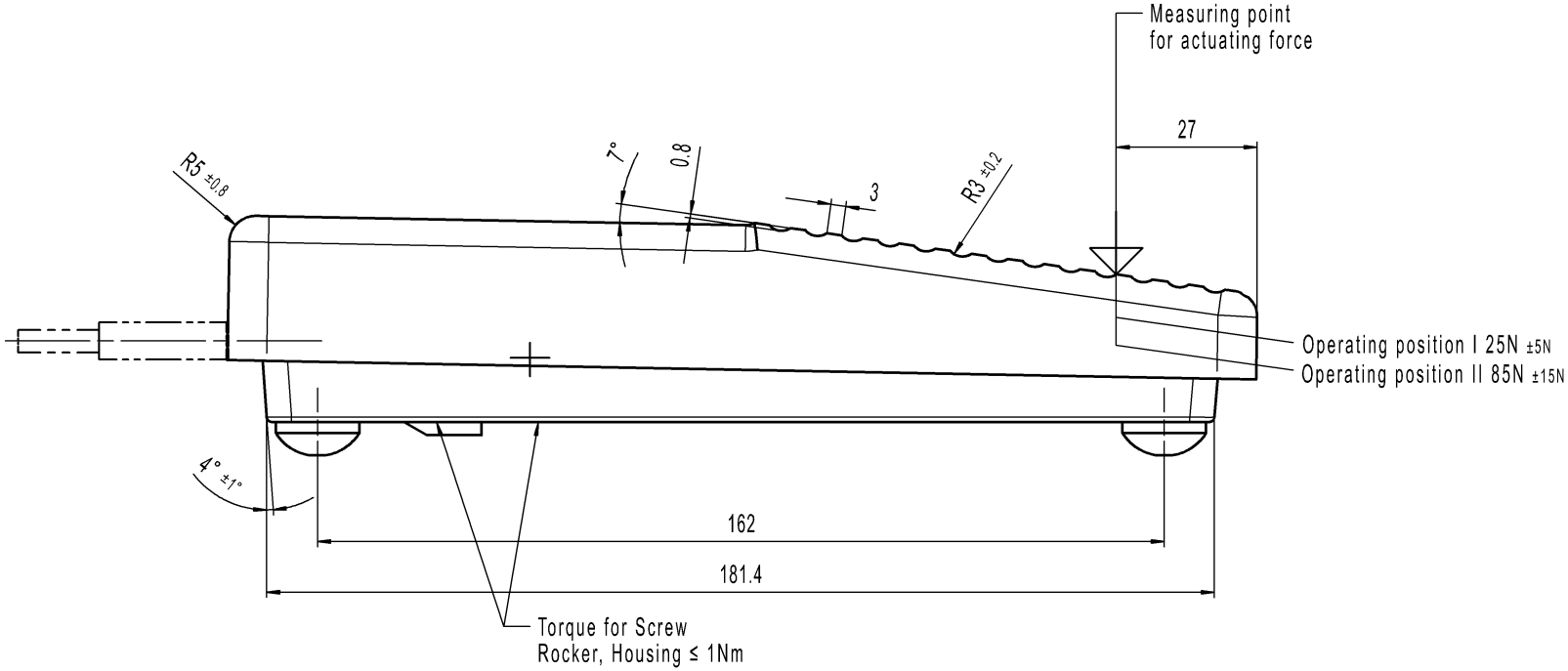


THIS DRAWING IS THE EXCLUSIVE PROPERTY OF MARQUARDT. REPRODUCTION WITHOUT THEIR CONSENT MAY NOT BE REPRODUCED OR GIVEN TO THIRD PARTIES.

CONFIDENTIAL

VERTRAULICH

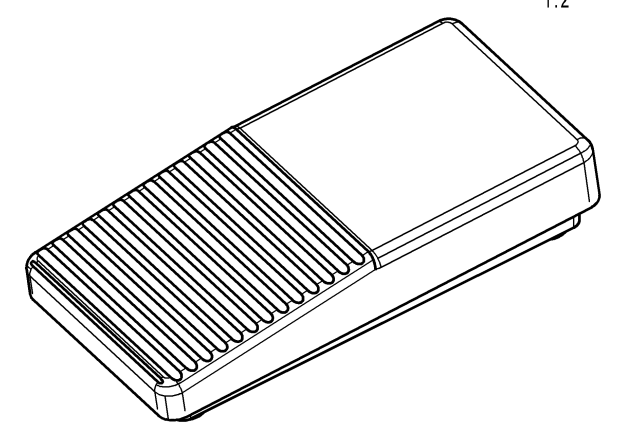
Alle Rechte bei Marquardt, auch hier den Fall von Schutzrechtsverletzungen, jede Verletzungsbegriffs, wie Kopier- und Weitergaberecht, bei uns.



Upper part and bottom part
Material: Polyamide
Color: black, similar RAL 9011

Single pole change-over
Single pole normally closed

Marking
© MARQUARDT
2410.0101 μ
6(2.5)/250-50E3



Operating position I (Measured at start position) ≈ 2.3mm
Operating position II (Measured at start position) ≈ 8mm
Measured at outer edge of upper part

Schematic

-		-		2410.0101-XX	
Figure	Type			Customer Part No.	Art.No.-PI
Shape and location	Angle ± °	Length		Sheet 01	Ident. Document number Index
	Edge tolerance	0-6	7-15	16-30	K 24100101 I
© ≡		0-6	7-15	16-30	Foot Pressure Switch
		31-45	46-60	61-75	
i	131778	2022-02-01	KELBOUSSIM		All dimensions are in millimetres
k	131778	2020-11-05	THAKARES		
j	41282	2004-10-21	BZ		System NX V1872
i	30220	2000-09-27	PFU		Replacement of
Index	MEC-No.	Date (YYYY-MM-DD)	Edited by		Zg.gl.Nr.v.26.04.1994

