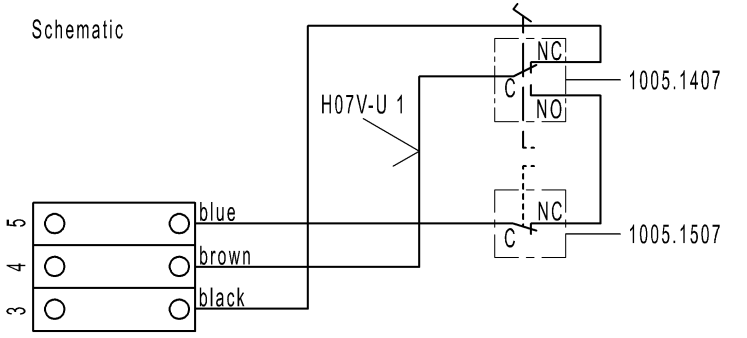
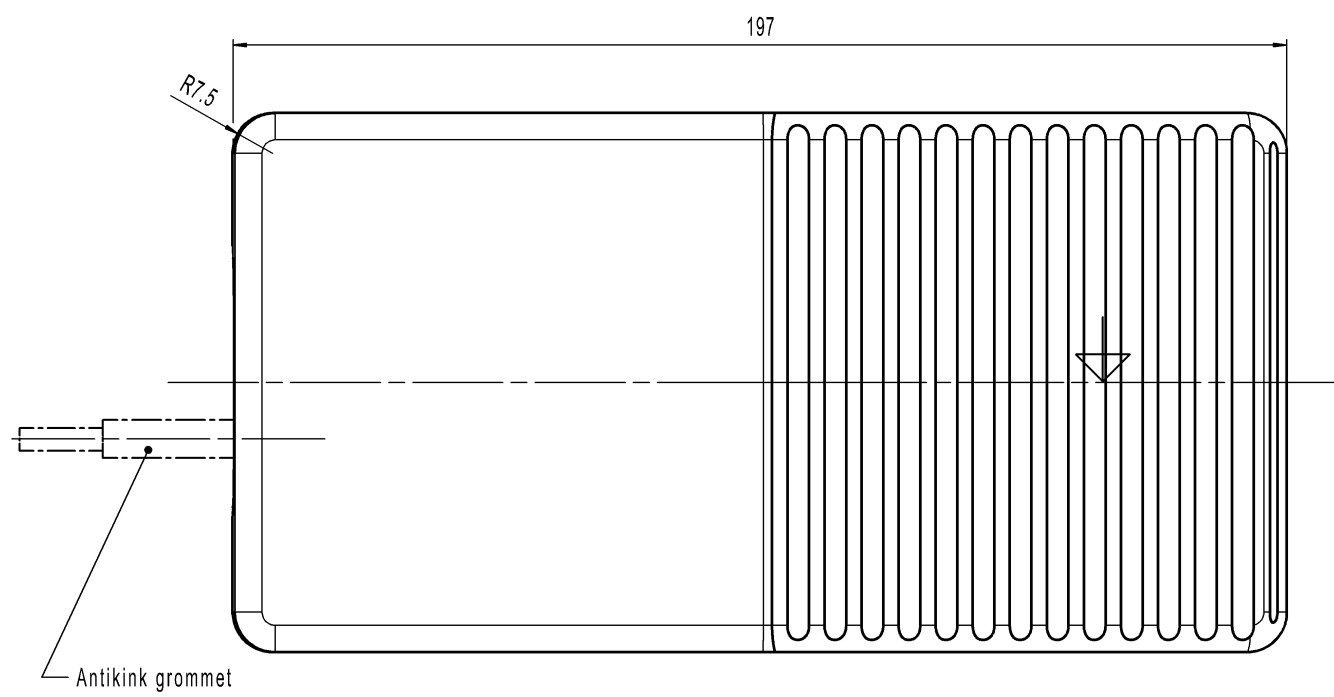
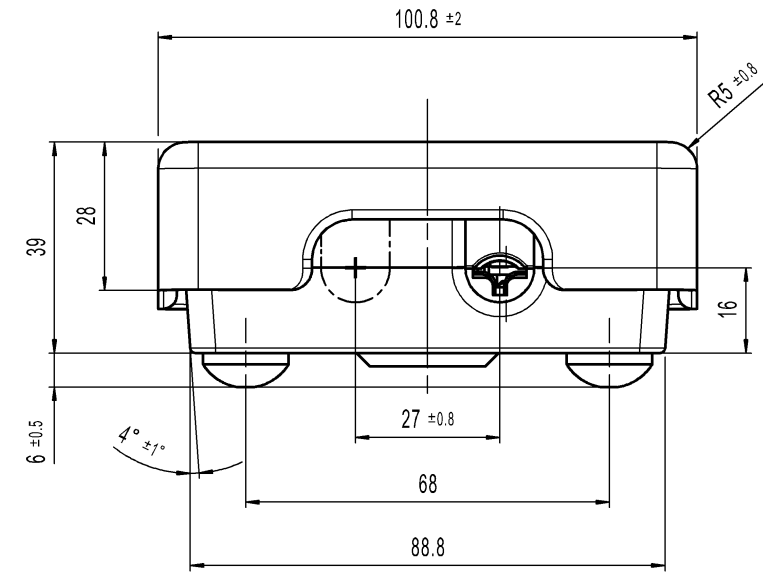
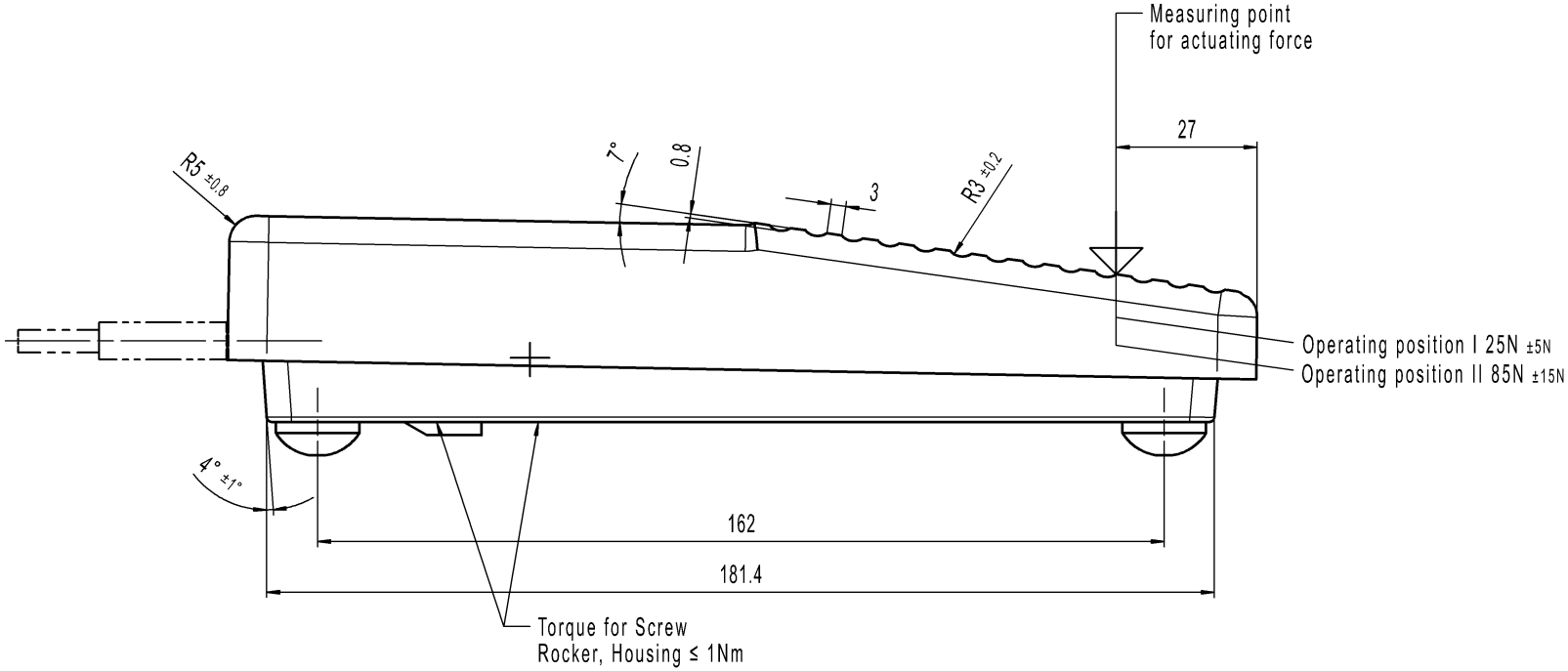


THIS DRAWING IS THE EXCLUSIVE PROPERTY OF MARQUARDT. REPRODUCTION WITHOUT THEIR CONSENT MAY NOT BE REPRODUCED OR GIVEN TO THIRD PARTIES.

CONFIDENTIAL

VERTRAULICH

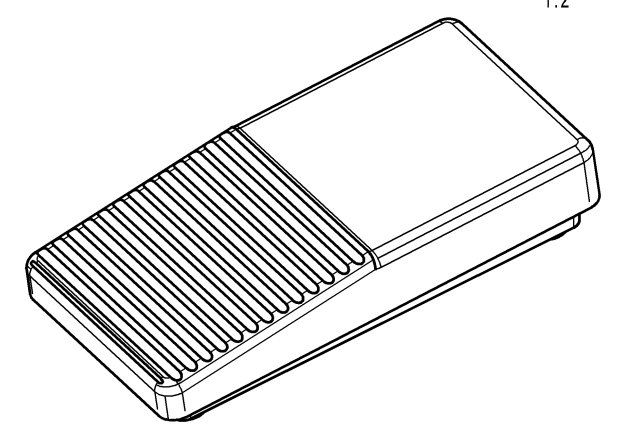
Alle Rechte bei Marquardt, auch hier den Fall von Schutzrechtsverletzungen, jede Veräußerung, Belegs, wie Kopier- und Weitergaberecht, bei uns.



Upper part and bottom part
Material: Polyamide
Color: black, similar RAL 9011

Single pole change-over
Single pole normally closed

Marking
© MARQUARDT
2410.0101 μ
6(2.5)/250-50E3



Operating position I (Measured at start position) ≈ 2.3mm
Operating position II (Measured at start position) ≈ 8mm
Measured at outer edge of upper part

Schematic

-		-		2410.0101-XX	
Figure	Type	Customer Part No.		Art.No.-PI	
Shape and location	Angle ± °	0-6	+ 0.15	6-6	±
	Edge tolerance	>6-15	+ 1	>6-15	±
© ≡		>15-30	+ 1	>15-30	±
		>30-70	+ 1.5	>30-200	±
		>70-120	+ 1.5		
		>120-200	+ 1.5		
i	137878	2022-02-01	KELBOUSSIM	Sheet 01	Ident. K
k	131778	2020-11-05	THAKARES	Projection	Document number 24100101
j	41282	2004-10-21	BZ	Scale 1:1	Index I
i	30220	2000-09-27	PFU	All dimensions are in millimetres	Foot Pressure Switch
Index	MEC-No.	Date (YYYY-MM-DD)	Edited by	System NX V1872	
				Replacement of Zg.gl.Nr.v.26.04.1994	