

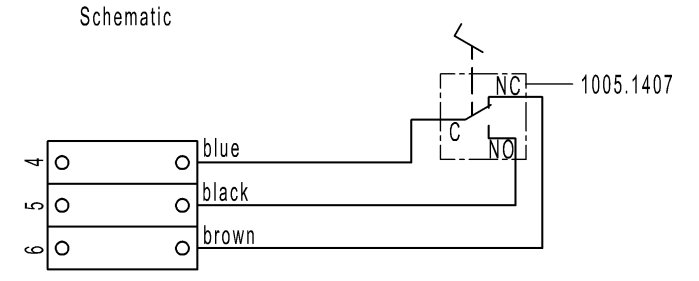
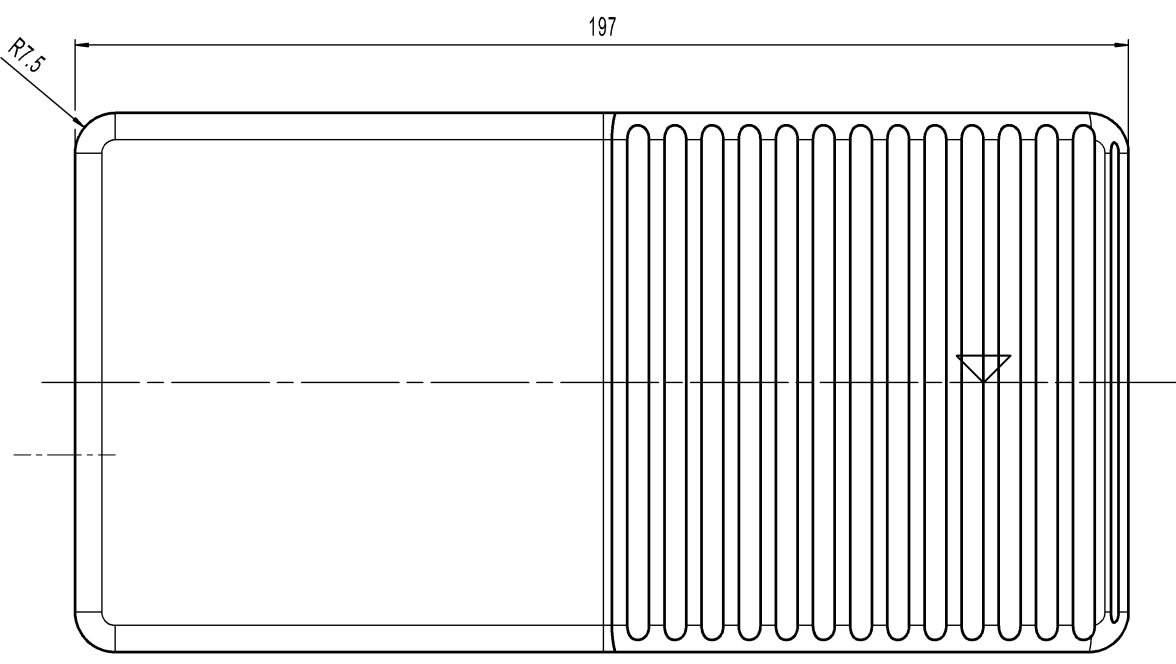
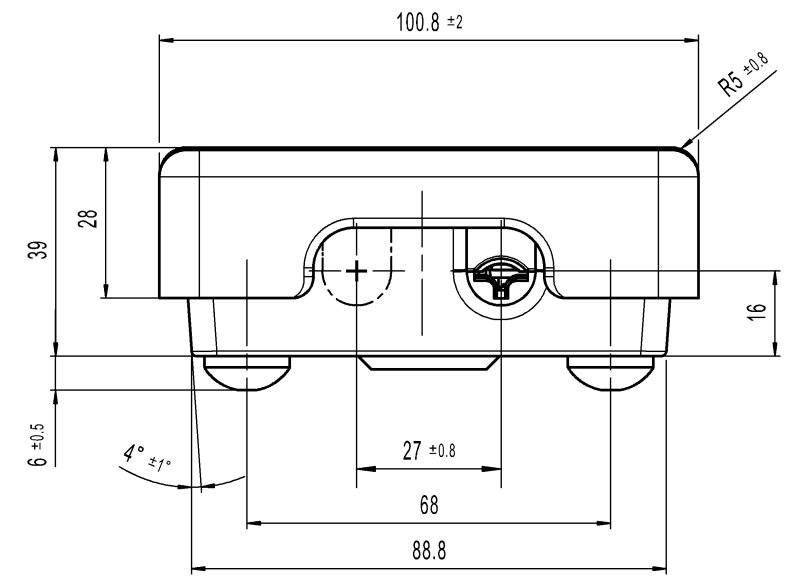
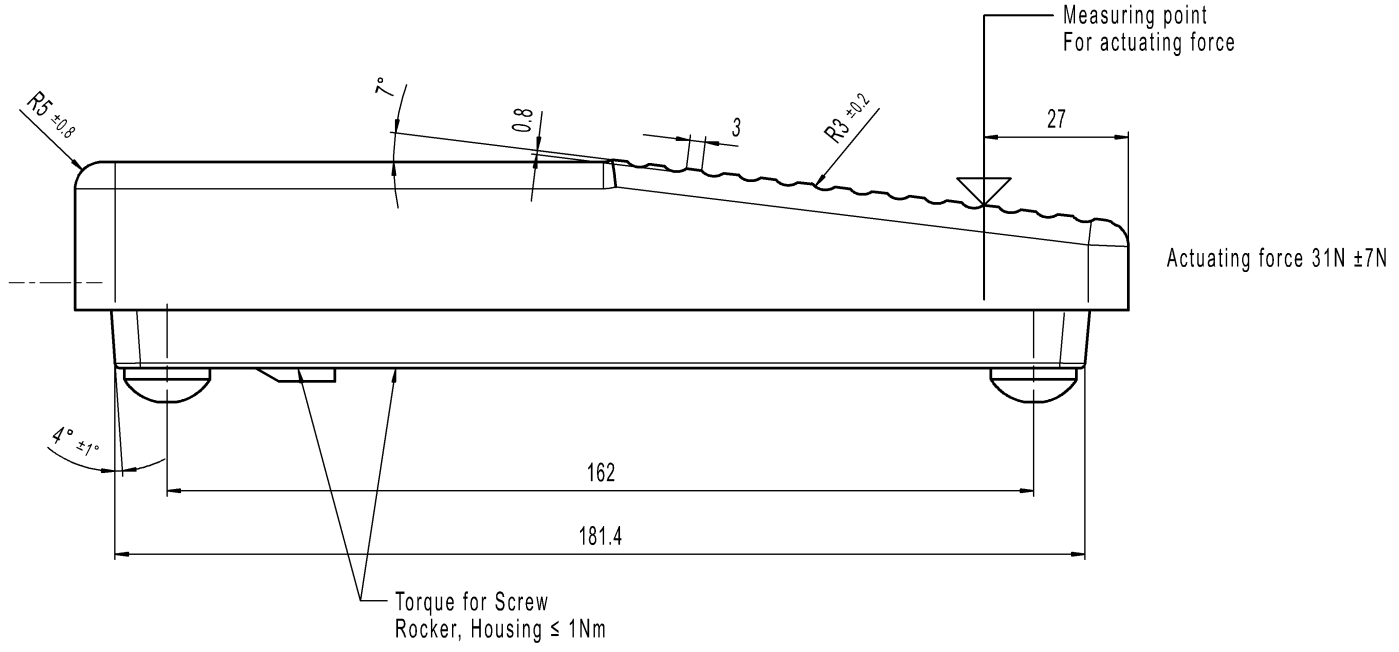
© THIS DRAWING IS THE EXCLUSIVE PROPERTY OF MARQUARDT. REPRODUCTION WITHOUT THEIR CONSENT MAY NOT BE REPRODUCED OR GIVEN TO THIRD PARTIES.

CONFIDENTIAL

VERTRAULICH

Alle Rechte bei Marquardt, auch hier den Fall von Schutzrechtsverletzungen, alle Verlegungs-Bezugs-, wie Kopier- und Weitergaberecht, bei uns.

©

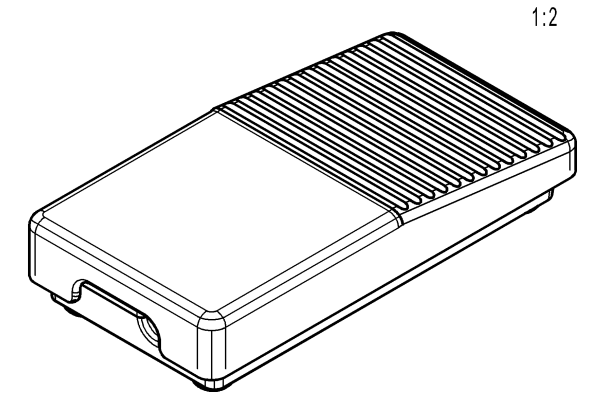


Single pole change-over

Marking

MARQUARDT
2410.0401 μ
6(2.5)/250~50E3

Schematic



-		-		-		2410.0401-XX		
Figure		Type		Customer Part No.		Art.No.-PI		
Shape and location	Angle ± 2 °	0-6	+ 0.15	6-6	±	Sheet	01	
	Edge tolerance	>6-15	+ 1	>6-15	±	Ident.	K	
© ≡	↙ ↘	>15-30	+ 1	>15-30	±	Document number	24100401	
		>30-70	+ 1.5	>30-200	±	Index	g	
		>70-120	+ 1.5			Foot Pressure Switch		
		>120-200	+ 1.5			All dimensions are in millimetres		
g	137878	2022-02-01	KELBOUSSIM	Format	A2	Projection	1:1	
f	131778	2020-11-09	THAKARES	System	NX V1872			
e	41282	2004-10-13	BZ	Replacement of	Zg.gl.Nr.v.26.04.1994			
d	30220	2000-09-28	PFU	MARQUARDT				
Index	MEC-No.	Date (YYYY-MM-DD)	Edited by					