

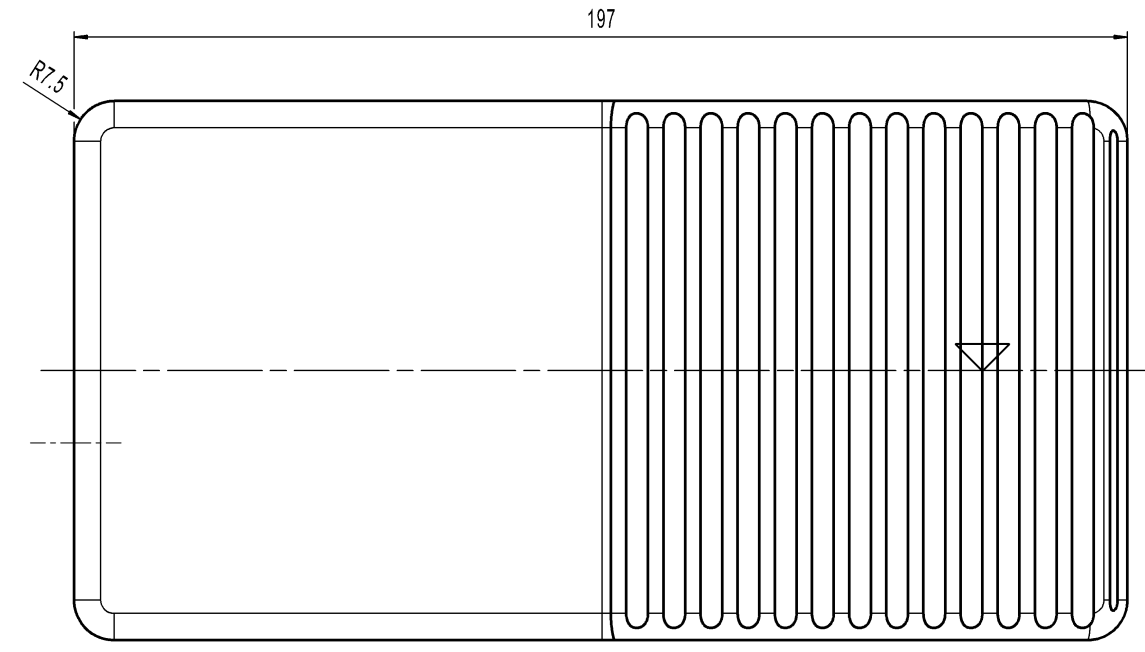
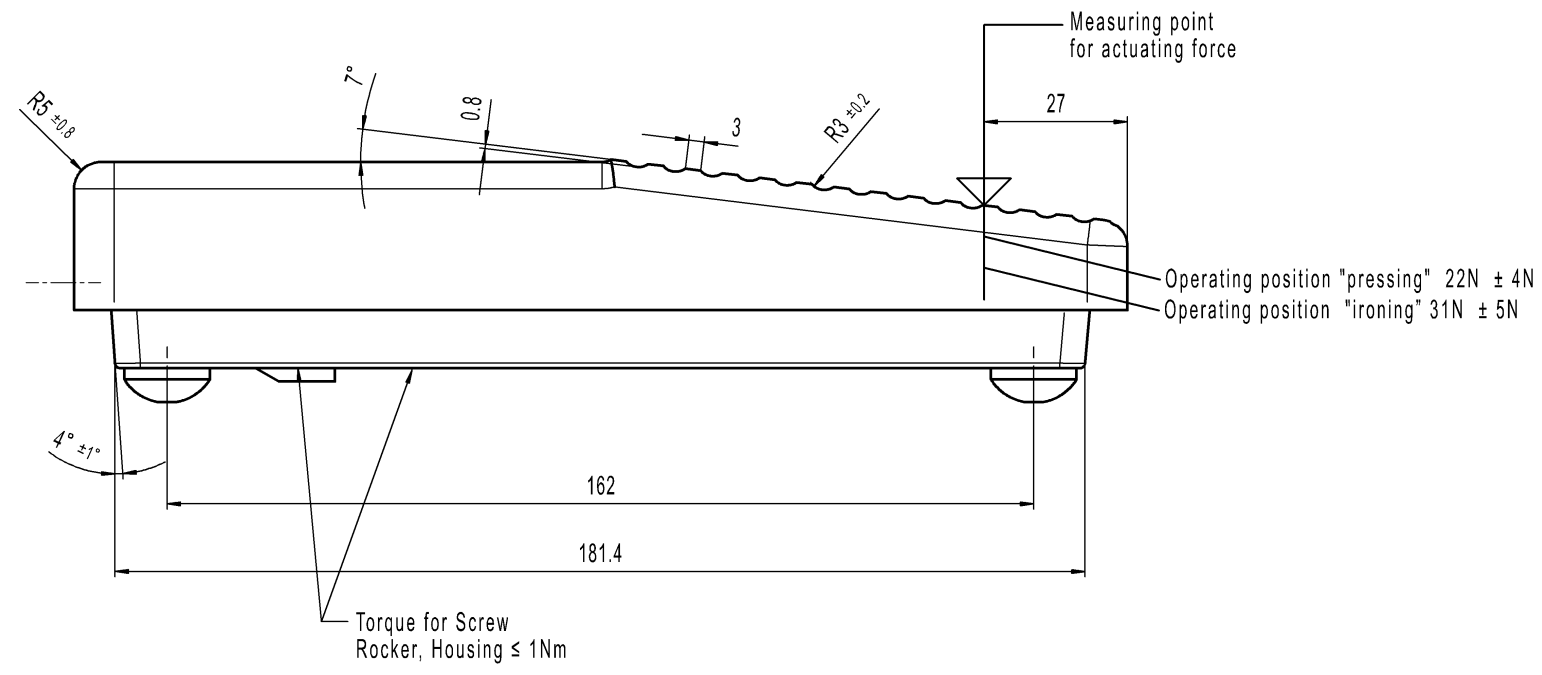
© THIS DRAWING IS THE EXCLUSIVE PROPERTY OF MARQUARDT. WITHOUT THEIR CONSENT MAY NOT BE REPRODUCED OR GIVEN TO THIRD PARTIES.

CONFIDENTIAL

VERTRAULICH

Alle Rechte bei Marquardt, auch hier den Fall von Schutzrechtsverletzungen, liegt Veräußerungs- Belgien, wie Kopier- und Weitergaberecht, bei uns.

©

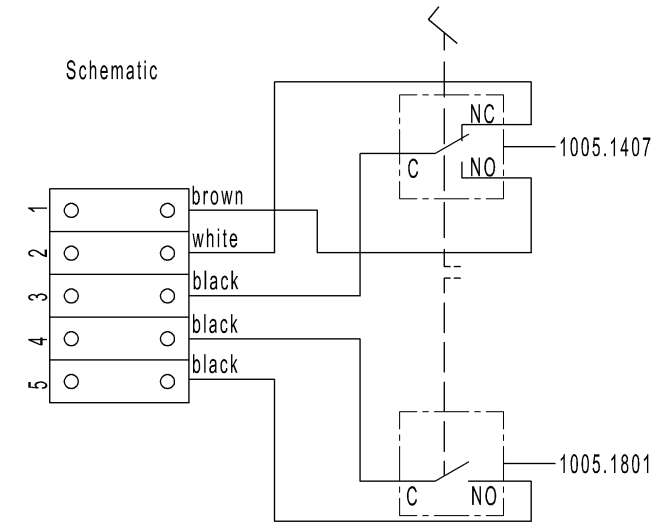
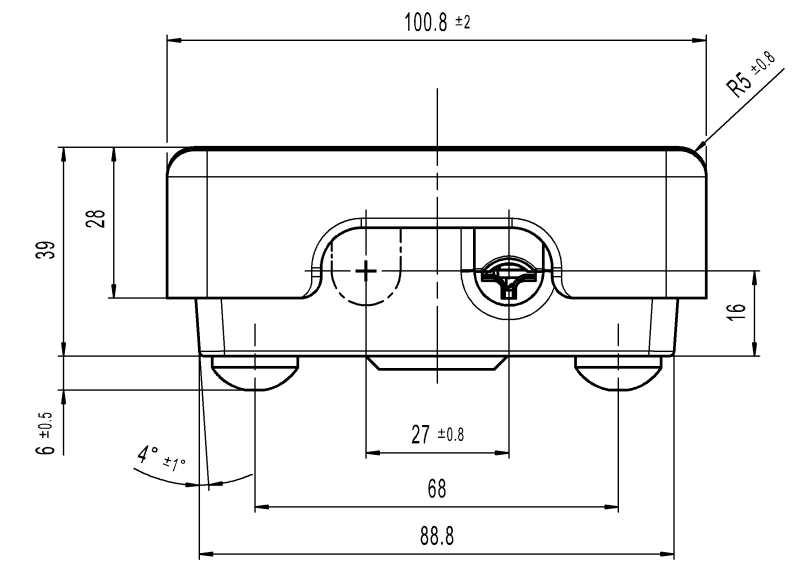


Upper part and bottom part  
Material: Polyamide  
Color: black, similar RAL 9011

Operating position „pressing“ (Measured at start position)  $\approx 2.3mm$

Operating position „ironing“ (Measured at start position)  $\approx 8mm$

} Measured at outer edge of upper part

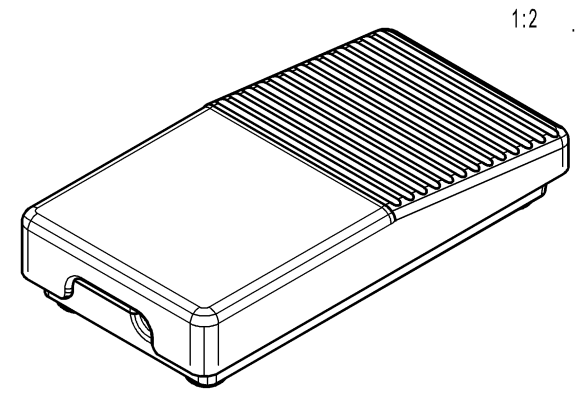


Single pole change-over  
Single pole normally open

Marking

MARQUARDT  
2410.0501  $\mu$   
6(2.5)/250~50E3

Schematic



-		-		-		2410.0501-XX	
Figure		Type		Customer Part No.		Art.No.-PI	
Shape and location	Angle $\pm 2^\circ$	Length		Radii		Sheet 01	
	Edge tolerance					Format DIN	Projection Scale
©	≡	All dimensions are in millimetres		System NX V1872		Ident. Document number Index	
				Replacement of		K 24100501 i	
i	131778	2022-02-01	KELBOUSSIM		Foot Pressure Switch		
h	131778	2020-11-09	THAKARES				
g	41282	2004-10-13	BZ		MARQUARDT		
f	30220	2000-09-28	PFU				
Index	MEC-No.	Date (YYYY-MM-DD)	Edited by		Zg.gl.Nr.v.28.04.1995		