

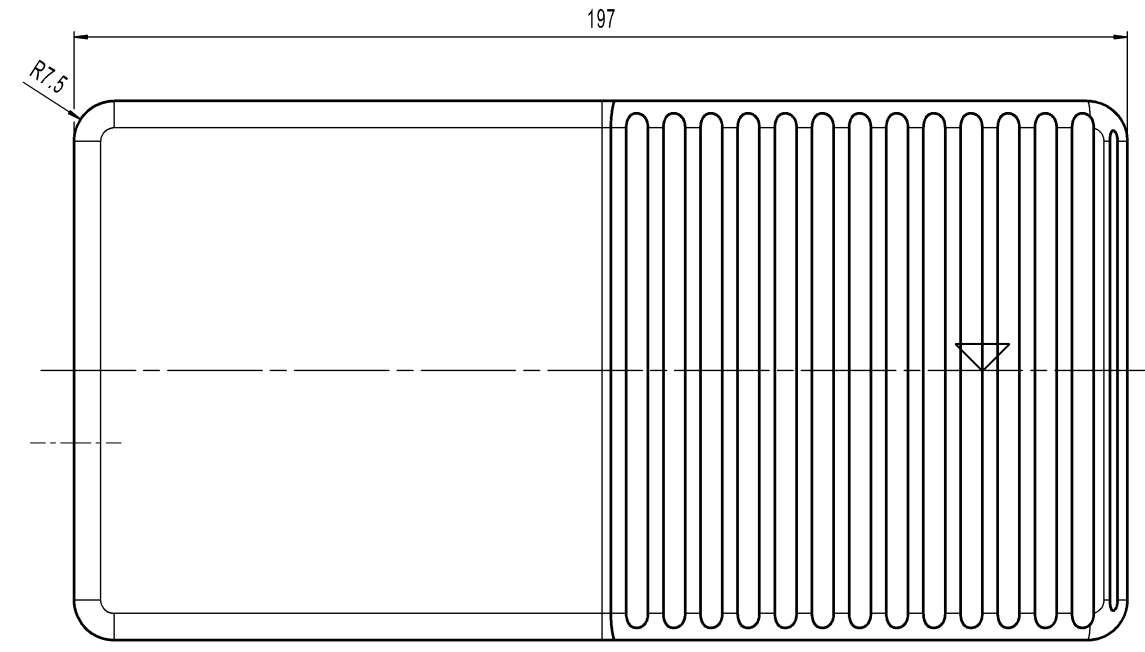
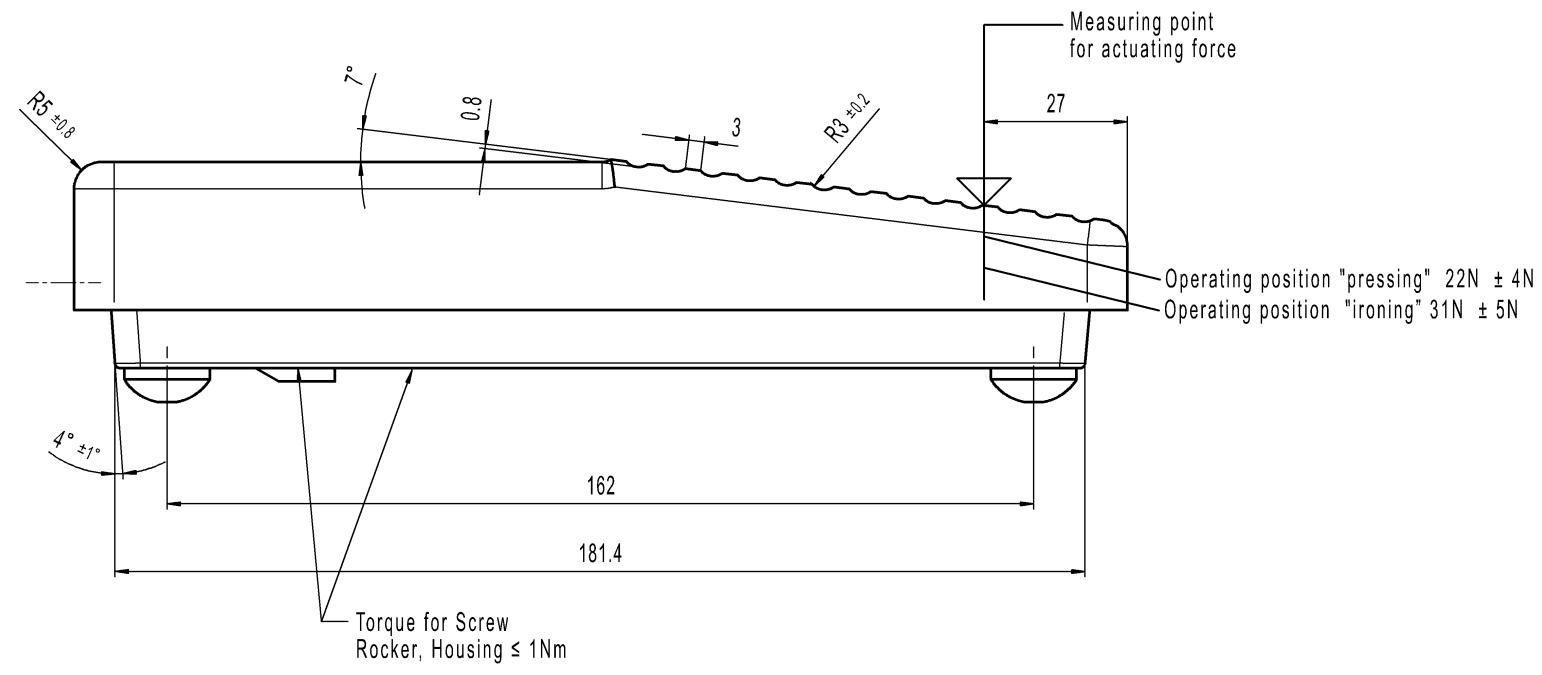
© THIS DRAWING IS THE EXCLUSIVE PROPERTY OF MARQUARDT. WITHOUT THEIR CONSENT MAY NOT BE REPRODUCED OR GIVEN TO THIRD PARTIES.

CONFIDENTIAL

VERTRAULICH

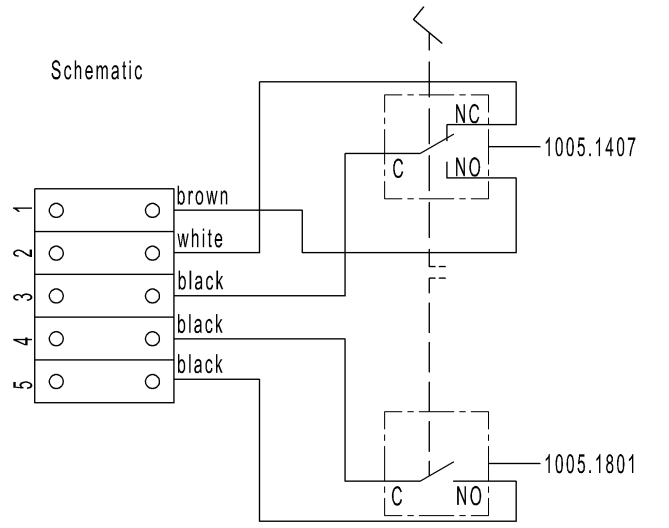
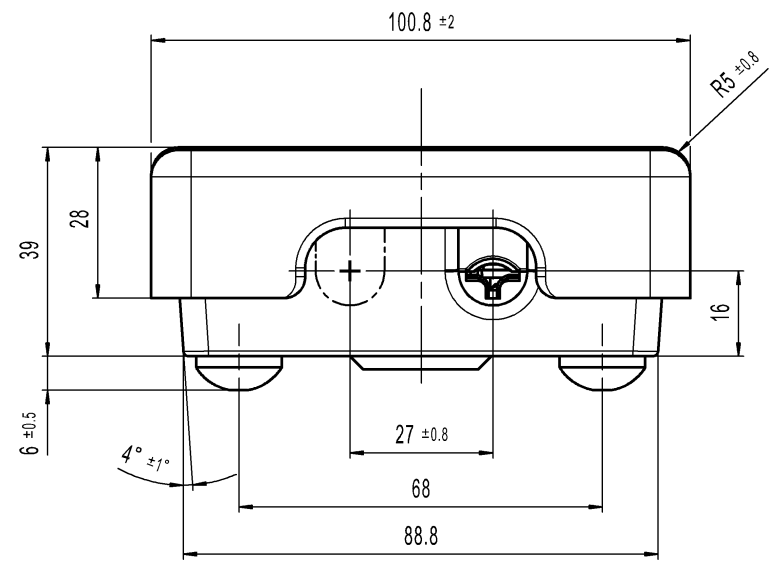
Alle Rechte bei Marquardt, auch hier den Fall von Schutzrechtsverletzungen, liegt Veräußerungs- Belgien, wie Kopier- und Weitergaberecht, bei uns.

©



Upper part and bottom part
Material: Polyamide
Color: black, similar RAL 9011

Operating position „pressing“ (Measured at start position) ≈ 2.3mm
Operating position „ironing“ (Measured at start position) ≈ 8mm } Measured at outer edge of upper part

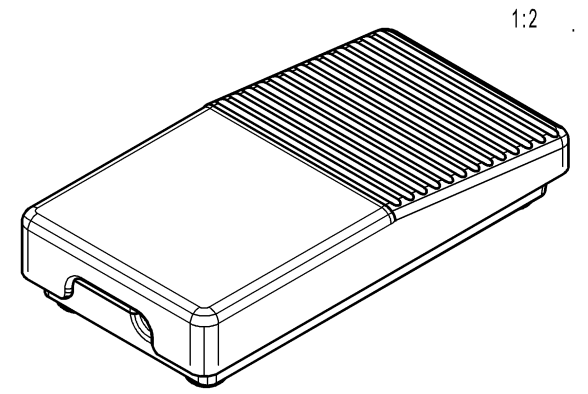


Single pole change-over
Single pole normally open

Marking

© MARQUARDT
2410.0501 μ
6(2.5)/250~50E3

Schematic



-		-		2410.0501-XX	
Figure	Type			Customer Part No.	Art.No.-PI
Shape and location	Angle ± 2 °	Length		Sheet 01	Ident. K
	Edge tolerance	Radii		Projection	
© ≡	0-6	+ 0.15	0-6	Scale 1:1	Foot Pressure Switch
	>6-15	+ 1	>6-15	All dimensions are in millimetres	
Index	i	137878	2022-02-01	KELBOUSSIM	System NX V1872
	h	131778	2020-11-09	THAKARES	
	g	41282	2004-10-13	BZ	
	f	30220	2000-09-28	PFU	
	MEC-No.	Date (YYYY-MM-DD)	Edited by		Replacement of Zg.gl.Nr.v.28.04.1995

