

## Industrial 24mm Diameter 5 Watt, Wirewound Rotary Potentiometer

### Features

- Dust-proof construction
- Precision linearity
- 5 watt power rating
- Superior resistance stability in temperature and environment change
- Tandem constructions available
- Bushing or twist tab mounting
- Available with pull-push and rotary power switches
- RoHS compliant



## Electrical and Mechanical Specifications

### Resistance Range

Linear : 1 ohm through 25K ohms  
Audio : 20 ohms through 10K ohms

### Resistance Tolerance

±20%, ±10%, ±5%

### Power Rating

5 watts @ 25°C

### Dielectric Strength

1,000 VAC for 1 minute

### Maximum Operating Voltage

500 VDC

### Insulation Resistance

100 Megohms minimum @ 250 VDC

### Rotational Angle

Mechanical Angle: 300°±5°

Effective Angle:

Without switch: 280°

With switch: 240°

### Rotational Torque

3/4 to 6 in. oz. (54 - 432 gf-cm)

### Linearity (linear curve only)

Standard: 3% linearity

Special : 2% linearity

### Mounting Information

Bushing Mount

Twisted Tab

### Power Switch

Rotary Switch-SPST, DPST, SPDT

Pull-Push Switch-SPST (Pull-ON, Push-OFF)

### Rotational Life

standard : 10,000 cycles

special : 50,000 , 100,000 cycles

### Solder Heat Resistance

Maximum 350° C for 3 sec

### Operating Temperature

-30° C to +105° C

## T026 Metal Shaft, Bushing Mounting, Type "T" Solder Lug Terminals



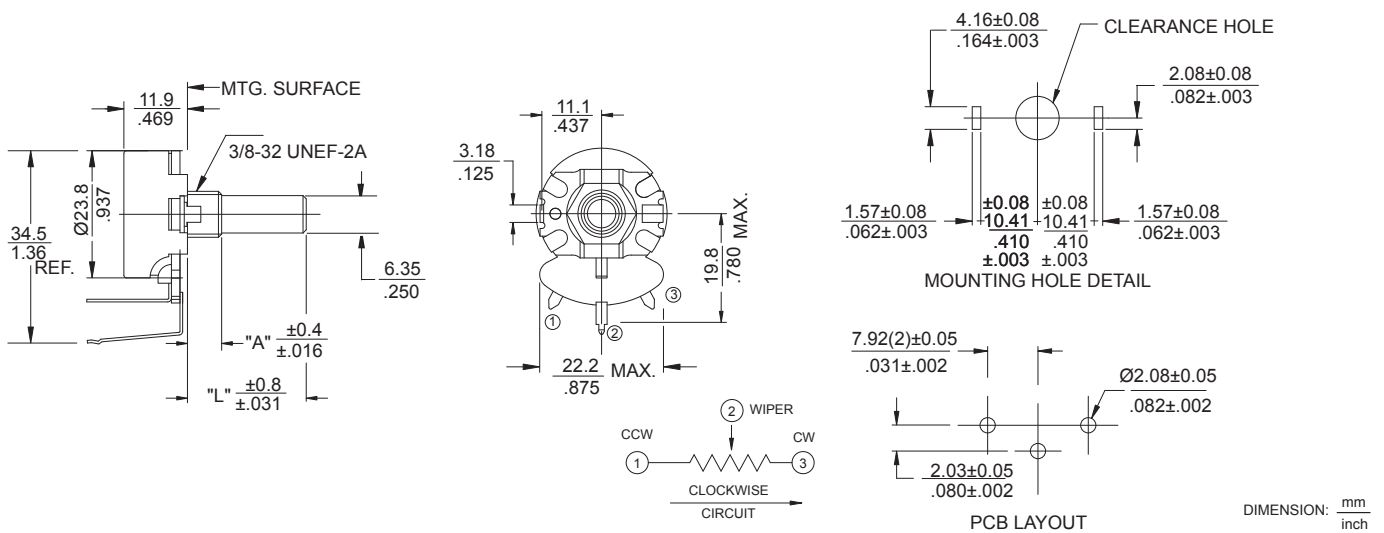
## X026 / Y026 Metal Shaft, Bushing Mounting, Printed Circuit Type X/Y Terminals



## U026 Metal Shaft, Bushing Mounting, Printed Circuit Type "U" Formed Terminals



## V026 Metal Shaft, Bushing Mounting, Printed Circuit Type "V" Formed Terminals



## S026 Metal Shaft, Bushing Mounting, Faston Type "S" Formed Terminals

