

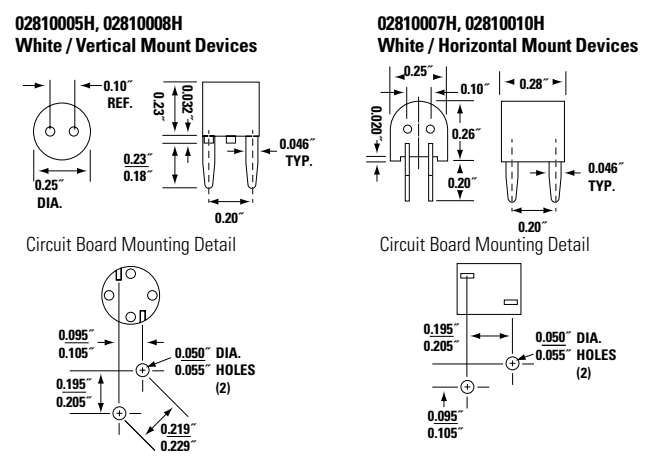
281/556/557 Series Thru-Hole Circuit Board Mount Blocks for Micro™/TR-3 Fuses



Product Characteristics

Compatible Fuses	281 Series Vertical	281 Series Horizontal	556 Series Vertical	557 Series Horizontal
	MICRO™/TR3®			
Description	Thru-hole circuit board mount blocks designed for Littelfuse MICRO™/TR3 type and other fuse series with .025" diameter leads rated to 5 amps			
Electrical	Rated at 5A / 1.6W to 125 volts.			
Mounting Method	PC Board Thru-Hole @ 5.08 hole spacing			
Mount Color & Direction	White Vertical	White Horizontal	Black Vertical	Black Horizontal
Molded Part Specs	White Thermoplastic UL 94V0 PBT		Black Thermoplastic UL 94V0	
Metal Parts and Terminals	Copper Alloy with options Tin Plating (281008, 281010) or Silver Plating (281005, 281007)		Copper Alloy with Tin Plating	
Ambient Temperature	-40°C to +100°C.			
Unit Weight	0.41g	0.50g	0.42g	0.51g

Dimensions units in inch (mm)



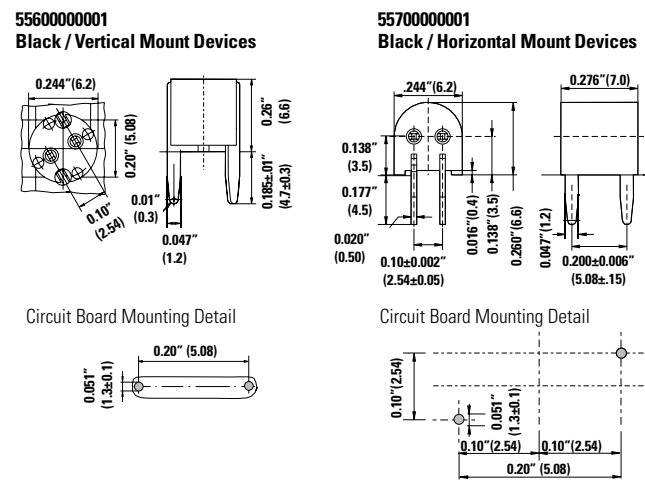
Agency Approvals

Agency	Agency File Number		
	281 Series	556 Series	557 Series
	E14721	N/A	N/A

Ordering Information

Ordering Number	Terminal Plating	Mount Color	Mount Direction	Packaging
02810005H	Silver ¹	White	Vertical	100 (Bulk pack)
02810008H	Tin ¹	White	Vertical	100 (Bulk pack)
02810007H	Silver ¹	White	Horizontal	100 (Bulk pack)
02810010H	Tin ¹	White	Horizontal	100 (Bulk pack)
55600000001*	Tin	Black	Vertical	1000 (Bulk pack)
55700000001*	Tin	Black	Horizontal	1000 (Bulk pack)

¹ UL recognized.
* RoHS compliant.
Note: 281 Series meets with Glow Wire requirements specified on IEC 60695-2-12 & 60695-2-13



Additional Information



Disclaimer Notice - Information furnished is believed to be accurate and reliable. However, users should independently evaluate the suitability of and test each product selected for their own applications. Littelfuse products are not designed for, and may not be used in, all applications. Read complete Disclaimer Notice at: www.littelfuse.com/disclaimer-electronics