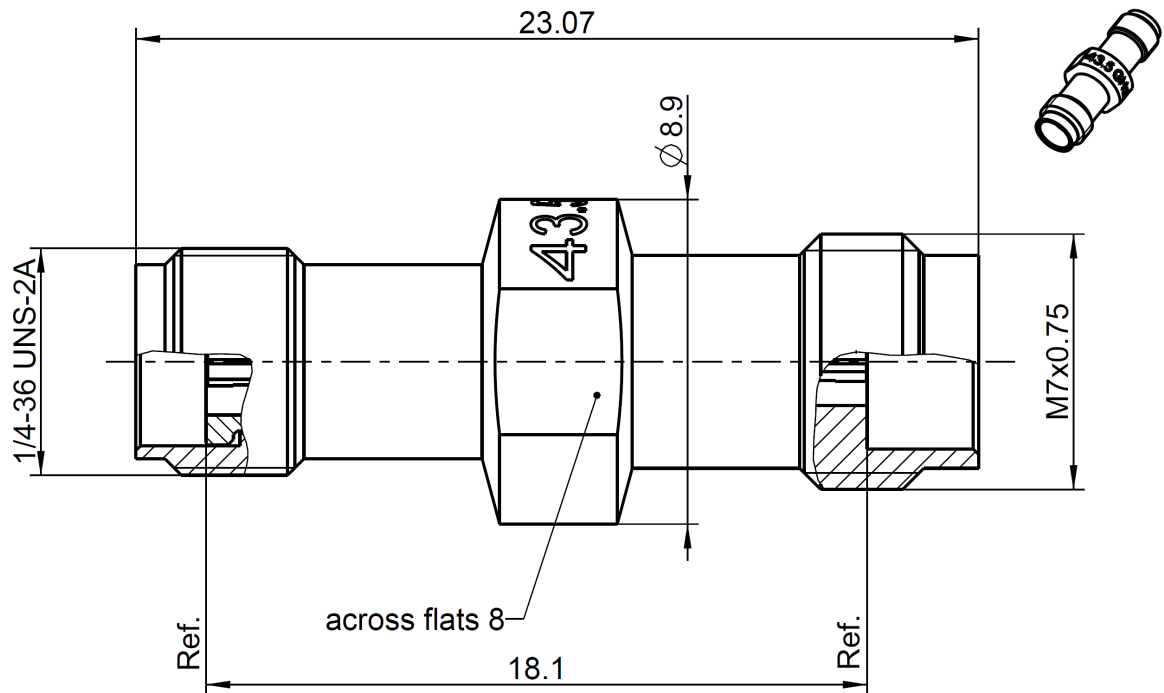


RPC-2.92 Adaptor
 RPC-2.40 Jack - Jack

02K109-K0BS3



All dimensions are in mm; tolerances according to ISO 2768 m-H

Interface

RPC-2.92 according to	IEC 61169-35
RPC-2.92 mechanically compatible with	RPC-3.50 and SMA
RPC-2.40 according to	IEC 61169-40
RPC-2.40 mechanically compatible with	RPC-1.85

Documents

N/A

Material and plating

Connector parts

Center contact
 Outer contact
 Dielectric

Material

CuBe
 Stainless steel
 TPX

Plating

Gold, min. 1.27 µm, over chemical nickel
 Passivated

RPC-2.92 Adaptor
 RPC-2.40 Jack - Jack

02K109-K0BS3

Electrical data

Impedance 50 Ω
 Frequency DC to 43.5 GHz
 Return loss ≥ 28 dB, DC to 12 GHz
 ≥ 25 dB, 12 GHz to 26.5 GHz
 ≥ 18 dB, 26.5 GHz to 43.5 GHz
 Insertion loss ≤ 0.05 x √f(GHz) dB
 Insulation resistance ≥ 5 GΩ
 Test voltage 500 V rms
 Working voltage 150 V rms
 RF-leakage ≥ 100 dB up to 1 GHz

Mechanical data

Mating cycles ≥ 500
 Center contact captivation ≥ 20 N
 Coupling test torque RPC-2.92 1.70 Nm
 Recommended torque RPC-2.92 0.80 Nm to 1.10 Nm
 Coupling test torque RPC-2.40 1.65 Nm
 Recommended torque RPC-2.40 0.80 Nm to 1.10 Nm

Environmental data

Temperature range -40°C to +125°C
 Thermal shock MIL-STD-202, Method 107, Condition B
 Corrosion MIL-STD-202, Method 101, Condition B
 Vibration MIL-STD-202, Method 204, Condition D
 Shock MIL-STD-202, Method 213, Condition I
 Moisture resistance MIL-STD-202, Method 106
 RoHS compliant

Tooling

N/A

Suitable cables

N/A

Weight

4.6 g/pce

While the information has been carefully compiled to the best of our knowledge, nothing is intended as representation or warranty on our part and no statement herein shall be construed as recommendation to infringe existing patents. In the effort to improve our products, we reserve the right to make changes judged to be necessary.

Draft	Date	Approved	Date	Rev.	Engineering change number	Name	Date
S. Andorfer	09.07.20	H. Babinger	27.01.22	200	22-v023	A. Youmsi	27.01.22
Rosenberger Hochfrequenztechnik GmbH & Co. KG P.O.Box 1260 D-84526 Tittmoning Germany www.rosenberger.de						Tel.: +49 8684 18-0 Fax: +49 8684 18-499 email: info@rosenberger.de	
							Page 2 / 2