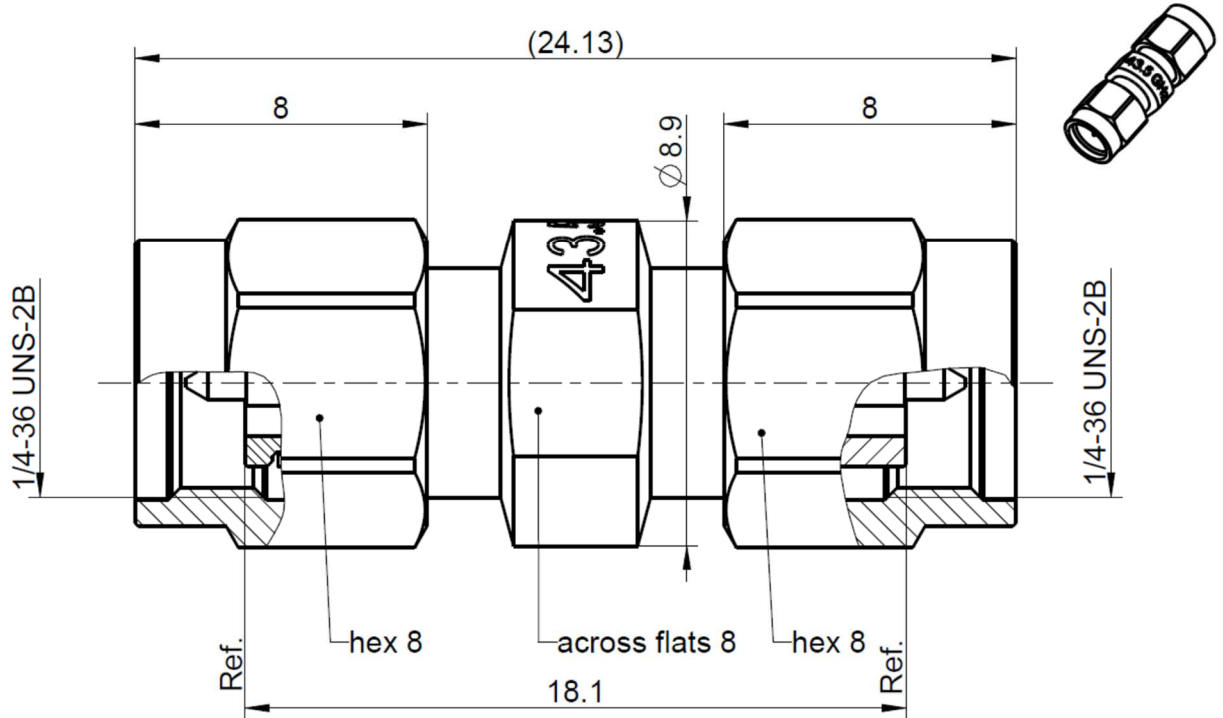


RPC-2.92

Adaptor  
Plug - Plug

**02S121-S0BS3**



All dimensions are in mm; tolerances according to ISO 2768 m-H

**Interface**

According to  
Mechanically compatible with

IEC 61169-35  
RPC-3.50 and SMA

**Documents**

N/A

**Material and plating**

**Connector parts**

Center contact  
Outer contact  
Coupling nut  
Dielectric

**Material**

CuBe  
Stainless steel  
Stainless steel  
TPX

**Plating**

Gold, min. 1.27 µm, over chemical nickel  
Passivated  
Passivated

# Technical Data Sheet

# Rosenberger

RPC-2.92

Adaptor  
Plug - Plug

02S121-S0BS3

### Electrical data

Impedance	50 Ω
Frequency	DC to 43.5 GHz
Return loss	≥ 19 dB, DC 43.5 GHz
Insertion loss	≤ 0.04 x √f(GHz) dB
Insulation resistance	≥ 5 GΩ
Test voltage	750 V rms
Working voltage	250 V rms
RF-leakage	≥ 100 dB up to 1 GHz

### Mechanical data

Mating cycles	≥ 500
Center contact captivation	≥ 20 N
Coupling test torque	1.70 Nm
Recommended torque	0.80 Nm to 1.10 Nm

### Environmental data

Temperature range	-40°C to +125°C
Thermal shock	MIL-STD-202, Method 107, Condition B
Corrosion	MIL-STD-202, Method 101, Condition B
Vibration	MIL-STD-202, Method 204, Condition D
Shock	MIL-STD-202, Method 213, Condition I
Moisture resistance	MIL-STD-202, Method 106
RoHS	compliant

### Tooling

N/A

### Suitable cables

N/A

### Weight

6.6 g/pce

While the information has been carefully compiled to the best of our knowledge, nothing is intended as representation or warranty on our part and no statement herein shall be construed as recommendation to infringe existing patents. In the effort to improve our products, we reserve the right to make changes judged to be necessary.

Draft	Date	Approved	Date	Rev.	Engineering change number	Name	Date
S. Andorfer	09.07.20	H. Babinger	28.01.22	200	22-v023	A. Youmsi	28.01.22
Rosenberger Hochfrequenztechnik GmbH & Co. KG P.O.Box 1260 D-84526 Tittmoning Germany <a href="http://www.rosenberger.de">www.rosenberger.de</a>						Tel. : +49 8684 18-0 Email : <a href="mailto:info@rosenberger.de">info@rosenberger.de</a>	
							Page 2 / 2