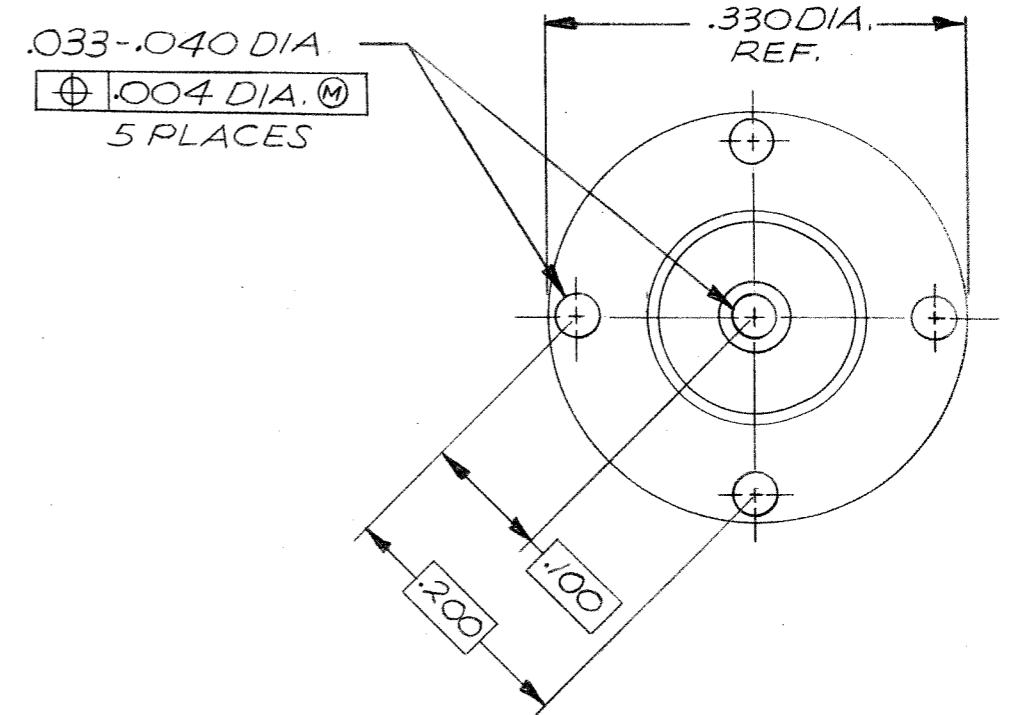
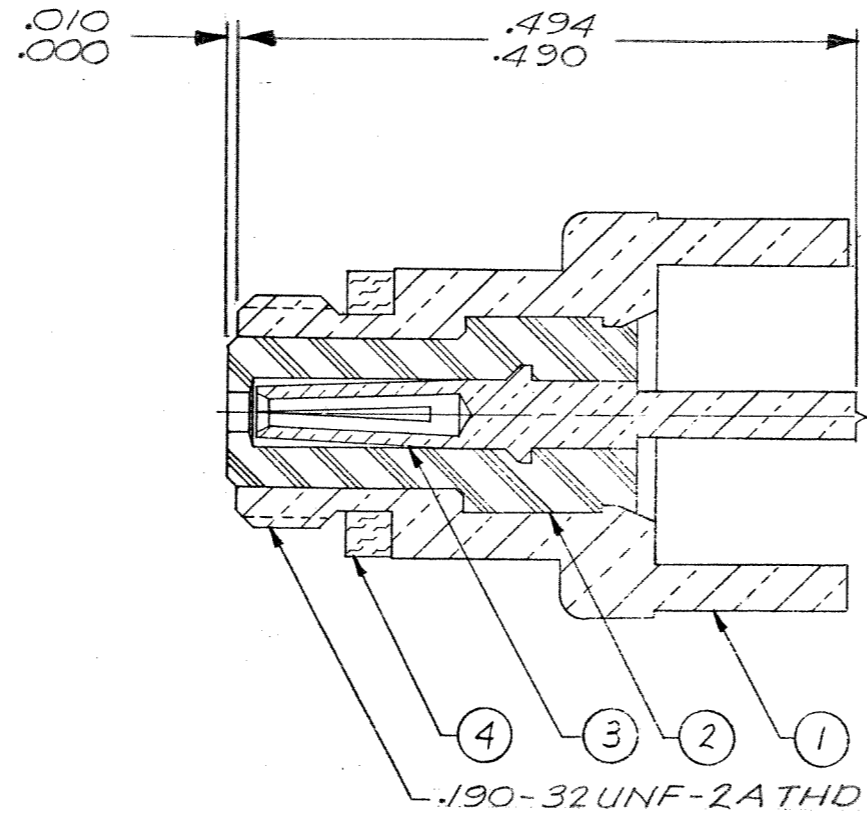


REVISIONS					
ZONE	LTR	ECN	DESCRIPTION	DATE	APPROVED
	L	24252	REVISED AND REDRAWN 7-10-77 ORIG. RELEASE 2-3-56 J.B.D./FELTS	7-11-79	J.M.H.
	M	36887	ITEM 4, WAS 003-0011-0001	3-11-97	
	N	38496	UPDATE REV. LETTER	1-22-97	



NOTES:  
 1. THIS CONNECTOR MATES WITH ALL 50 SERIES SCREW-ON PLUGS AS LISTED IN MALCO CATALOG.

Tyco Dwg 1466289  
 Micro P/N 03100590001

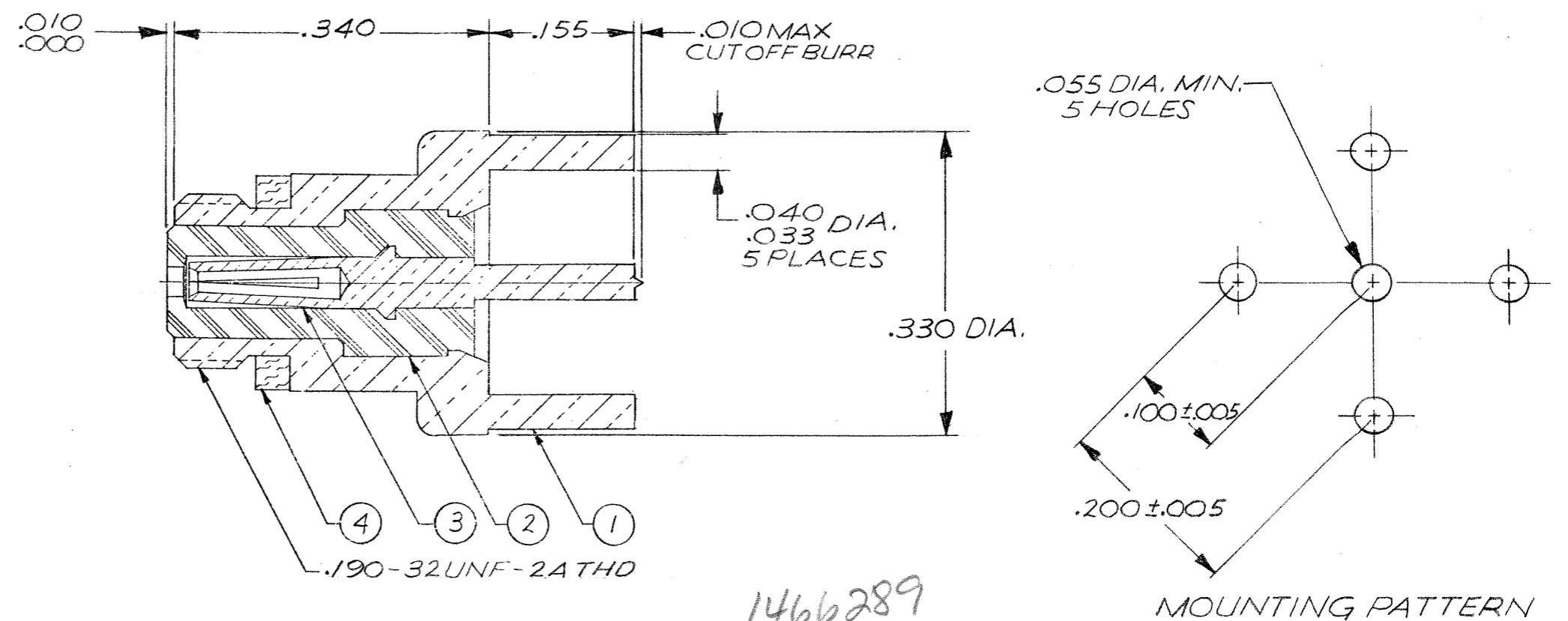
QTY REQD	CODE IDENT	PART OR IDENTIFYING NO.	DESCRIPTION	MAT'L AND SPEC.	ITEM NO.
1		003-0268-0000	GASKET	SILICONE RUBBER ZZ-R-765	4
1		003-1334-0002	CONTACT, SOCKET	BERYLLIUM COPPER, QQ-C-530	3
1		003-1332-0001	INSULATOR	TEFLON PER L-P-403	2
1		003-1327-0001	HOUSING	BRASS PER QQ-B-626	1

UNLESS OTHERWISE SPECIFIED DIMENSIONS ARE IN INCHES TOLERANCES ARE: FRACTIONS DECIMALS ANGLES ± .XX ± ± ± .XXX ± ±		CONTRACT NO.		<b>MALCO</b> A MICRODOT COMPANY, INC. 220 PASADENA AVE., SO. PASADENA, CALIF. 91030	PRGD. CODE <b>931</b> CODE <b>M</b>
MATERIAL <b>NOTED</b>		APPROVALS DRAWN <i>[Signature]</i> 1-31-79 CHECKED <i>[Signature]</i> 7-11-79 PR. ENG. <i>[Signature]</i> 7-11-79 APPD.			
FINISH		SIZE <b>B</b>		CODE IDENT NO. <b>98278</b>	DRAWING NO. <b>031-0059-0001</b>
NEXT ASSY		USED ON		SCALE	
APPLICATION		DO NOT SCALE DRAWING		SHEET / OF /	

D  
C  
B  
A

REVISIONS					
ZONE	LTR	ECN	DESCRIPTION	DATE	APPROVED
	L	24252	REVISED & REDRAWN 7-10-79 ORIG. RELEASE 2-3-56 J.R.D./FEL	7-11-79	[Signature]
	M	36837	ITEM 4, WAS 003-0011-0001	3-11-97	[Signature]
	N	38496	UPDATE REV. LETTER	1-22-99	[Signature]

D  
C  
B  
A



- NOTES: UNLESS OTHERWISE SPECIFIED.
- THIS CONNECTOR MATES WITH ALL 50 SERIES SCREW-ON PLUGS AS LISTED IN MALCO CATALOG.
  - SILVER PLATE .0002 MIN. PER QQ-S-365, TYPE II, GRADE A.
  - GOLD PLATE PER MIL-G-45204, TYPE II, GRADE C, CLASS I.

QTY REQD	CODE IDENT	PART OR IDENTIFYING NO.	DESCRIPTION	MAT'L AND SPEC.	ITEM NO.
1		003-0268-0000	GASKET	SILICONE RUBBER, ZZ-R-765	4
1		003-1334-0000	CONTACT, SOCKET	BERYLLIUM COPPER, QQ-C-530	3
1		003-1332-0001	INSULATOR	TEFLON PER L-P-403	2
1		003-1327-0001	HOUSING	BRASS PER QQ-B-626	1

UNLESS OTHERWISE SPECIFIED DIMENSIONS ARE IN INCHES TOLERANCES ARE: FRACTIONS DECIMALS ANGLFS ± .XX ± .XXX ± .010		CONTRACT NO.		MALCO A MICRODOT COMPANY, INC. 220 PASADENA AVE., SO. PASADENA, CALIF. 91050	
MATERIAL NOTED		APPROVALS DRAWN [Signature] 1-21-79 CHECKED [Signature] 7-11-79 PR. ENG. [Signature] 7-11-79 APPD.		RECEPTACLE PRINTED CIRCUIT	
FINISH NOTED		DRAWING NO. 031-0059-0001		PROD. CODE 931 CODE CD	
NEXT ASSY		SIZE B		CODE IDENT NO. 98278	
USED ON		DRAWING NO. 031-0059-0001		DRAWING NO. 031-0059-0001	
APPLICATION		SCALE		SHEET / OF /	


DO NOT SCALE DRAWING