

NOTES:

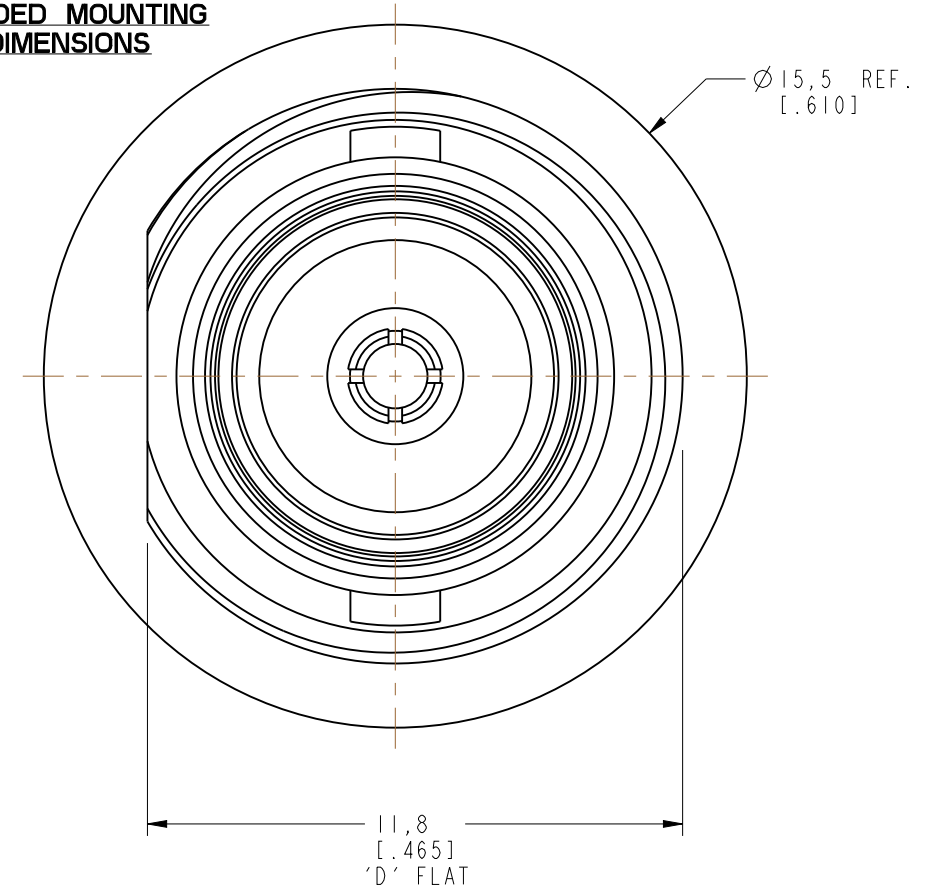
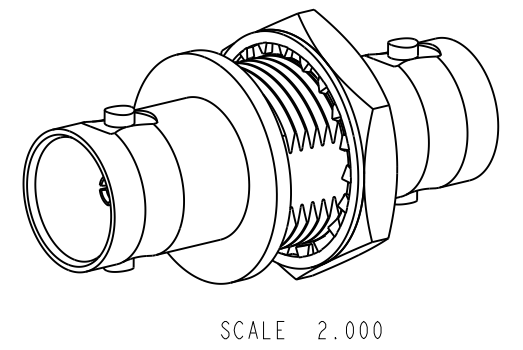
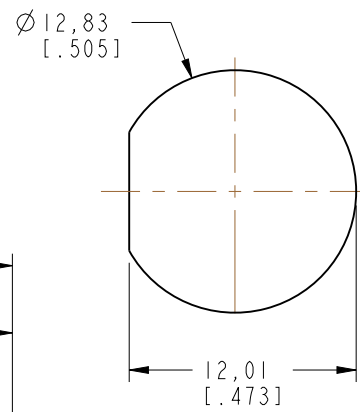
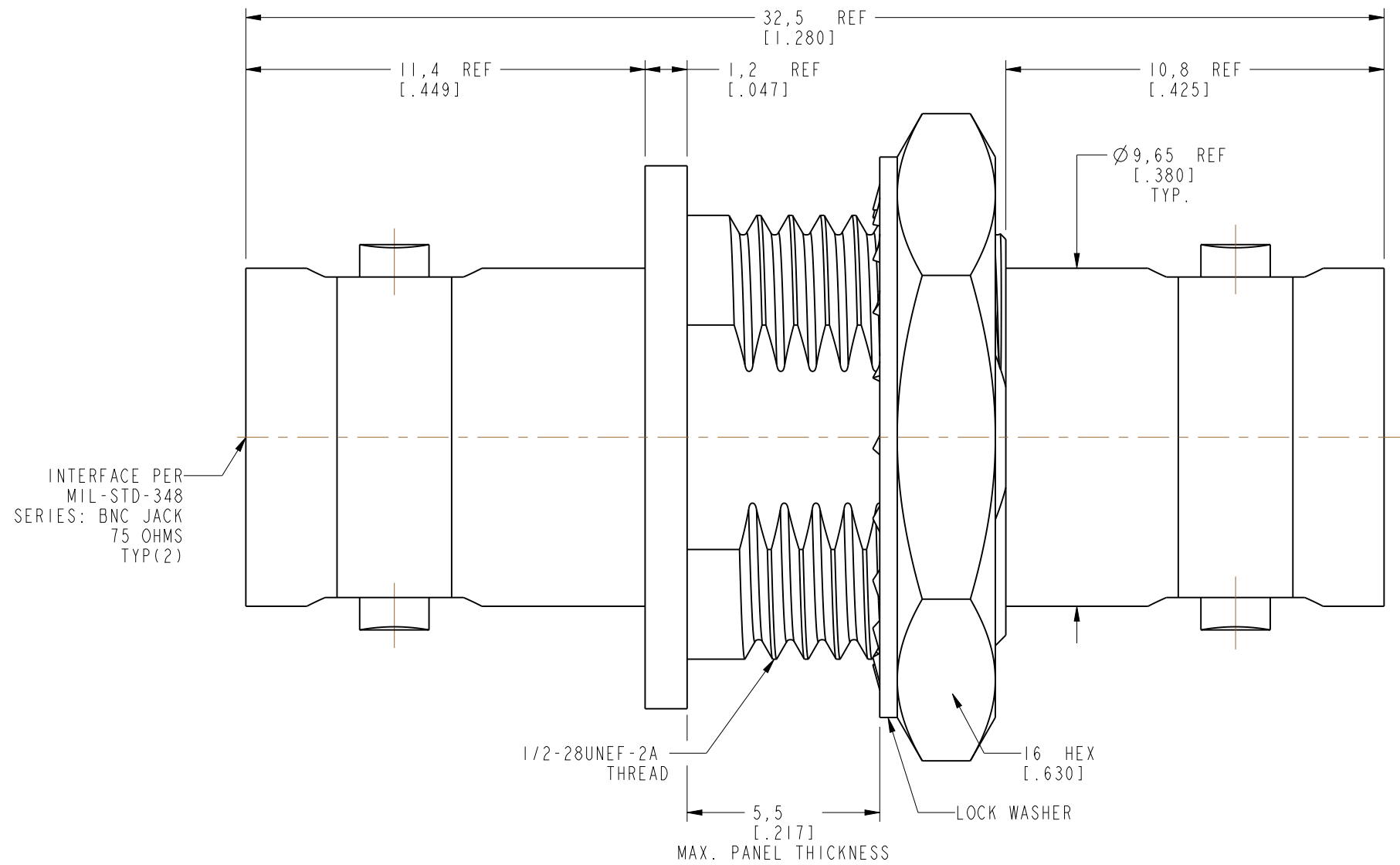
1. MATERIALS AND FINISHES:
 BODY, LOCK RING, LOCK WASHER &
 HEX-NUT - BRASS, NICKEL PLATING
 INSULATOR - PTFE, NATURAL
 CONTACTS - BeCu, GOLD PLATING
2. ELECTRICAL:
 A. IMPEDANCE: 75 OHM
 B. FREQUENCY RANGE: DC-12 GHz
 C. RETURN LOSS: -20 dB MAX. @ DC-6 GHz
 -15 dB MAX. @ 6-12 GHz
 D. DWV: 1500 VRMS

3. MECHANICAL:
 A. DURABILITY: 500 CYCLES MIN.
 B. TEMPERATURE RANGE: -65°C TO +165°C
 C. RECOMMENDED TORQUE: 30 IN-LBS
4. PACKAGING:
 A. QUANTITY: SINGLE PACK
 B. MARKING: BAG TO BE MARKED
 "AMPHENOL RF, 31-220N-75-12G AND DATE CODE"

THIRD ANGLE PROJ.

REVISIONS

REV	DESCRIPTION	DATE	ECN	APPR
A	RELEASE TO MFG.	04-May-18	8023	BMG



CUSTOMER OUTLINE DRAWING
 ALL OTHER SHEETS ARE FOR INTERNAL USE ONLY

UNLESS OTHERWISE SPECIFIED, DIMENSIONS ARE IN METRIC AND TOLERANCES ARE:
 <0.5mm ±0.05mm 0.5 - 6mm ±0.1mm 6 - 30mm ±0.2mm 30 - 120mm ±0.3mm ANGLES ±1°

NOTICE - These drawings, specifications, or other data (1) are, and remain the property of Amphenol corp. (2) must be returned upon request; and (3) are confidential and not to be disclosed to any person other than those to whom they are given by Amphenol Corp. the furnishing of these drawings, specifications, or other data by Amphenol Corp., or to any other person to anyone for any purpose is not to be regarded by implication or otherwise in any manner licensing, granting rights to permitting such holder or any other person to manufacture, use or sell any product, process or design, patented or otherwise, that may in any way be related to or disclosed by said drawings, specifications, or other data.

MATERIAL SEE NOTES
REFERENCE EAR# 7824 REF:
CONFIGURATION LEVEL: In Work
FINISH

DRAWN LOKESH P	DATE 12-Sep-17
ENGINEER ANANDH G	DATE 12-Sep-17
APPROVED K. CAPOZZI	DATE 04-May-18
CAD FILE	

TITLE 75 OHM BNC STR BHD JACK TO JACK ADAPTER	
SCALE: 6.0:1.0	SHEET 2 OF 2
DWG SIZE B	REV A

Amphenol RF www.amphenolrf.com	
DRAWING NO. 31-220N-75-12G	
ITEM NO. 31-220N-75-12G	
PART NO. 31-220N-75-12G	