

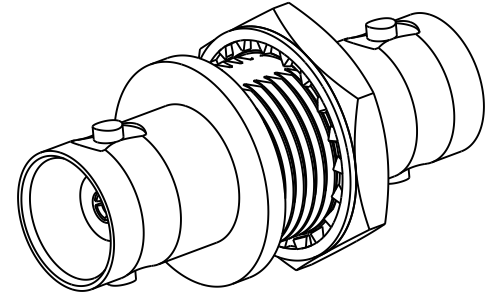
NOTES:

1. MATERIALS AND FINISHES:
 BODIES, HEX NUT & LOCK WASHER - BRASS, NICKEL PLATING
 CONTACT - PHOSPHOR BRONZE, GOLD PLATING
 INSULATORS - DELRIN, NATURAL
2. ELECTRICAL:
 A. IMPEDANCE: 50 OHM
3. MECHANICAL:
 A. DURABILITY: 500 CYCLES MIN.
 B. TEMPERATURE RANGE: -65° C TO +85° C
4. PACKAGING:
 A. QUANTITY: SINGLE PACK
 B. MARKING: BAG TO BE MARKED
 "AMPHENOL RF, 31-220N-RFX, AND DATE CODE"

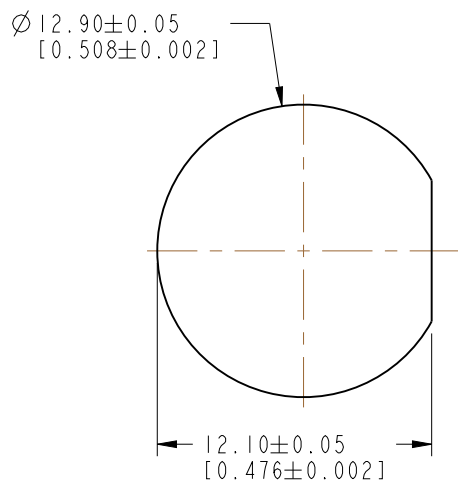
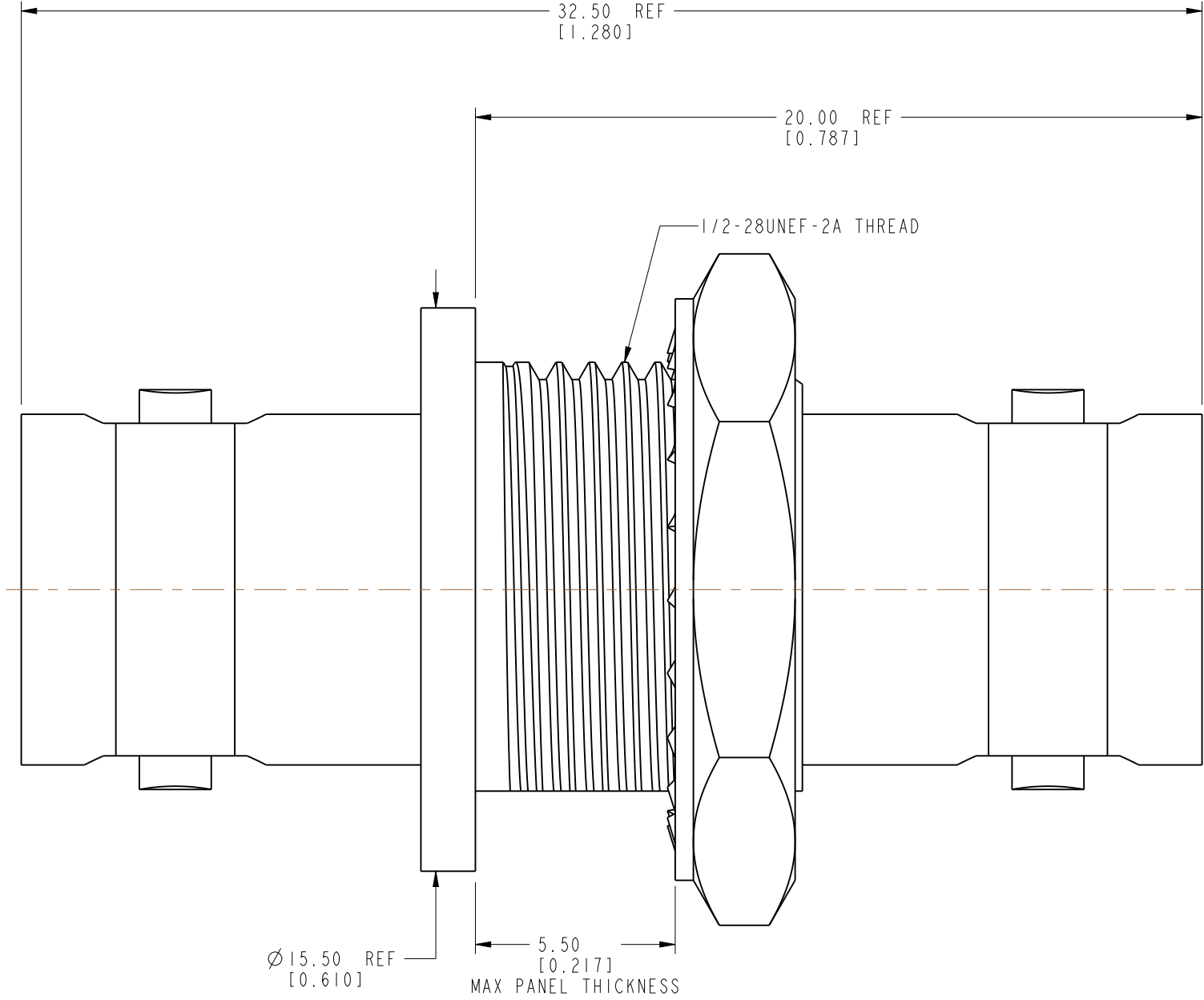
THIRD ANGLE PROJ.

REVISIONS

REV	DESCRIPTION	DATE	ECN	APPR
A	RELEASE TO MFG.	02-Oct-91	38063	DR
B	REDRAWN IN CREO	21-Aug-19	12664	EH



SCALE 2.000



RECOMMENDED MOUNTING HOLE DIMENSIONS

CUSTOMER OUTLINE DRAWING

ALL OTHER SHEETS ARE FOR INTERNAL USE ONLY

UNLESS OTHERWISE SPECIFIED, DIMENSIONS ARE IN METRIC AND TOLERANCES ARE: <0.5mm ± 0.05mm 0.5 - 6mm ± 0.1mm 6 - 30mm ± 0.2mm 30 - 120mm ± 0.3mm ANGLES ± 1°	MATERIAL NOTE 1	DRAWN E. HILL	DATE 13-Aug-19	TITLE BNC F-F BULKHEAD ADAPTER 50 OHM	Amphenol RF www.amphenolrf.com
	REFERENCE	ENGINEER T. ALBERA	DATE 04-Apr-91		
NOTICE - These drawings, specifications, or other data (1) are, and remain the property of Amphenol corp. (2) must be returned upon request; and (3) are confidential and not to be disclosed to any person other than those to whom they are given by Amphenol Corp. the furnishing of these drawings, specifications, or other data by Amphenol Corp., or to any other person to anyone for any purpose is not to be regarded by implication or otherwise in any manner licensing, granting rights to permitting such holder or any other person to manufacture, use or sell any product, process or design, patented or otherwise, that may in any way be related to or disclosed by said drawings, specifications, or other data.	EAR#	APPROVED K. CAPOZZI	DATE 21-Aug-19	SCALE: 6.0:1.0	SHEET 2 OF 2
	REF:	CONFIGURATION LEVEL: In Work	CAD FILE	DWG SIZE B	REV B
	FINISH				
				DRAWING NO. B7471BI-50	ITEM NO. B7471BI-50
				PART NO. 31-220N-RFX	