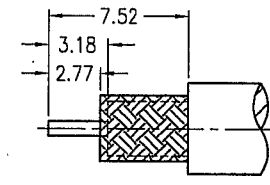


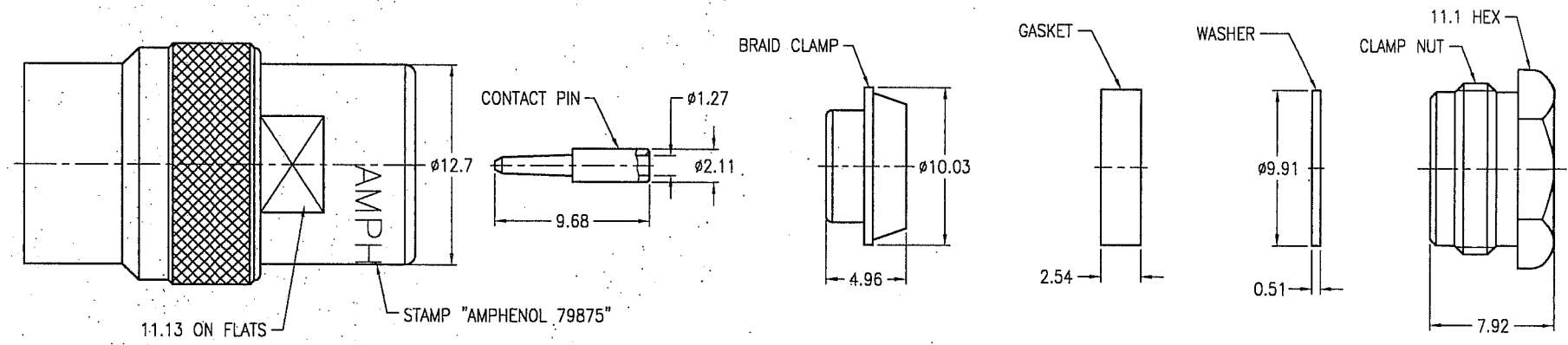
NOTES:

1. MATERIALS AND FINISHES:
 BODY - BRASS, NICKEL PLATING
 CONTACT - BRASS, SILVER PLATING
 INSULATOR - PTFE, NATURAL
2. ELECTRICAL:
 A. IMPEDANCE: 50 OHM
 B. FREQUENCY RANGE: DC 0-4 GHz
 C. DIELECTRIC WITHSTANDING VOLTAGE: 1500 VRMS; MIN.
3. MECHANICAL:
 A. DURABILITY: 500 CYCLES MIN.
 B. TEMPERATURE RANGE: -40°C to +85°C
4. ASSEMBLY INSTRUCTIONS:
 A. PLACE NUT, WASHER AND GASKET (WITH 'V' GROOVE TOWARD OPEN END OF CABLE) OVER CABLE
 B. TRIM TO RECOMMENDED STRIPPING DIMENSIONS
 C. PULL BRAID WIRES FORWARD AND TAPER TOWARD CENTER CONDUCTOR
 PLACE CLAMP OVER BRAID AND PUSH BACK AGAINST CABLE JACKET
 D. FOLD BACK BRAID WIRES. CRIMP OR SOLDER ON CONTACT.
 E. INSERT CABLE AND PARTS TO CONNECTOR BODY. MAKE SURE SHARP EDGE OF CLAMP SEATS PROPERLY IN GASKET. TIGHTEN NUT

| THIRD ANGLE PROJ. | | REVISIONS | | |
|-------------------|--------------------------|-----------|-------|------|
| REV | DESCRIPTION | DATE | ECO | APPR |
| T | REDRAWN TO UPDATE FORMAT | 23-Dec-08 | 47238 | |



RECOMMENDED CABLE STRIPPING DIM'S



CUSTOMER OUTLINE DRAWING
 ALL OTHER SHEETS ARE FOR INTERNAL USE ONLY

| | | | | | | |
|---|-----------|---|------------------------------|--------------|--|--------------------------|
| UNLESS OTHERWISE SPECIFIED, DIMENSIONS ARE IN METRIC AND TOLERANCES ARE: 0.5 - 6mm ±0.1mm 6 - 30mm ±0.2mm 30 - 120mm ±0.3mm ANGLES ±1° | MATERIAL | DRAWN NANCY DATE 26-Mar-03 | TITLE | | Amphenol RF Danbury CT USA, Tainan Taiwan, Shenzhen China www.amphenolrf.com | |
| | REFERENCE | ENGINEER NANCY DATE 26-Mar-03 | TNC PLUG (FOR 58/U CABLE) | | | DRAWING NO. 79875 |
| NOTICE - These drawings, specifications, or other data (1) are, and remain the property of Amphenol Corp. (2) must be returned upon request; and (3) are confidential and not to be disclosed to any person other than those to whom they are given by Amphenol Corp. The furnishing of these drawings, specifications, or other data by Amphenol Corp., or to any other person to anyone for any purpose is not to be regarded by implication or otherwise in any manner licensing, granting rights or permitting such holder or any other person to manufacture, use or sell any product, process or design, patented or otherwise, that may in any way be related to or disclosed by said drawings, specifications, or other data. | FINISH | APPROVED SCOTT DATE 26-Mar-03 | SCALE: 2.5/1 | SHEET 2 OF 2 | ITEM NO. 79875 | |
| | | F:\DWG\CNPD\79875-TSZ | | DWG SIZE B | CODE ID 74868 | REV T |