

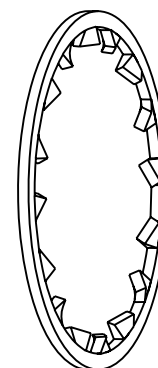
NOTES:

1. MATERIALS AND FINISHES:
 LOCK WASHER = STAINLESS STEEL, NICKEL PLATING
 SPANNER NUT = BRASS, NICKEL PLATING
2. PACKAGING:
 A. QUANTITY: 2 LOCKWASHERS & 2 SPANNER NUTS PER BAG
 B. MARKING: BAG TO BE MARKED
 "AMPHENOL, 31-6108, AND DATE CODE"

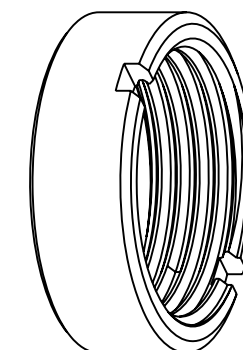
THIRD ANGLE PROJ.

REVISIONS

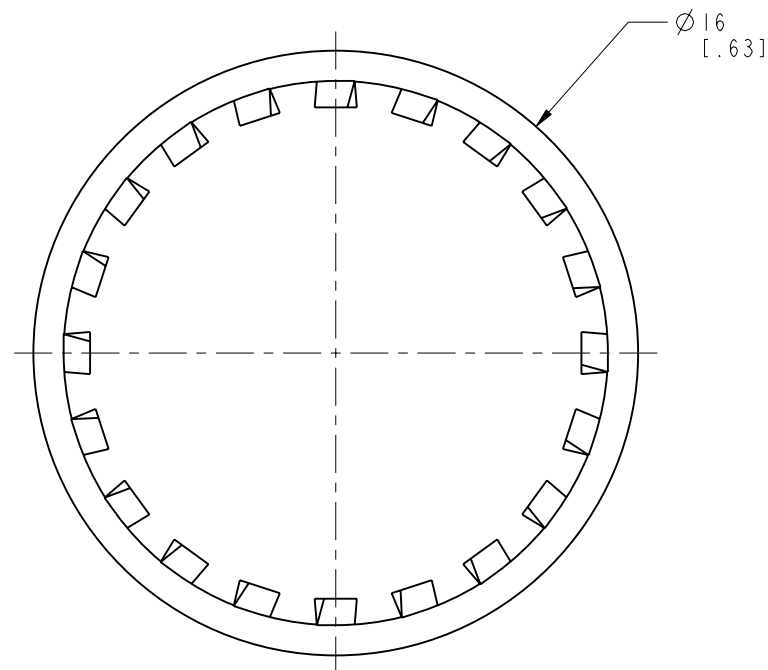
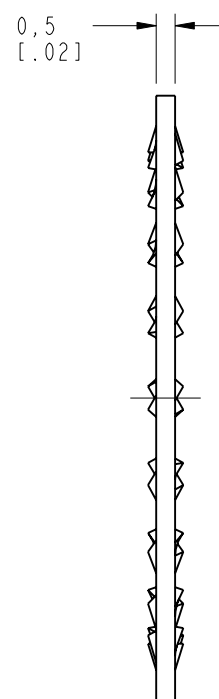
REV	DESCRIPTION	DATE	ECO	APPR
A	RELEASE TO MFG.	6/11/03	44503	CPM
B	NO.2 WAS CHANGED\RD-DA05101801JT	10-13-05'		SH
C	SYNCH THE DRAWING WITH DANBURY\RD-DM11031401R3	26-Mar-11	48488	RM
D	LOCK WASHER WAS CHANGED	14-Nov-11	48832	SH



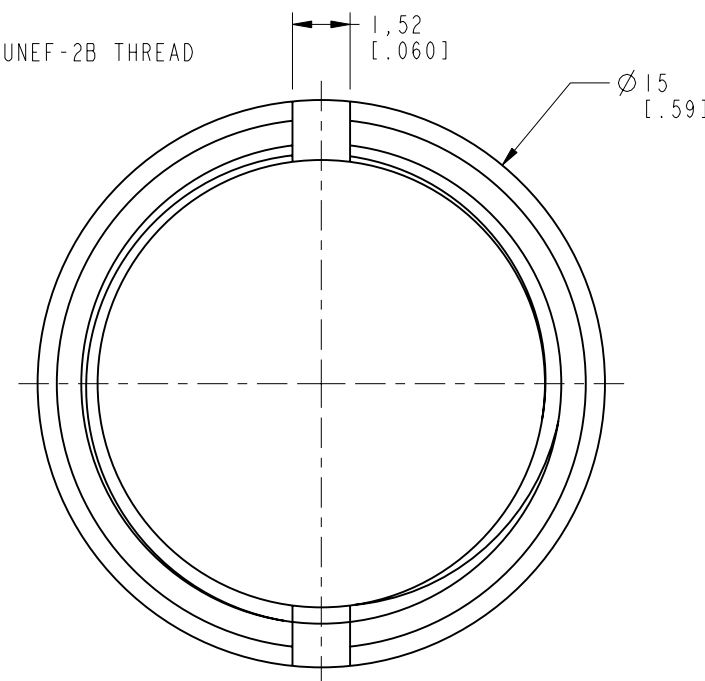
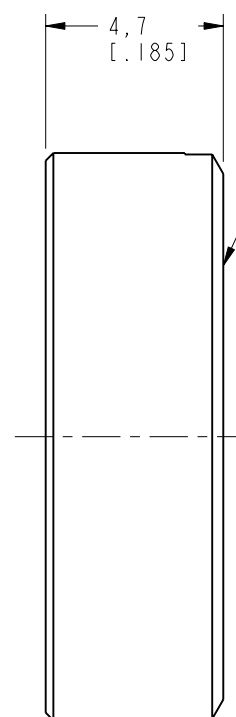
SCALE 3.000



SCALE 3.000



LOCK WASHER X 2 PCS



SPANNER NUT X 2 PCS

CUSTOMER OUTLINE DRAWING

ALL OTHER SHEETS ARE FOR INTERNAL USE ONLY

UNLESS OTHERWISE SPECIFIED, DIMENSIONS ARE IN METRIC AND TOLERANCES ARE: <0.5mm ±0.05mm 0.5 - 6mm ±0.1mm 6 - 30mm ±0.2mm 30 - 120mm ±0.3mm ANGLES ±1° NOTICE - These drawings, specifications, or other data (1) are, and remain the property of Amphenol corp. (2) must be returned upon request; and (3) are confidential and not to be disclosed to any person other than those to whom they are given by Amphenol Corp. the finishing of these drawings, specifications, or other data by Amphenol Corp., or to any other person to anyone for any purpose is not to be regarded by implication or otherwise in any manner licensing, granting rights to permitting such holder or any other person to manufacture, use or sell any product, process or design, patented or otherwise, that may in any way be related to or disclosed by said drawings, specifications, or other data.	MATERIAL	DRAWN F. WANG	DATE 14-Nov-11	TITLE LOCK WASHER AND SPANNER NUT	Amphenol RF Danbury CT USA, Tainan, Taiwan, Shenzhen, China www.amphenolrf.com
	REFERENCE GEN# LOCKWASHER	ENGINEER OWEN BARTHELMES	DATE 5/30/03		
	FINISH	APPROVED SCOTT	DATE 26-Mar-11	SCALE: 5.0:1.0 SHEET 2 OF 2	ITEM NO. 31-6108
		Root file:/31-6108		DWG SIZE B	REV D