

NOTES:

1. MATERIALS AND FINISHES:  
 SHELL, HOUSING, BARREL, WASHER  
 RETAINING RING & NUT - BRASS, NICKEL PLATING  
 CONTACT - BRASS, GOLD PLATING  
 GASKET - SILICONE RUBBER, RED  
 SPRING - BERYLLIUM COPPER, NICKEL PLATING  
 FERRULE - COPPER, NICKEL PLATING  
 INSULATOR - PTFE, NATURAL

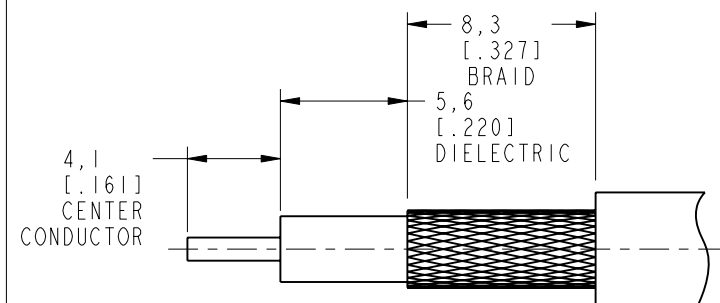
2. ELECTRICAL:  
 A. IMPEDANCE: 50 OHM

3. MECHANICAL:  
 A. DURABILITY: 500 CYCLES MIN.  
 B. TEMPERATURE RANGE: -65° C TO 165° C

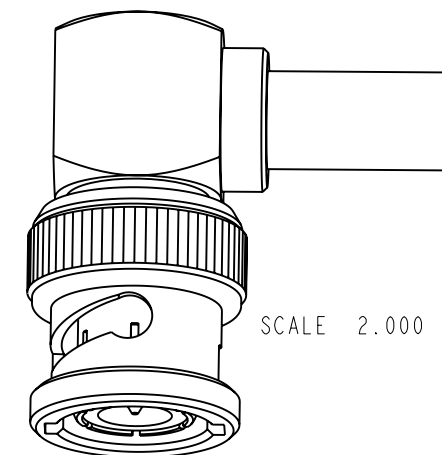
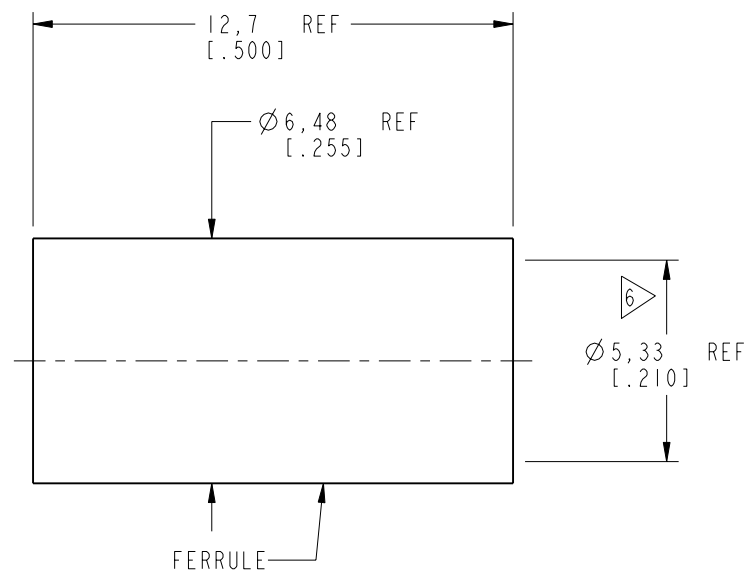
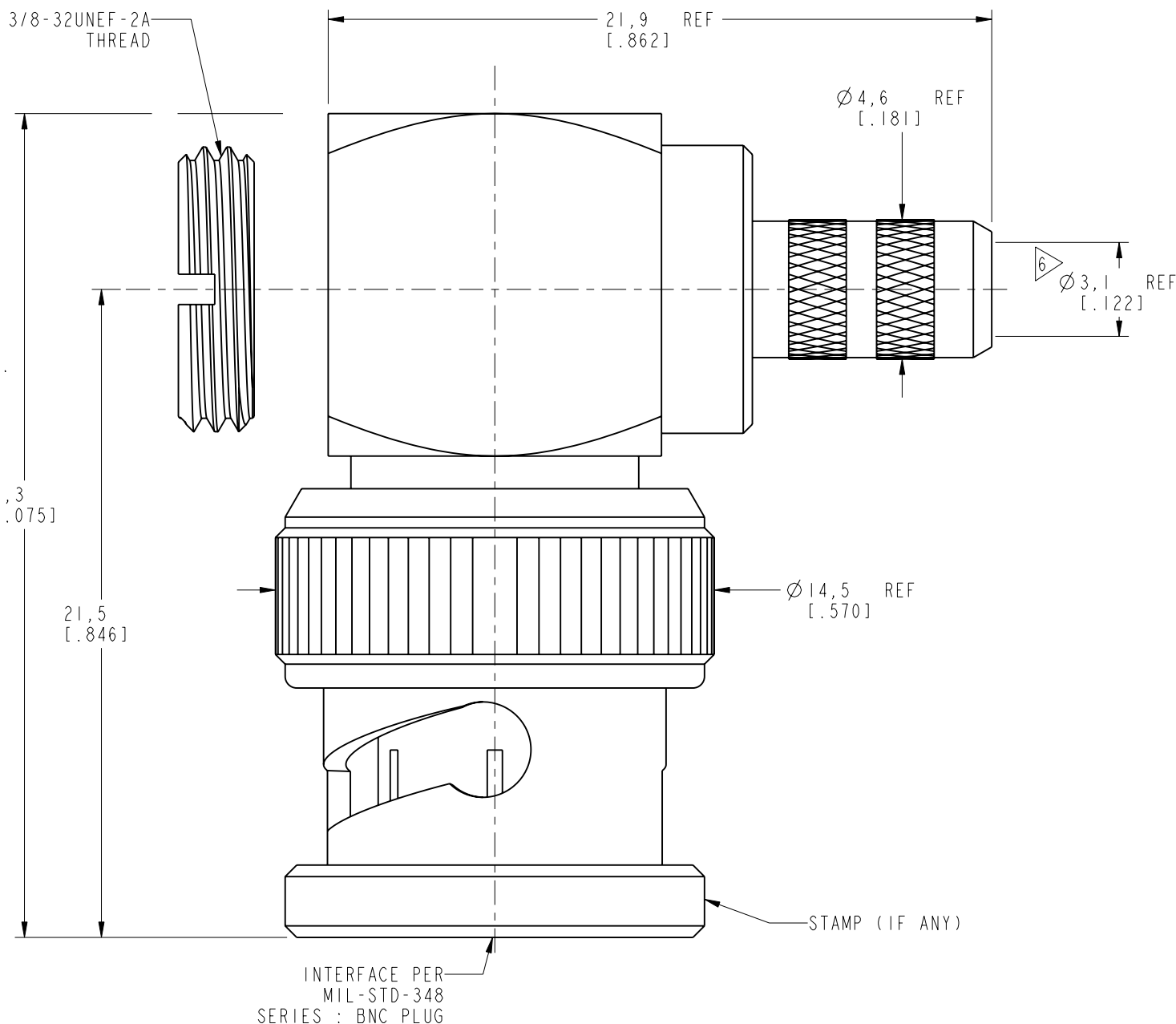
4. PACKAGING:  
 A. QUANTITY: SINGLE PACK  
 B. MARKING: BAG TO BE MARKED  
 "AMPHENOL RF, 31-6119, AND DATE CODE"

5. RECOMMENDED CABLE ASSEMBLY INSTRUCTIONS:  
 A. TRIM CABLE AS SHOWN.  
 B. SLIDE FERRULE ONTO CABLE.  
 C. INSERT CABLE WITH FOIL ENTERING CONNECTOR AND BRAID OVER KNURL.  
 D. SOLDER CABLE CENTER CONDUCTOR TO CENTER CONTACT.  
 E. CRIMP FERRULE OVER BRAID WITH .216" HEX DIE.  
 F. THREAD ON CAP TO COVER THE SOLDER ACCESS HOLE.

6 SHOWS CABLE ENTRY DIMENSIONS.



**RECOMMENDED CABLE STRIPPING DIMENSIONS**



THIRD ANGLE PROJ.

REVISIONS

REV	DESCRIPTION	DATE	ECO	APPR
--	RELEASE TO MFG.	--	--	--
B	REDRAWN IN PRO-E AND ADDED DANBURY PN & COD SHEET RD-DM15041001R3	27-Mar-15	50333	RM

**CUSTOMER OUTLINE DRAWING**

ALL OTHER SHEETS ARE FOR INTERNAL USE ONLY

UNLESS OTHERWISE SPECIFIED, DIMENSIONS ARE IN METRIC AND TOLERANCES ARE: <0.5mm ±0.05mm    0.5 - 6mm ±0.1mm    6 - 30mm ±0.2mm    30 - 120mm ±0.3mm    ANGLES ±1°	MATERIAL	DRAWN	DATE	TITLE BNC R/A CRIMP PLUG FOR RG 58/U & 58C/U CABLE	Amphenol RF www.amphenolrf.com
	SEE NOTES	R. MAO	27-Mar-15		
NOTICE - These drawings, specifications, or other data (1) are, and remain the property of Amphenol corp. (2) must be returned upon request; and (3) are confidential and not to be disclosed to any person other than those to whom they are given by Amphenol Corp. the furnishing of these drawings, specifications, or other data by Amphenol Corp., or to any other person to anyone for any purpose is not to be regarded by implication or otherwise in any manner licensing, granting rights to permitting such holder or any other person to manufacture, use or sell any product, process or design, patented or otherwise, that may in any way be related to or disclosed by said drawings, specifications, or other data.	REFERENCE EAR #	ENGINEER	DATE	SCALE: 5.0:1.0   SHEET 2 OF 2	DRAWING NO. B1112A1-NT30G-58U-50
	CONFIGURATION LEVEL: In Work	S. HSIEH	27-Mar-15		ITEM NO. 01112AAC58NC5F
	FINISH	CAD FILE	APPROVED	DATE	DWG SIZE B