

NOTES:

- MATERIALS AND FINISHES:
  - BODY, FERRULE, HEX NUT, & LOCKWASHER - BRASS, NICKEL PLATING
  - CONTACT - BeCu, GOLD PLATING
  - INSULATOR - PTFE
  - BULLET CONTACT - BRASS, GOLD PLATING

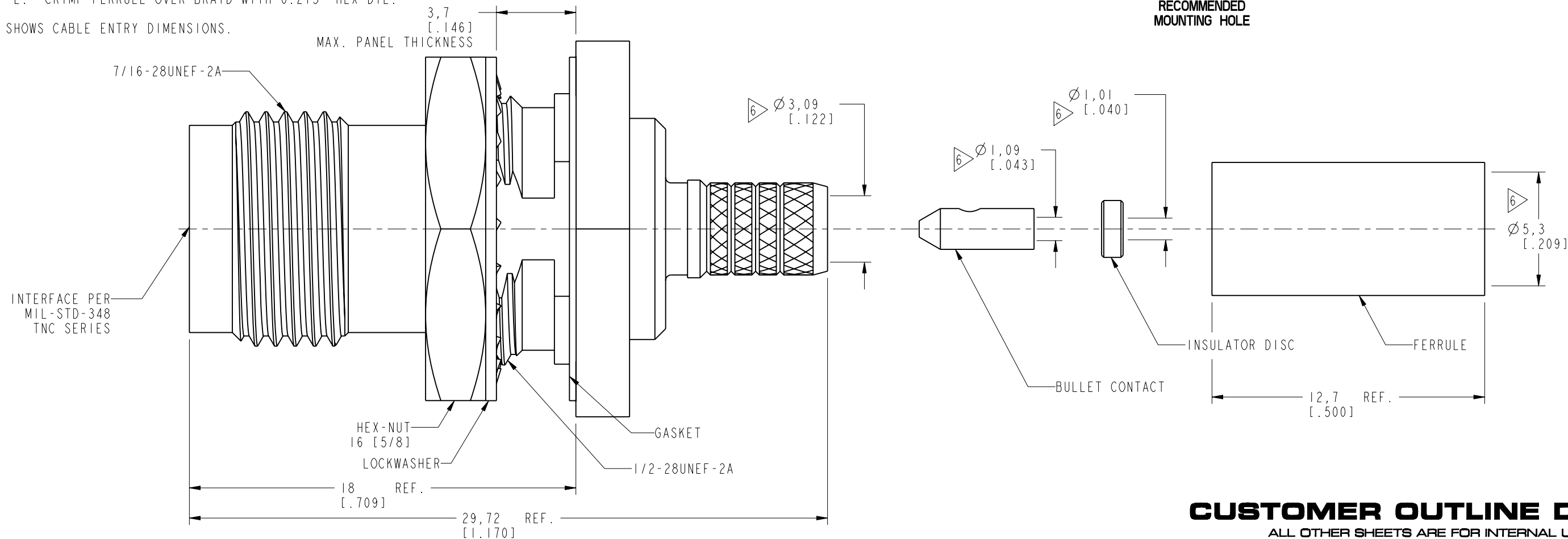
- ELECTRICAL:
  - A. IMPEDANCE: 50 OHM
  - B. FREQUENCY RANGE: DC - 6 GHz
  - C. VSWR(RETURN LOSS): 1.1 (26.444 dB), MAX.
  - D. DIELECTRIC WITHSTANDING VOLTAGE: 1000 VRMS, MIN.

- MECHANICAL:
  - A. DURABILITY: 500 CYCLES MIN.
  - B. TEMPERATURE RANGE: -65° C TO +165° C

- PACKAGING:
  - A. QUANTITY: SINGLE PACK
  - B. MARKING: BAG TO BE MARKED "AMPHENOL RF, 31-6824, AND DATE CODE"

- RECOMMENDED CABLE ASSEMBLY INSTRUCTIONS:
  - A. TRIM CABLE AS SHOWN.
  - B. SLIDE FERRULE AND INSULATOR DISC ONTO CABLE.
  - C. SOLDER CABLE CENTER CONDUCTOR TO BULLET CONTACT.
  - D. INSERT CABLE WITH FOIL ENTERING CONNECTOR AND BRAID OVER KNURL.
  - E. CRIMP FERRULE OVER BRAID WITH 0.213" HEX DIE.

6 SHOWS CABLE ENTRY DIMENSIONS.

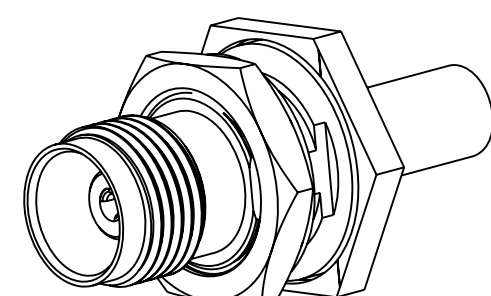


**CUSTOMER OUTLINE DRAWING**  
ALL OTHER SHEETS ARE FOR INTERNAL USE ONLY

THIRD ANGLE PROJ.

REVISIONS

REV	DESCRIPTION	DATE	ECO	APPR
A	RELEASE TO MFG.	25-May-18	08141	KCE



SCALE 2.000

UNLESS OTHERWISE SPECIFIED, DIMENSIONS ARE IN METRIC AND TOLERANCES ARE:				
<0.5mm	0.5 - 6mm	6 - 30mm	30 - 120mm	ANGLES
± 0.05mm	± 0.1mm	± 0.2mm	± 0.3mm	± 1°

NOTICE - These drawings, specifications, or other data (1) are, and remain the property of Amphenol corp. (2) must be returned upon request; and (3) are confidential and not to be disclosed to any person other than those to whom they are given by Amphenol Corp. the furnishing of these drawings, specifications, or other data by Amphenol Corp., or to any other person to anyone for any purpose is not to be regarded by implication or otherwise in any manner licensing, granting rights to permitting such holder or any other person to manufacture, use or sell any product, process or design, patented or otherwise, that may in any way be related to or disclosed by said drawings, specifications, or other data.

MATERIAL	
REFERENCE	EAR # 8049
CONFIGURATION LEVEL:	In Work
FINISH	

DRAWN	STAR	DATE	29-May-18
ENGINEER	SUNDE	DATE	29-May-18
APPROVED	S. HSIEH	DATE	29-May-18
CAD FILE			

TITLE	
TNC STR BLKHD JACK FOR LMR-195-UF CABLE	
SCALE: 5.0:1.0	SHEET 2 OF 2
DWG SIZE B	REV A

Amphenol RF	
www.amphenolrf.com	
DRAWING NO.	31-6824
ITEM NO.	31-6824
PART NO.	31-6824