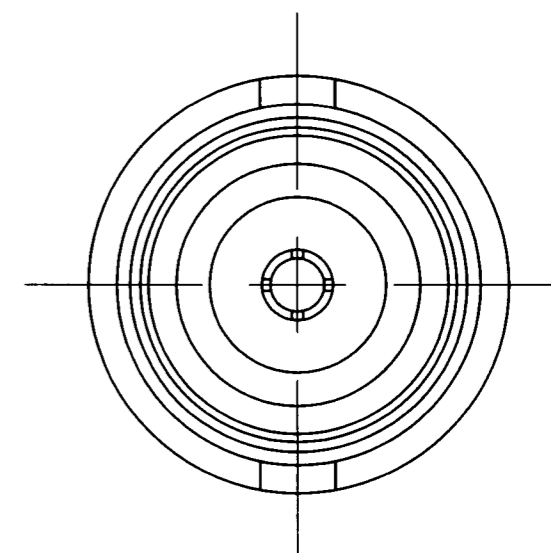
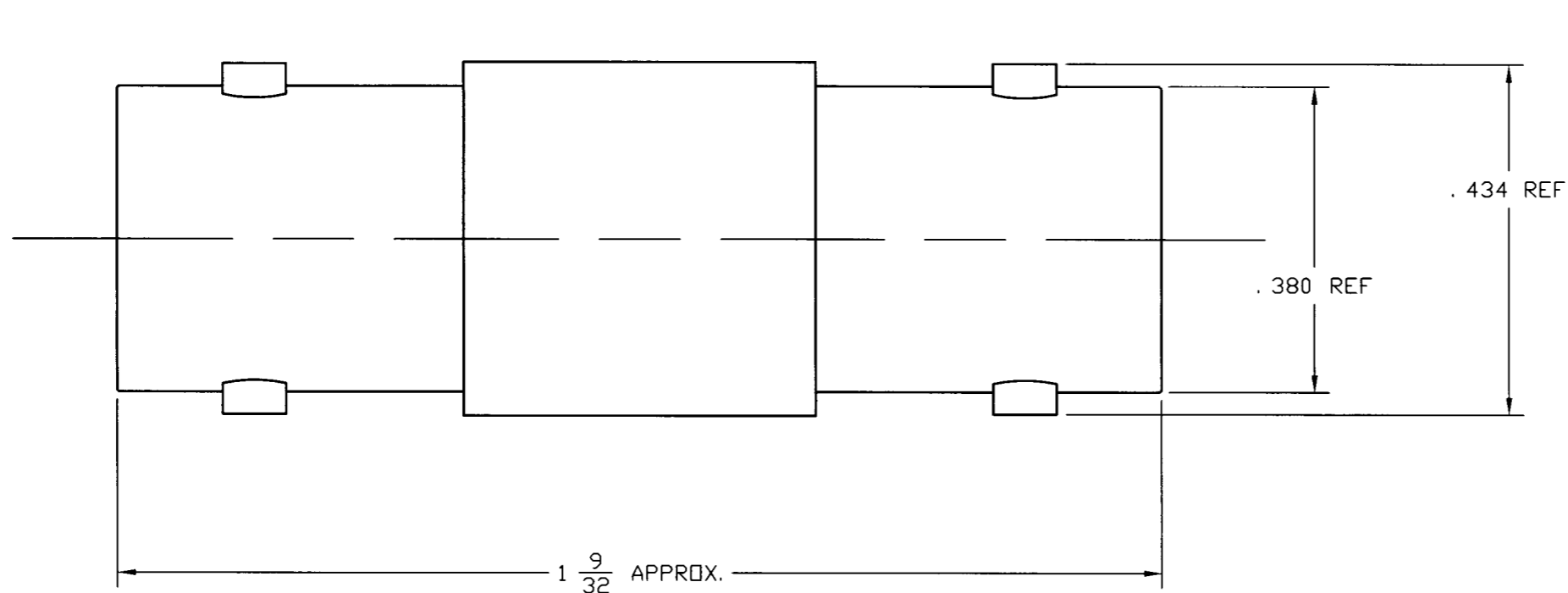


NOTES:

- MATERIALS OF CONSTRUCTION:
 BODY = BRASS, NICKEL PLATED.
 CONTACT = PHOSPHOR BRONZE, GOLD PLATED.
 INSULATOR = DELRIN.
- PACKAGE IN BAG #999-399.
- MATING FACE DIMENSIONS MUST CONFORM TO AMPHENOL DE652 APPENDIX II.
- DO NOT SCALE THIS DRAWING.
- UNLESS OTHERWISE SPECIFIED, ALL DIMENSIONS ARE AFTER PLATING.

31-70019

DRAWING NO.		REV	DESCRIPTION	DATE	ECO	APPR
THIRD ANGLE PROJ.			RELEASE TO MFG.			
		G	SEE SHEET 1	12/17/98	42999	CPM/



CUSTOMER OUTLINE DRAWING

UNLESS OTHERWISE SPECIFIED, DIMENSIONS ARE IN INCHES AND TOLERANCES ARE: 2 PLACE DECIMAL ±.015 (0,381 mm) 3 PLACE DECIMAL ±.005 (0,127 mm) ANGLES ± 1'	MATERIAL	DRAWN C. McGRATH	DATE 12/11/98	TITLE BNC ADAPTER 75 OHM	Amphenol Amphenol Corporation RF/Microwave Operations Danbury, Conn. U.S.A. 06810
	REFERENCE	ENGINEER T. AUBIN	DATE 12/11/98		
NOTICE - These drawings, specifications, or other data (1) are, and remain the property of Amphenol Corp. (2) must be returned upon request; and (3) are confidential and not to be disclosed to any person other than those to whom they are given by Amphenol Corp. The furnishing of these drawings, specifications, or other data by Amphenol Corp., or to any other person to anyone for any purpose is not to be regarded by implication or otherwise in any manner licensing, granting rights or permitting such holder or any other person to manufacture, use or sell any product, process or design, patented or otherwise, that may in any way be related to or disclosed by said drawings, specifications, or other data.		APPROVED	DATE	SCALE: 5: 1	SHEET 2 OF 2
		CAD FILE H: \DEPT611\BNC\031\ASSY\70019SH2	CODE ID 74868	DWG SIZE B	DRAWING NO. 31-70019