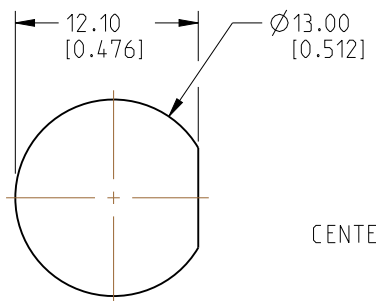


NOTES:

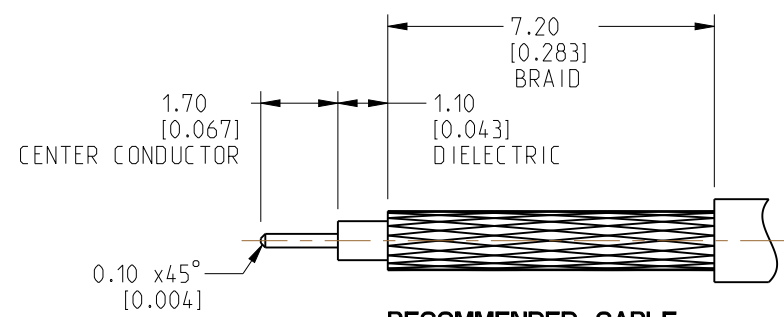
- MATERIALS AND FINISHES:**
 BODY, HEX NUT AND LOCK WASHER - BRASS, NICKEL PLATING
 CONTACT - BeCu, GOLD PLATING
 BULLET CONTACT - BRASS, GOLD PLATING
 INSULATOR - PTFE, NATURAL
 O-RING AND GASKET - SILICONE RUBBER, RED
 FERRULE - COPPER, NICKEL PLATING
- ELECTRICAL:**
 A. IMPEDANCE: 50 OHM
 B. FREQUENCY RANGE: DC - 9 GHz
 C. VSWR: 1.30 MAX. @ DC - 3 GHz
 1.40 MAX. @ 3 - 9 GHz
 D. DIELECTRIC WITHSTANDING VOLTAGE: 500 VRMS, MIN.
- MECHANICAL:**
 A. DURABILITY: 500 CYCLES MIN.
 B. TEMPERATURE RANGE: -65°C TO +165°C
 C. SEALING: MEETS IP-67 REQUIREMENTS IN UNMATED CONDITION

- PACKAGING:**
 A. QUANTITY: SINGLE PACK
 B. MARKING: PACKAGING TO BE MARKED
 "AMPHENOL RF, 31-7003 & DATE CODE"
 - CABLE ASSEMBLY INSTRUCTIONS:**
 A. TRIM CABLE AS SHOWN.
 B. SLIDE FERRULE ONTO CABLE.
 C. SOLDER CABLE CENTER CONDUCTOR TO BULLET CONTACT.
 D. INSERT CABLE WITH FOIL ENTERING CONNECTOR AND
 BRAID OVER KNURL.
 E. CRIMP FERRULE OVER BRAID WITH 0.110" HEX.
- 6 SHOWS CABLE ENTRY DIMENSIONS.

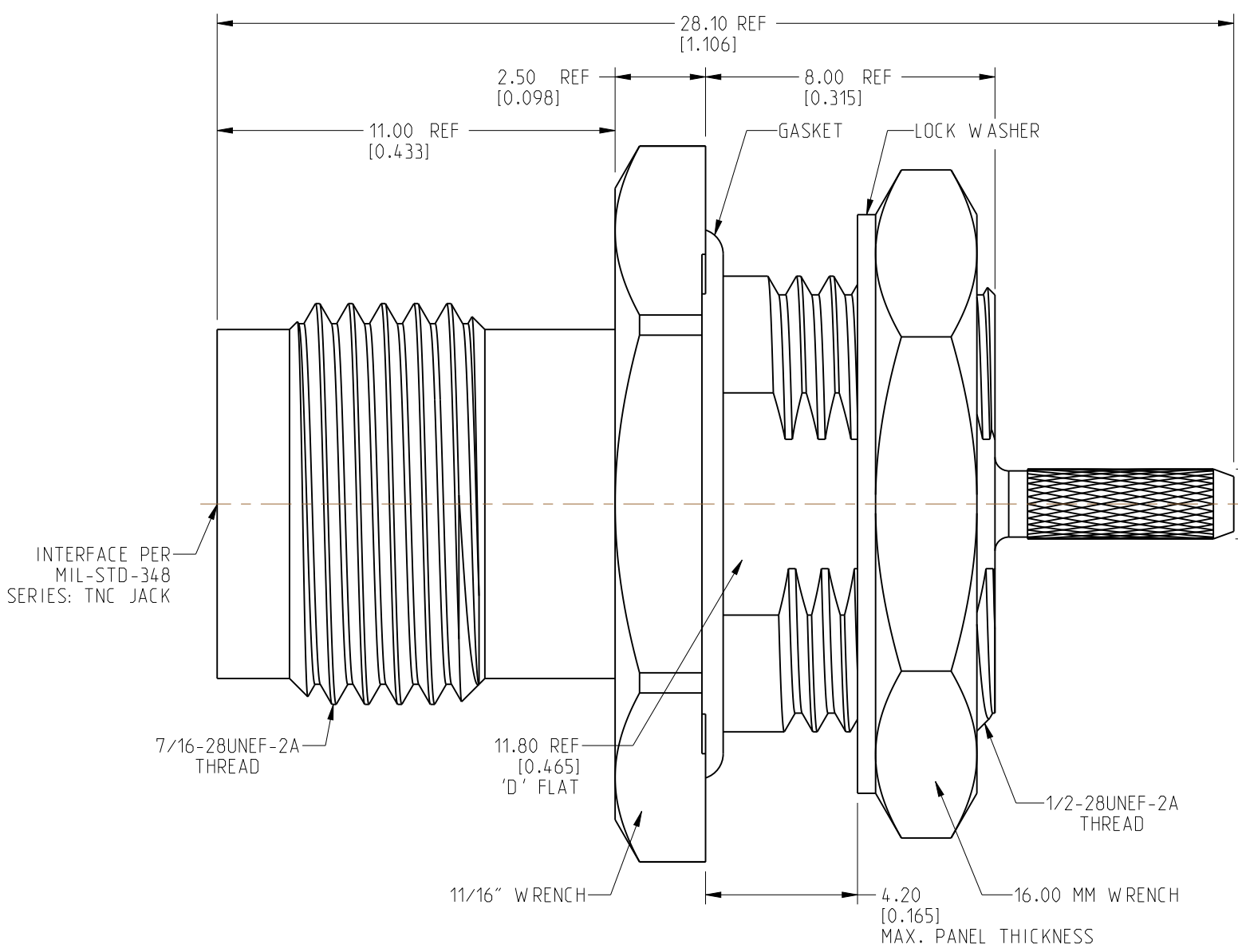
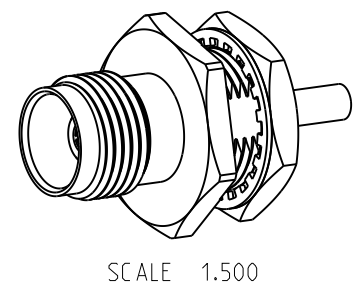
REVISIONS				
REV	DESCRIPTION	DATE	ECN	BY
A	RELEASE TO MFG.	02-FEB-23	16554	SH



RECOMMENDED MOUNTING HOLE DIMENSIONS



RECOMMENDED CABLE STRIPPING DIMENSIONS



INTERFACE PER MIL-STD-348 SERIES: TNC JACK

7/16-28UNEF-2A THREAD

11.80 REF [0.465] 'D' FLAT

1/2-28UNEF-2A THREAD

11/16" WRENCH

4.20 [0.165] MAX. PANEL THICKNESS

16.00 MM WRENCH

6 Ø0.92 [0.036]

6 Ø0.38 [0.015]

6 Ø2.54 [0.100]

Ø1.93 REF [0.076]

BULLET CONTACT

FERRULE

CUSTOMER OUTLINE DRAWING

ALL OTHER SHEETS ARE FOR INTERNAL USE ONLY

NOTICE: These drawings, specifications, or other data (1) are, and remain the property of Amphenol corp. (2) must be returned upon request; and (3) are confidential and not to be disclosed to any person other than those to whom they are given by Amphenol Corp. The furnishing of these drawings, specifications, or other data by Amphenol Corp., or to any other person to anyone for any purpose is not to be regarded by implication or otherwise in any manner licensing, granting rights to permitting such holder or any other person to manufacture, use or sell any product, process or design, patented or otherwise, that may in any way be related to or disclosed by said drawings, specifications, or other data.

THIRD ANGLE PROJ. REFERENCE EAR# 10560

UNLESS OTHERWISE SPECIFIED DIMENSIONS ARE METRIC (INCHES) AND TOLERANCES ARE:

<0.5mm = ±0.05mm	[<0.020 = ±0.002]
0.5 - 6mm = ±0.1mm	[>0.020 - 0.236 = ±0.004]
>6.00 - 30mm = ±0.2mm	[>0.236 - 1.181 = ±0.008]
>30.00 - 120mm = ±0.3mm	[>1.181 - 4.725 = ±0.012]

ANGLES = ±1°

MATERIAL	SEE NOTES
ENGR.1	KAVI S
ENGR.2	M.ZHANG
DATE	23-DEC-22

TITLE	TNC STR BHD JACK FRONT MOUNT IP 67 FOR RG 178 CABLE
SHEET NO.	2 OF 2
SCALE:	6.0:1.0

Amphenol RF		REV A
SIZE	DRAWING NO. 31-7003	
	ITEM NO. 31-7003	
	PART NO. 31-7003	