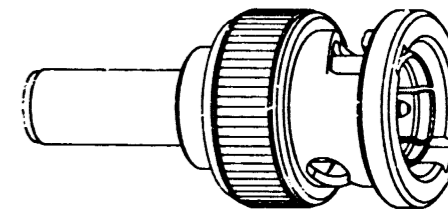


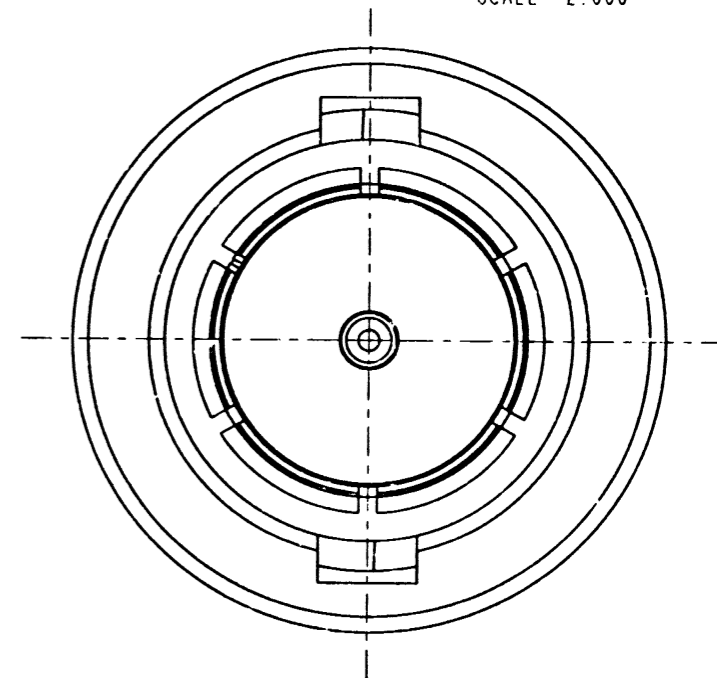
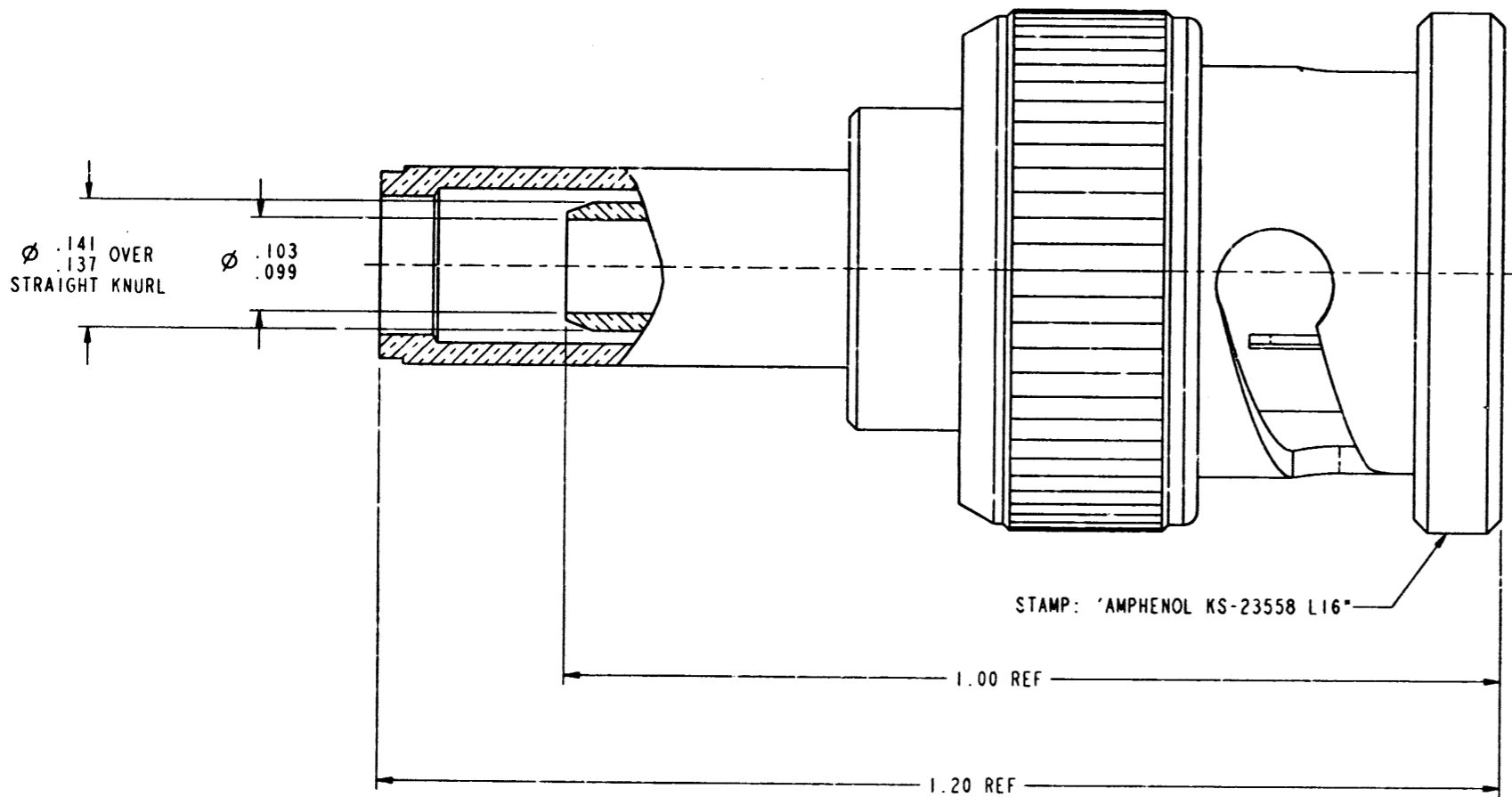
NOTES:

- MATERIALS OF CONSTRUCTION:  
 INSULATOR - PTFE  
 SPRING WASHER - BERYLLIUM COPPER, NICKLE PLATE  
 CONTACT - BRASS, GOLD PLATE  
 ALL OTHER METAL PARTS - BRASS, NICKEL PLATE
- THIS CONNECTOR MATES WITH ANY 75Ω JACK.
- THIS CONNECTOR MEETS THE REQUIREMENTS OF LUCENT SPEC. KS-23558 AND L-738427.
- FOR ASSEMBLY INSTRUCTIONS SEE 999-595.
- DO NOT SCALE THIS DRAWING.

31-70229-XXXX		REVISIONS			
DRAWING NO.	REV	DESCRIPTION	DATE	ECO	APPR
THIRD ANGLE PROJ.	A	OFFICIAL ENG. RELEASE TO MFG.	3/10/99	42815	CPM/



SCALE 2.000



CUSTOMER OUTLINE DRAWING  
FOR REFERENCE ONLY

DRAWING NO.	PACKING
31-70229-1001	1 PER BAG
31-70229-1012	12 PER BAG
31-70229-1100	100 PER BAG

UNLESS OTHERWISE SPECIFIED, DIMENSIONS ARE IN INCHES AND TOLERANCES ARE:  
 2 PLACE DECIMAL 3 PLACE DECIMAL ANGLES  
 ±.015 (0.381 mm) ±.005 (0.127 mm) ± 1°

NOTICE - These drawings, specifications, or other data (1) are, and remain the property of Amphenol Corp. (2) must be returned upon request; and (3) are confidential and not to be disclosed to any person other than those to whom they are given by Amphenol Corp. The furnishing of these drawings, specifications, or other data by Amphenol Corp., or to any other person to anyone for any purpose is not to be regarded by implication or otherwise in any manner licensing, granting rights or permitting such holder or any other person to manufacture, use or sell any product, process or design, patented or otherwise, that may in any way be related to or disclosed by said drawings, specifications, or other data.

MATERIAL

REFERENCE  
 EAR 967149-2  
 GEN# ASSY16\_BNC  
 31-70229-0001

DRAWN C. McGRATH	DATE 22-Jan-99
ENGINEER G. ANTONINI	DATE 22-Jan-99
APPROVED <i>[Signature]</i>	DATE 3/10/99
CAD FILE I:\BNC_75\31-70229-XXXX	

TITLE  
 75 OHM BNC PLUG FOR  
 AT&T 735A CABLE

**Amphenol**  
 Amphenol Corporation  
 Communication and Network  
 Products Division  
 Danbury, CT U.S.A. 06810

SCALE 6.0:1 SHEET 1 OF 1

CODE ID 74868	DWG SIZE B	DRAWING NO. 31-70229-XXXX	REV A
------------------	---------------	------------------------------	----------