

4

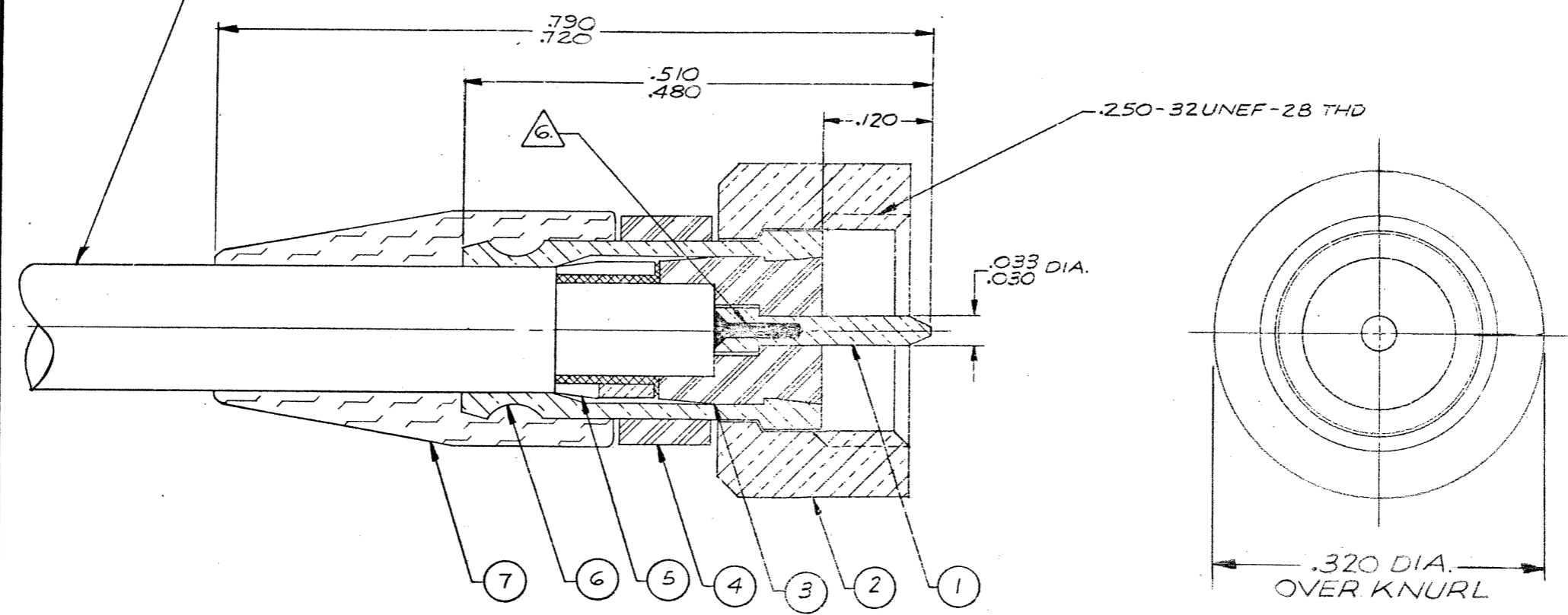
3

2

1

REVISIONS					
ZONE	LTR	ECN	DESCRIPTION	DATE	APPROVED
	P	24298	REVISED & REDRAWN for 8-22-79 ORIGINAL RELEASE 12-25-59 M.F.M. AND G.P.F.	9/25/79	RAY
	R	36837	ITEM 7, WAS 003-006A-0000	3-31-97	ES
	S	38597	UPDATE REV LETTER	2/11/79	ES

CABLE ACCEPTANCE DIMENSIONS  
 JACKET DIA. .134 MAX  
 SHIELD DIA. .118 MAX  
 DIELECTRIC DIA. .100 MAX  
 INNER CONDUCTOR DIA. .015 MAX



Tyco Dwg 1466114  
 Micro P/N 03200170001

- NOTES: UNLESS OTHERWISE SPECIFIED.
- THIS CONNECTOR MATES WITH ALL S-93 JACKS AND RECEPTACLES AS LISTED IN MALCO CATALOG.
  - FOR ASSEMBLY INSTRUCTIONS SEE RF-ASMB-95.
  - MALCO ASSEMBLY TOOL # 010-0005-0000 REQ'D.
  - SILVER PLATE .0002 MIN. PER QQ-S-365, TYPE II, GRADE A.
  - GOLD PLATE PER MIL-G-45204, TYPE II, GRADE C, CLASS I.
  - INNER CONDUCTOR SOLDERED TO PIN CONTACT.

QTY REQD	CODE IDENT	PART OR IDENTIFYING NO.	DESCRIPTION	MAT'L AND SPEC.	ITEM NO.
1		003-0272-0000	BEND RELIEF CAP	SILICONE RUBBER, ZZ-R-765	7
1		000-2501-0053	FERRULE	BRASS PER QQ-B-626	6
1		000-5301-0007	JERK RING	BRASS PER QQ-B-626	5
1		000-4801-0012	SLEEVE, PIN PROTECTOR	TEFLON PER L-P-403	4
1		000-0301-0125	INSULATOR	TEFLON PER L-P-403	3
1		000-2001-0053	NUT	BRASS PER QQ-B-626	2
1		003-0360-0002	CONTACT, PIN	BRASS PER QQ-B-626	1

UNLESS OTHERWISE SPECIFIED DIMENSIONS ARE IN INCHES TOLERANCES ARE:		CONTRACT NO.		MALCO A MICRODOT COMPANY, INC. 220 PASADENA AVE., SO. PASADENA, CALIF. 91030	PROD. CODE 931 CODE CDM
FRACTIONS	DECIMALS	ANGLES	APPROVALS		
±	.XX ±	±	DRAWN	8-22-79	PLUG, STRAIGHT S-93 SERIES
	.XXX ± .010		CHECKED	9-13-79	
			PR. ENG.	9-14-79	
			APPL.		
MATERIAL		FINISH		SIZE	CODE IDENT NO.
NOTED		NOTED		B	98278
NEXT ASSY		USED ON		DRAWING NO.	
				032-0017-0001	
APPLICATION		DO NOT SCALE DRAWING		SHEET 1 OF 1	

D

C

B

A