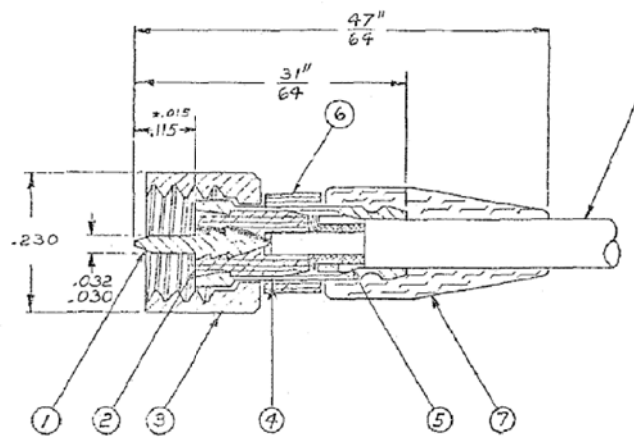


THIS DRAWING IS UNPUBLISHED. RELEASED FOR PUBLICATION
 © COPYRIGHT BY TYCO ELECTRONICS CORPORATION. ALL RIGHTS RESERVED.

LOC	DIST	REVISIONS			
P	LTR	DESCRIPTION	DATE	OWN	APPD
L1		DRAWING MAINTENANCE	12-16-05	JDM	MKS

CODE
CDM 032-0025-0001

CABLE ACCEPTANCE DIMS.
 JACKET D. --- .093 MAX.
 DIELECTRIC D. --- .050 MAX.
 CENTER CONDUCT. --- .013 MAX.



003-0270-0000	B. R. CAP	SILICONE RUBBER ZZ-R-165	⑦
003-0597-0001	SLEEVE	TEFLON PER L-P-403	⑥
005-2319-0001	RING	BRASS PER QQ-B-626	⑤
003-0326-0001	FERRULE	BRASS PER QQ-B-626	④
003-0029-0001	NUT	BRASS PER QQ-B-626	③
003-0027-0001	BUSHING	TEFLON PER L-P-403	②
003-0359-0002	PIN	BRASS PER QQ-B-626	①
COMPONENT NOMENCLATURE		MAT'L & SPEC	ITEM
NO			NO.

- ⑧ MALE DIAMOND KNURL
 - ⑦ 150-32 UNF-2B THREAD.
 - ⑥ GOLD PLATE .0005 MIN. PER MIL-G-95204 TYPE II, CLASS I
 - ⑤ SILVER PLATE .0002-.0004 PER QQ-S-365
 - ④ DELETED
3. MALCO ASSY TOOL #T-3221 OR 010-0003-0000 REQD.
 2. FOR ASSY INSTRUCTIONS SEE RF-ASMB-88.
 1. THIS CONNECTOR MATES WITH ALL S-50 JACKS AND RECEPTACLES AS LISTED IN MALCO CATALOG
- NOTES: UNLESS OTHERWISE SPECIFIED

ASSEMBLY	NO. REQ'D	L1	SEE TYCO TITLE BLOCK
1	40891		UPDATE REV LETTER
NEXT ASSEMBLIES	LET	ECO	REVISION DESCRIPTION

STANDARD TOLERANCES UNLESS OTHERWISE SPECIFIED
 DEC. IN. .010
 FRACTIONAL .005
 ANGLES .005

MICRODOT INC.
 SOUTH PASADENA, CALIF.

SURFACE TREATMENT: NOTED
 MATERIAL: NOTED

APPROVED: G.R.F.
 CHECKED BY: M.F.M.
 DRAWN BY: M.F.M.
 SCALE: 1:1
 DATE: 7-4-54

PROD CODE: 931
 CODE: CDM
 DRAWING NUMBER: 032-0025-0001

PLUG

DIMENSIONS:		TOLERANCES UNLESS OTHERWISE SPECIFIED:		OTHER:	
INCHES	FRACT	± 1/32			
	0 PLC	±			
	1 PLC	±			
	2 PLC	±			
	3 PLC	± .010			
	4 PLC	±			
	ANGLES	±			

THIS DRAWING IS A CONTROLLED DOCUMENT.		DATE		NAME	
DRW	D. MORALES	12-16-05			
CHK	M. STORRY	12-16-05			
APPD	M. STORRY	12-16-05			

SIZE	CAGE CODE	DRAWING NO.	RESTRICTED TO
A2	98278	3-1532004-5	

TYCO ELECTRONICS CORPORATION
 HARRISBURG, PA 17105-3608

PLUG, STRAIGHT, S-50 SERIES,
 MICRODOT P/N 032-0025-0001
 TYCO P/N 3-1532004-5

CUSTOMER DRAWING
 SCALE: NONE
 SHEET: 1 of 1
 REV: 1.1

3-1532004-5