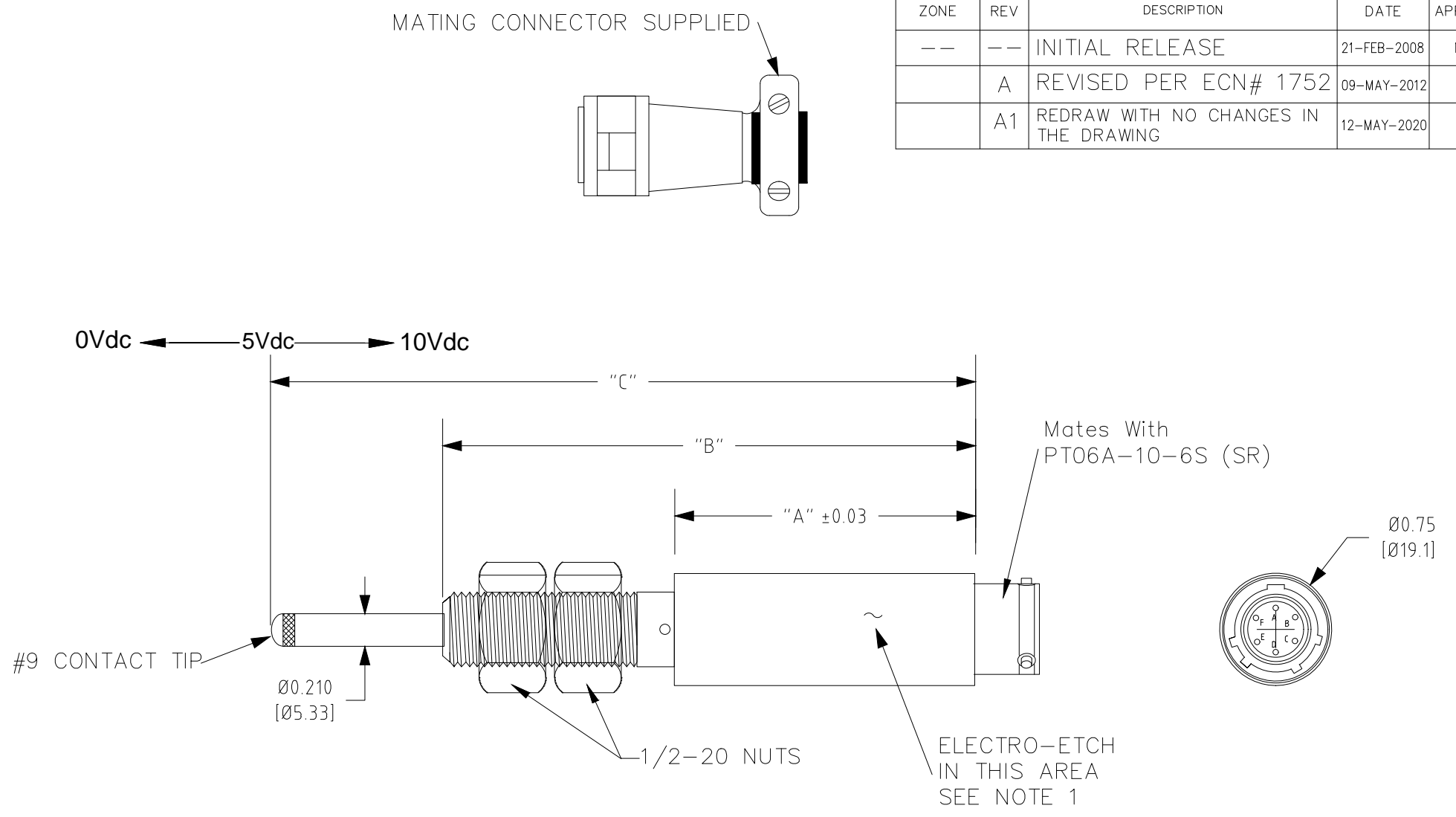


REVISIONS		DWG NO. 03297XXXXXX		
ZONE	REV	DESCRIPTION	DATE	APPROVED
--	--	INITIAL RELEASE	21-FEB-2008	MFG
	A	REVISED PER ECN# 1752	09-MAY-2012	
	A1	REDRAW WITH NO CHANGES IN THE DRAWING	12-MAY-2020	

COMMON SPECIFICATION	
INPUT VOLTAGE	24V DC (NOM)
INPUT VOLTAGE RANGE	14-26 VDC
INPUT CURRENT	35 mA (MAX)
OUTPUT VOLTAGE	0-10 VDC ±2% FULL RANGE
LINEARITY ERROR	±0.1% OF FULL RANGE (MAX)
NOISE RIPPLE	< 5 MICRO VOLTS RMS
OPERATING TEMPERATURE	-20°C to +85°C (0 TO 185°F)
OUTPUT IMPEDANCE	<200 OHMS

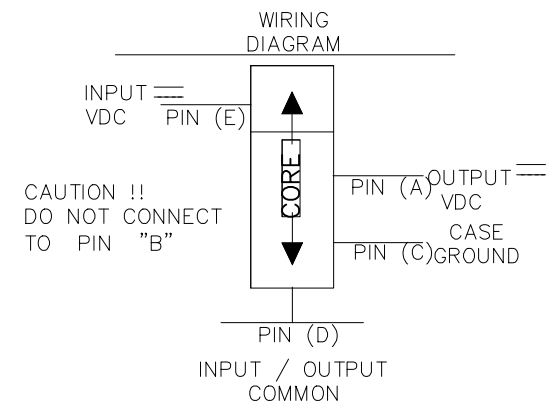
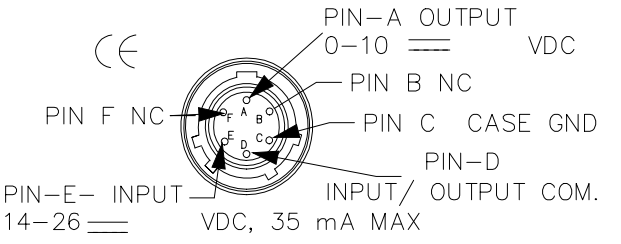
DESCRIPTION	LTR DIMENSIONS		
	DIM "A" ±0.03	DIM "B"	DIM "C"
GHSE 750 100	2.82 [71.6]	4.36 [110.7]	5.46 [138.7]
GHSE 750 250	3.44 [87.4]	4.99 [126.7]	6.10 [154.9]
GHSE 750 500	4.20 [106.7]	5.75 [146.1]	6.86 [174.2]
GHSE 750 1000	6.70 [170.2]	9.87 [250.7]	11.36 [288.5]
GHSE 750 2000	8.20 [208.3]	11.37 [289]	13.78 [350]

DESCRIPTION	SPECIFICATIONS FOR DISPLACEMENT			
	STANDARD		METRIC	
	ELECTRICAL STROKE	SCALE FACTOR V/INCH (NOM.)	ELECTRICAL STROKE	SCALE FACTOR V/mm (NOM.)
GHSE 750 100	0 - 0.10 INCH	100 VDC	0 - 2.5 mm	4.0 VDC
GHSE 750 250	0 - 0.25 INCH	40 VDC	0 - 6.0 mm	1.67 VDC
GHSE 750 500	0 - 0.50 INCH	20 VDC	0 - 12.5 mm	0.8 VDC
GHSE 750 1000	0 - 1.0 INCH	10 VDC	0 - 25 mm	0.4 VDC
GHSE 750 2000	0 - 2.0 INCH	5.0 VDC	0 - 50 mm	0.2 VDC



NOTES:
 1. ELECTRO-ETCH THE FOLLOWING:
 MACRO SENSORS
 PENNSAUKEN, N.J. 08110
 GHSE 750 XXXX
 SERIAL NO. XXXXX
 CAUTION! DO NOT CONNECT TO PIN B

2. ELECTRO-ETCH CONNECTOR INFO ON BODY OF UNIT ("CE" REQUIRED) AS FOLLOWS:



MODEL OPTIONS (STD, -006)			
STANDARD		METRIC DISPLACEMENT (-006)	
DESCRIPTION	PART NO.	DESCRIPTION	PART NO.
GHSE 750 100	0323 7000 0000	GHSE 750 100-006	0323 7000 0006
GHSE 750 250	0323 7010 0000	GHSE 750 250-006	0323 7010 0006
GHSE 750 500	0323 7020 0000	GHSE 750 500-006	0323 7020 0006
GHSE 750 1000	0323 7030 0000	GHSE 750 1000-006	0323 7030 0006
GHSE 750 2000	0323 7040 0000	GHSE 750 2000-006	0323 7040 0006

[] DENOTES MILLIMETER

UNLESS OTHERWISE SPECIFIED, DIMENSIONS ARE IN INCHES. TOLERANCES ARE : ANGLES : ± 2° FRACTIONS : ± 1/64 DECIMALS : .XX ± .010 .XXX ± .005	DRAFTER: ALJ	DATE: 08-FEB-2008	
	CHECKER:	DATE:	
MATERIAL :	APPROVED: MFG	DATE: 21-FEB-2008	TITLE: OUTLINE, GHSE-750 SERIES
	FINISH :	APPROVED:	DATE:
		SIZE/FSCM NO. B 06WW0	DWG NO. 03297XXXXXX
		SCALE: NTS (1/1)	REV A
		SHEET NO: 1 OF 1	

This Drawing & Specifications are the property of Macro Sensors, Div of Howard A. Schaevitz Technologies, Inc. DO NOT COPY without the written approval of Macro Sensors.