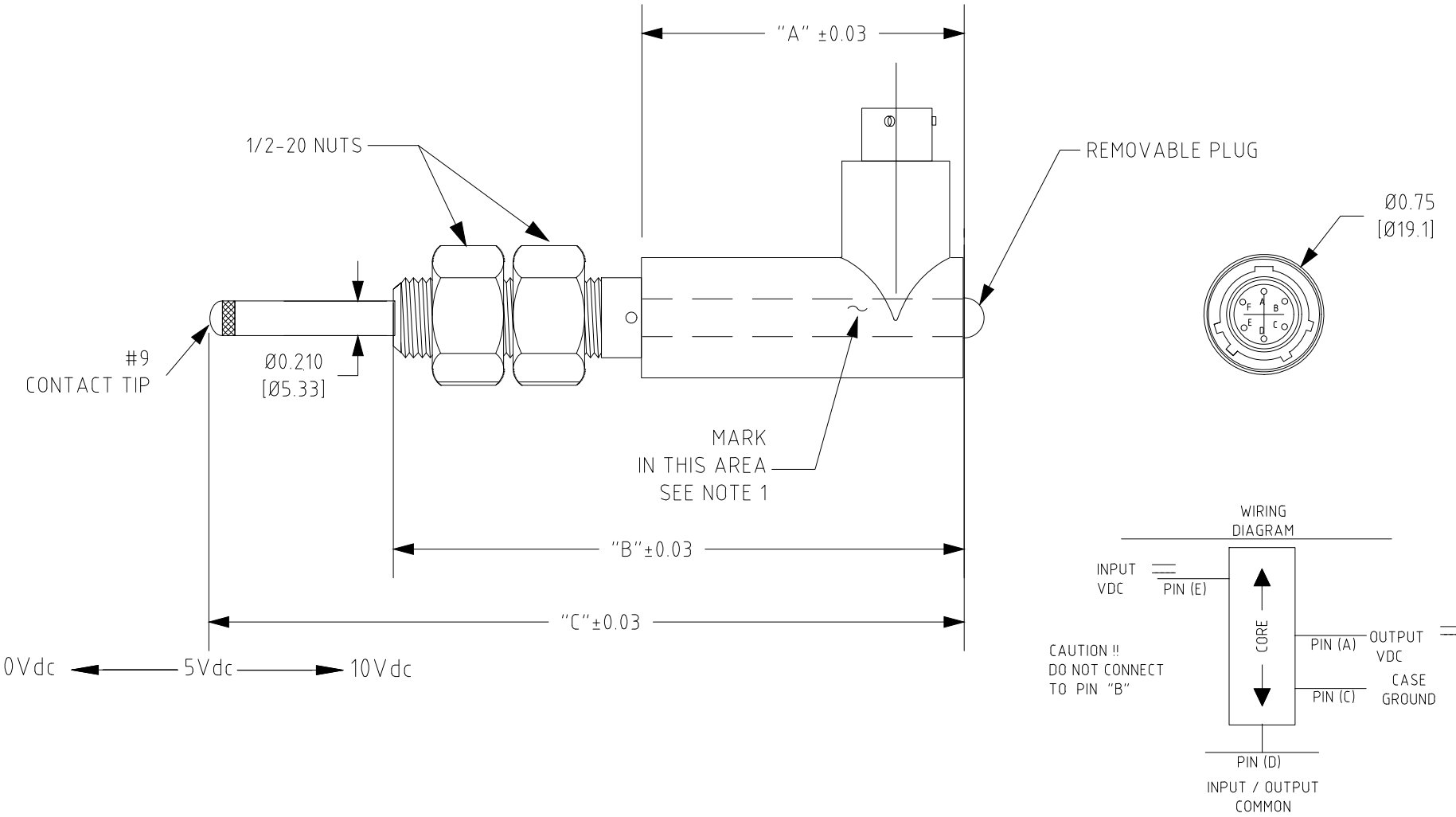
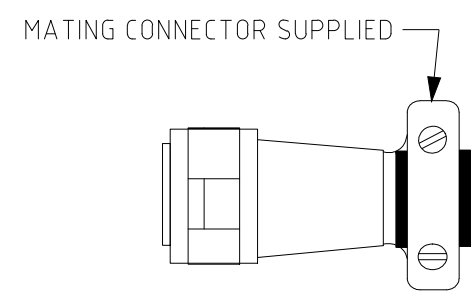
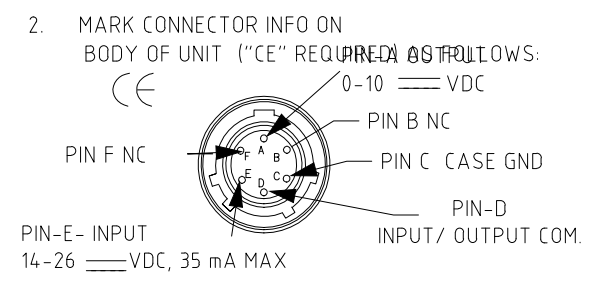


REVISIONS		DWG NO. 03298XXXXXXXX		
ZONE	REV	DESCRIPTION	DATE	APPROVED
--	--	INITIAL RELEASE	21-FEB-2008	MFG
	A	CHG LIN /DWG CORRECTION,SEE ECN 1815	13-SEP2012	MFG
	B	REVISED PER ECN # 2088	26-MAR-2015	
	B1	REDRAWN WITH NO CHANGES	18-JUN-2020	

COMMON SPECIFICATION	
INPUT VOLTAGE	24V DC (NOM)
INPUT VOLTAGE RANGE	14-26 VDC
INPUT CURRENT	35 mA (MAX)
OUTPUT VOLTAGE	0-10 VDC ±2% FULL RANGE
LINEARITY ERROR	±0.1% OF FULL RANGE (MAX)
NOISE RIPPLE	< 5 MICRO VOLTS RMS
OPERATING TEMPERATURE	-20°C to +85°C (0 TO 185°F)
OUTPUT IMPEDANCE	<200 OHMS

NOTES:  
 1. MARK THE FOLLOWING:  
 TE CONNECTIVITY  
 HERMOSILLO, MEXICO  
 GHSER 750 XXXX  
 SERIAL NO. XXXXX  
 CAUTION! DO NOT CONNECT TO PIN B



DESCRIPTION	LTR DIMENSIONS		
	DIM "A" ±0.03	DIM "B" ±0.03	DIM "C"
GHSER 750 100	2.82 [71.6]	4.36 [110.7]	5.46 [138.7]
GHSER 750 250	3.44 [87.4]	4.99 [126.7]	6.10 [154.9]
GHSER 750 500	4.20 [106.7]	5.75 [146.1]	6.86 [174.2]
GHSER 750 1000	6.70 [170.2]	9.87 [250.7]	11.36 [288.5]
GHSER 750 2000	8.20 [208.3]	11.37 [289]	13.78 [350]
GHSER 750 4000	11.71 [297.4]	17.19 [436.6]	21.75 [552.5]

DESCRIPTION	STANDARD		METRIC	
	ELECTRICAL STROKE	SCALE FACTOR V/INCH (NOM.)	ELECTRICAL STROKE	SCALE FACTOR V/mm (NOM.)
GHSER 750 100	0 - 0.10 INCH	100 VDC	0 - 2.5 mm	4.0 VDC
GHSER 750 250	0 - 0.25 INCH	40 VDC	0 - 6.0 mm	1.67 VDC
GHSER 750 500	0 - 0.50 INCH	20 VDC	0 - 12.5 mm	0.8 VDC
GHSER 750 1000	0 - 1.0 INCH	10 VDC	0 - 25 mm	0.4 VDC
GHSER 750 2000	0 - 2.0 INCH	5.0 VDC	0 - 50 mm	0.2 VDC
GHSER 750 4000	0 - 4.0 INCH	2.5 VDC	0 - 100 mm	0.1 VDC

MODEL OPTIONS (STD. - 006)			
STANDARD		METRIC DISPL. / (-006)	
DESCRIPTION	PART NO.	DESCRIPTION	PART NO.
GHSER 750 100	0323 8000 0000	GHSER 750 100-006	0323 8000 0006
GHSER 750 250	0323 8010 0000	GHSER 750 250-006	0323 8010 0006
GHSER 750 500	0323 8020 0000	GHSER 750 500-006	0323 8020 0006
GHSER 750 1000	0323 8030 0000	GHSER 750 1000-006	0323 8030 0006
GHSER 750 2000	0323 8040 0000	GHSER 750 2000-006	0323 8040 0006
GHSER 750 4000	0323 8050 0000	GHSER 750 4000-006	0323 8050 0006

This Drawing & Specifications are the property of TE Connectivity. DO NOT COPY without the written approval of TE Connectivity.

UNLESS OTHERWISE SPECIFIED, DIMENSIONS ARE IN INCHES. TOLERANCES ARE:  ANGLES : ± 2°      FRACTIONS : ± 1/64  DECIMALS : .XX ± .010 .XXX ± .005	DRAFTER: ALJ	DATE: 08-FEB-2008				
	CHECKER:	DATE:				
MATERIAL:	APPROVED: MFG	DATE: 21-FEB-2008	<b>TITLE:</b> OUTLINE, GHSER-750 SERIES			
	APPROVED:	DATE:				
FINISH:	APPROVED:	DATE:	SIZE B	FSCM NO. 06WW0	DWG NO. 03298XXXXXXXX	REV B1
			SCALE: NTS (1/1)	SHEET NO: 1 OF 1		

[ ] DENOTES MILLIMETER