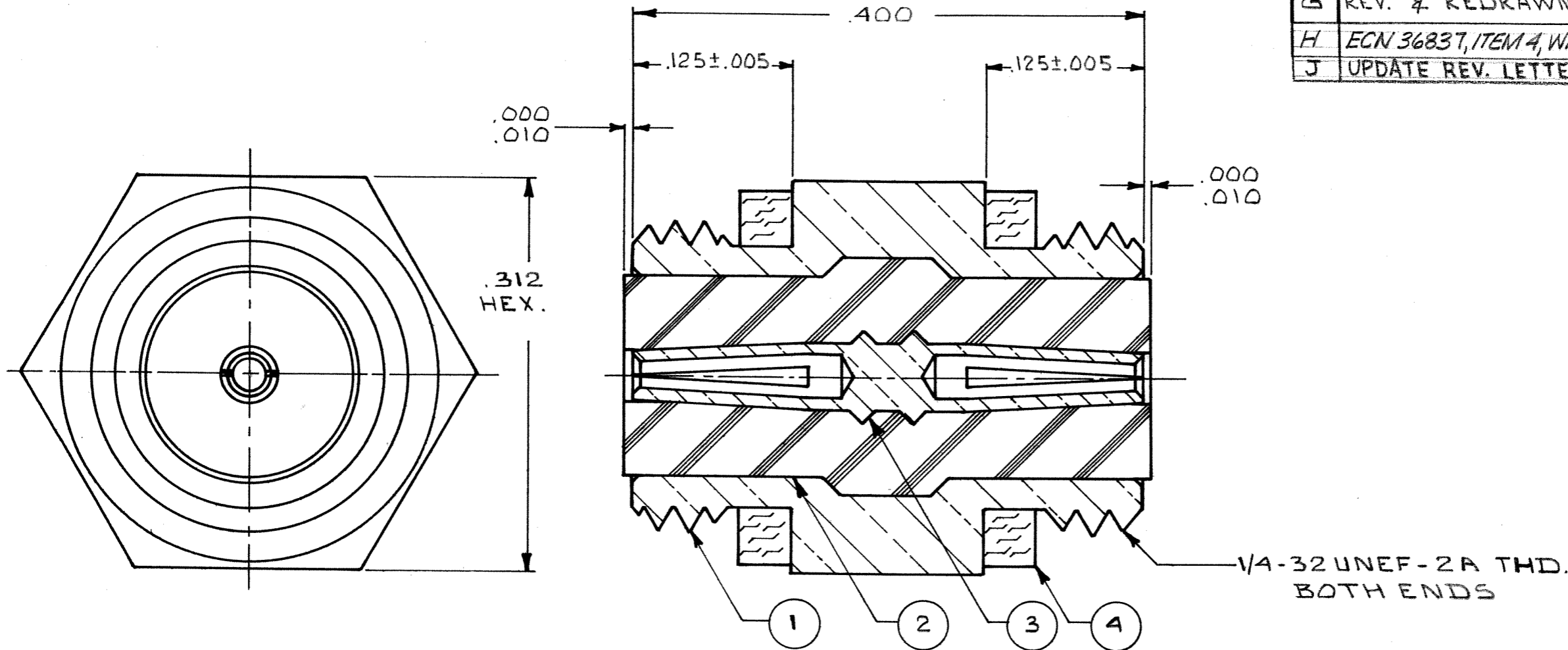


REVISIONS

SYM	DESCRIPTION	DATE	APPROVED
G	REV. & REDRAWN. SEE ECO13596	9/7/71	[Signature]
H	ECN 36837, ITEM 4, WAS 003-0070-0001	3-31-97	[Signature]
J	UPDATE REV. LETTER	1-22-99	[Signature]



Tyco Dwg 1467943
Micro P/N 033-0036-0001

NOTES: UNLESS OTHERWISE SPECIFIED.

- THIS CONNECTOR MATES WITH ALL 93 SERIES SCREW TYPE PLUGS AS LISTED IN MICRODOT CATALOG. (BOTH ENDS.)
- ALL METALLIC PARTS ARE SILVER PLATED .0002-.0004 PER QQ-S-365, TYPE II, GRADE A. EXCEPT SOCKET CONTACT IS GOLD PLATED PER MIL-G-45204, TYPE II, CLASS I OVER COPPER PER MIL-C-14550, CLASS A.

QTY. REQD.	PART NO.	NOMENCLATURE OR DESCRIPTION	MATERIAL & SPECIFICATION	ITEM NO.
2	003-0269-0000	GASKET	SILICONE RUBBER, ZZ-R-765	4
1	000-0201-0073	SOCKET CONTACT	BERYLLIUM COPPER PER QQ-C-530	3
1	000-0301-0071	INSULATOR	TEFLON PER L-P-403	2
1	003-0138-0001	HOUSING	BRASS PER QQ-B-626	1

LIST OF MATERIAL OR PARTS LIST

UNLESS OTHERWISE SPECIFIED		DRAWN	J.B.D.	1/28/54	MICRODOT INC. 220 PASADENA AVE. SO. PASADENA, CALIF.
DIMENSIONS ARE IN INCHES		CHECK			
TOLERANCES		PR. ENG.			
DECIMALS	FRACTIONS	CHF. ENG.	G.P. FELTS	1/28/54	
XX±	± 1/64"	MATERIAL		NOTED	
XXX±	± 1/64"	SURFACE TREATMENT		NOTED	
XXXX±	± 1/64"	SURFACE ROUGHNESS		✓	
ANGLES±	2°	TOP ASSY.		DO NOT SCALE THIS DWG	

SIZE	CODE IDENT.	CODE	033-0036-0001
B	No. 98278	CDM	
SCALE 10 X	WT	SHEET 1 OF 1	