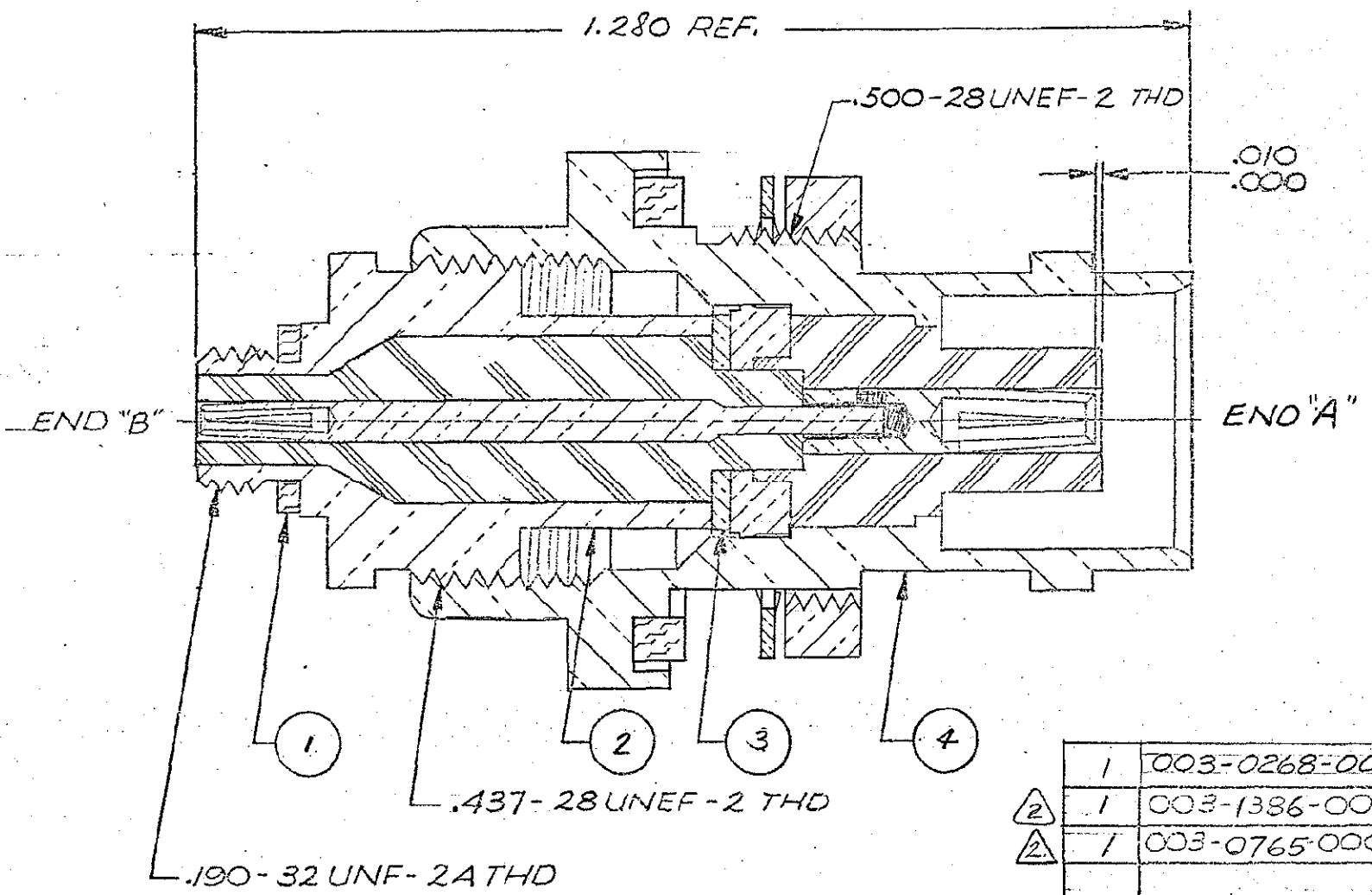


4 3 2 1

REVISIONS					
ZONE	LTR	ECN	DESCRIPTION	DATE	APPROVED
	N	25931	REVISED & REDRAWN ORIGINAL RELEASE 11/3/86 BY (M.F.M.G.P.F.)	7-2-81	hfg
	P	32024	INSULATOR IS: 000-0301-0187 WAS: 003-0931-0001 003-0932-0001	5/23/89	hfg
	R	36837	ITEM 1, WAS 003-0011-0001	3-31-97	hfg
	S	38919	REVISION UPDATE	5-10-99	hfg



NOTES: UNLESS OTHERWISE SPECIFIED.
 1. END "B" MATES WITH ALL 50 SERIES SCREW TYPE PLUGS.
 END "A" MATES WITH ALL BNC SERIES PLUGS.
 2. SILVER PLATE .0002 MIN. PER QQ-S-365, TYPE II, GRADE A.
 3. GOLD PLATE PER MIL-G-45204, TYPE II, GRADEC, CLASS I.

QTY	PART NO.	DESCRIPTION	MAT'L AND SPEC.	ITEM NO.
1	003-0268-0000	GASKET	SILICONE RUBBER, ZZ-R-765	1
1	003-1386-0001	RECEPT. SUBASSY, BNC UG-90/U		4
1	003-0765-0001	WASHER	BRASS PER QQ-B-626	3
1	003-0372-0002	CONTACT, SOCKET	BERYLLIUM COPPER, QQ-C-530	
1	003-0388-0002	CONTACT, SOCKET	BERYLLIUM COPPER, QQ-C-530	
1	000-0301-0187	INSULATOR	TEFLON PER ASTM D 1710	
1	003-0389-0001	HOUSING	BRASS PER QQ-B-626	
1	003-0845-0001	ADAPTER SUBASSY, S-50 RECEPT.		2

PARTS LIST

UNLESS OTHERWISE SPECIFIED DIMENSIONS ARE IN INCHES TOLERANCES ARE: FRACTIONS DECIMALS ANGLES ± .XX ± ± XXX ± .010		CONTRACT NO.		MILCO A MICRODOT COMPANY, INC. 306 PASADENA AVE., SO. PASADENA, CALIF. 91030	PROD. CODE 331 CODE C.D.M.	
MATERIAL		APPROVALS	DATE			
FINISH		CHECKED	DATE			
NEXT ASSY		PR. ENG.	DATE			
USED ON		APPROVED	DATE	SIZE	CODE IDENT NO.	DRAWING NO.
APPLICATION		DO NOT SCALE DRAWING		B	98278	033-0090-0001
				SCALE	SHEET 1 OF 1	