

NOTES: UNLESS OTHERWISE SPECIFIED  
 1. DESIGNED FOR USE WITH BELDEN 1505A CABLE OR EQUIVALENT.

2. MATERIAL SPECIFICATIONS:  
 BODY, CENTER CONTACT & FERRULE: BRASS PER ASTM B16.  
 OUTER CONTACT : COPPER ALLOY.  
 INSULATOR: TEFLON PER ASTM D1710.

3. FINISH SPECIFICATIONS:  
 BODY & FERRULE: .000100 MIN NICKEL PER AMS-QQ-N-290 OVER COPPER FLASH PER ASTM B734 (RoHS).  
 CONTACT: .000030 MIN GOLD PER ASTM B488 OVER .000080 MIN NICKEL PER AMS-QQ-N-290 (RoHS).

4. ELECTRICAL SPECIFICATIONS:  
 IMPEDANCE: 75 OHMS  
 FREQUENCY RANGE: DC-12.0 GHz  
 RETURN LOSS: -30dB MAX TO 3.0 GHz; -25dB MAX TO 6.0 GHz; -20dB MAX TO 12.0 GHz

5. COMPLIANT TO 3G/6G/12G-SDI SMPTE REQUIREMENTS.

6. CONTACT AND FERRULE SHIPPED LOOSE.

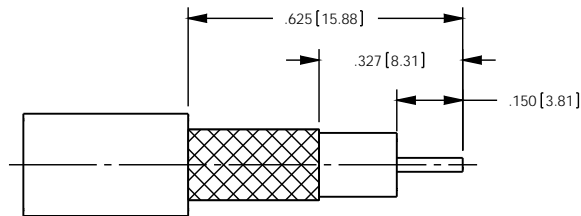
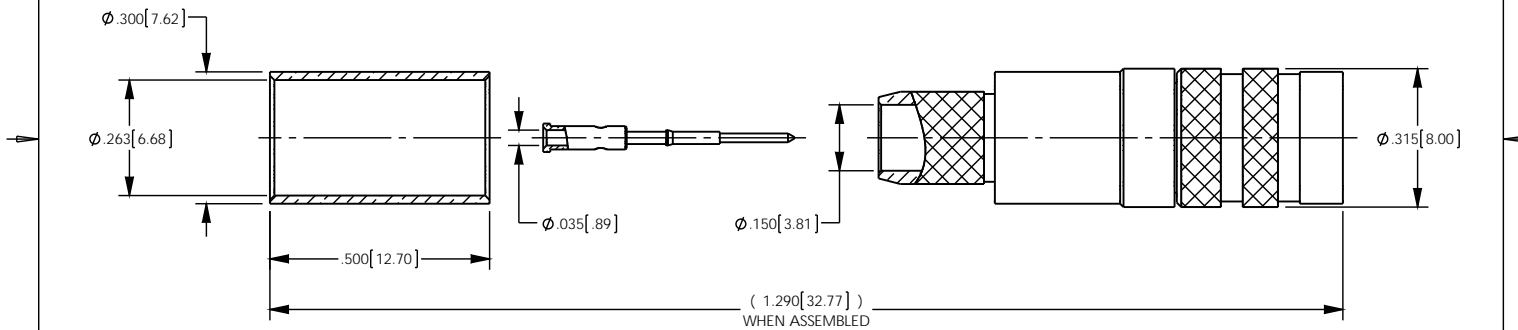
7. INTERFACE PER CECC 22230.

8. CRIMP FERRULE (.255 HEX) AND CONTACT (.042 HEX) USE KINGS KTH-1000 AND KTH-2261.

9. ASSEMBLE TO CABLE PER CAP-E03.

REV	DESCRIPTION	BY DATE	APPD
E	REVISED PER ER057798	STJ/D/PD 11/	VA

P/N	DESCRIPTION	QTY
0345-E00-C7101N	SINGLE PACK	1
0345-E00-C7101NU	BULK PACK	400



RECOMMENDED CABLE TRIM DIMENSIONS

CATALOG P/N: 0345-E00-C7101N

PER ASME Y14.5M-1994 UNLESS OTHERWISE SPECIFIED: DIMENSIONS ARE IN INCHES (MM) TOLERANCES: DECIMAL: XX (X.X) ± .01 (0.3) .XXX (X.XXX) ± .005 (0.13) .XXXX (X.XXXX) ± .XXXX ANGLES: ± 2° SCALE: 2:1		 by WINCHESTER Winchester Electronics Corporation 62 Barnes Industrial Road North Wallingford, Connecticut 06492			
<b>CUSTOMER SALES DRAWING</b>					
DRAWN DW	DATE 04/26/10	APPROVED Dcam	DATE 05/07/10	75 OHM 1.0/2.3 PLUG FOR BELDEN 1505A CABLE OR EQUIVALENT (RoHS COMPLIANT)	
APPROVED WPM	DATE 05/10/10	APPROVED XXX	DATE XX/XX/XX		A
sd0345-e00-c7101n				SHIT OF 1 1	REV E