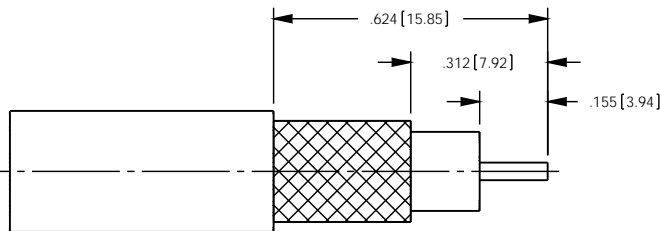
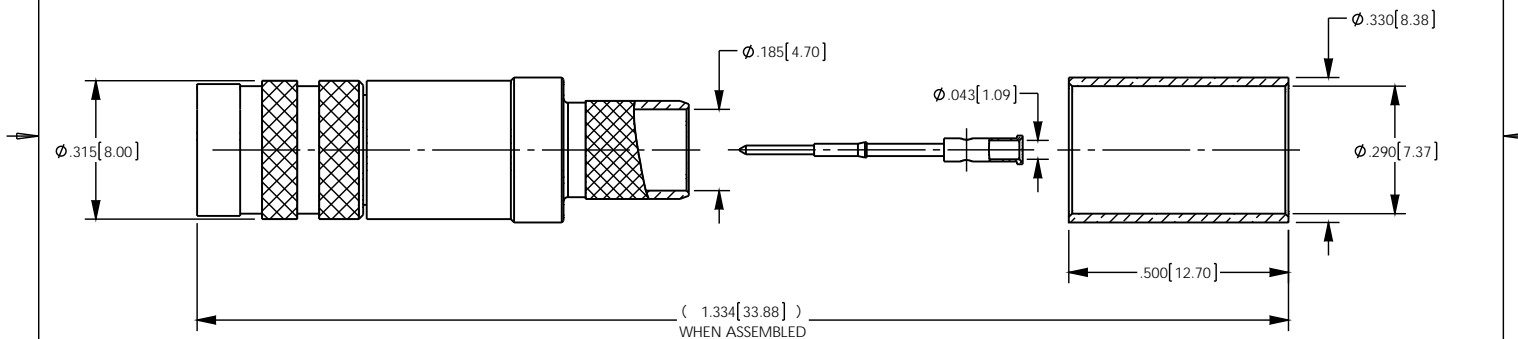


NOTES: UNLESS OTHERWISE SPECIFIED

1. INTERFACE PER CECC 22230.
2. MATERIAL SPECIFICATIONS:
 BODY, FERRULE : BRASS PER ASTM B16.
 OUTER CONTACT & CONTACT: BERYLLIUM COPPER, ASTM B-196.
 INSULATOR: TEFLON PER ASTM D1710.
3. FINISH SPECIFICATIONS:
 FERRULE: .000050 MIN NICKEL PER AMS-QQ-N290 OVER .000050 MIN COPPER PER ASTM B734 (ROHS).
 CONTACT: .000030 MIN GOLD PER ASTM B488 OVER .000080 MIN NICKEL PER AMS-QQ-N-290 (RoHS).
 ALL OTHER METAL PARTS: .000100 MIN NICKEL PER AMS-QQ-N-290 OVER COPPER FLASH PER ASTM B734 (RoHS).
4. CONTACT AND FERRULE SHIPPED LOOSE.
5. DESIGNED FOR USE WITH BELDEN 1694A, GEPCO VSD2001 OR EQUIVALENT CABLE.
6. FOR CRIMPING USE KINGS KTH-5000 & KTH-5017 OR KTH-1000 & KTH-2325 (.046 AND .278 HEX CAVITY).
7. ASSEMBLE TO CABLE SEE 3-661-1.
8. ELECTRICAL SPECIFICATIONS:
 IMPEDANCE: 75 OHMS
 FREQUENCY RANGE: DC-12.0 GHz
 RETURN LOSS: -30dB MAX TO 3.0 GHz; -25dB MAX TO 6.0 GHz; -20dB MAX TO 12.0 GHz
9. COMPLIANT TO 3G/6G/12G-SDI SMPTE REQUIREMENTS.

REV	DESCRIPTION	BY DATE	APPD
C	UPDATED PER ER057798	JL 04/22/11	VA

P/N	DESCRIPTION	QTY
0345-E00-C90001N	SINGLE PACK	1
0345-E00-C90001NU	BULK PACK	400



RECOMMENDED CABLE TRIM DIMENSIONS

CATALOG P/N: 0345-E00-C90001N

PER ASME Y14.5M-1994 UNLESS OTHERWISE SPECIFIED: DIMENSIONS ARE IN INCHES (MM) TOLERANCES: DECIMAL: XX (X.X) ± .01 (0.3) XXX (X.XXX) ± .005 (0.13) XXXX (X.XXXX) ± .XXX ANGLES: ± 2° SCALE: 3:1				 by WINCHESTER Winchester Electronics Corporation 62 Barnes Industrial Road North Wallingford, Connecticut 06492	
CUSTOMER SALES DRAWING			THIRD ANGLE	75 OHM 1.0/2.3 PLUG FOR BELDEN 1694A CABLE OR EQUIVALENT (ROHS COMPLIANT)	
DRAWN CY	DATE 04/20/11	APPROVED DCam	DATE 04/22/11		
APPROVED XXX	DATE XX/XX/XX	APPROVED XXX	DATE XX/XX/XX	A	SD0345-E00-C9001N
				SHT	OF
				1	1
				REV	C