

INTRODUCTIONS

1. Designed as a general purpose filter with a switch effective EMI suppression for both common and differential mode noise.
2. With optional resistor and Y capacitance 3300pF/1000pF
3. Bleeder resistor is added with suffix "-R".
4. Switch electrical lifetime : 10,000 cycles.
Maximum inrush current : 50A.

COMPONENTS

PART NO.	Cx (uF)	L (mH)	Cy (pF)	R (Ω)	Lg (mH)
03BEEG3G/NG3G/-R	0.1	2.4	2200	1M	0.12
03BEEG3GA/NG3GA/-R					
06BEEG3G/NG3G/-R		0.8			
06BEEG3GA/NG3GA/-R					
10BEEG3G/NG3G/-R		0.3			
10BEEG3GA/NG3GA/-R					

A: with ground choke

MINIMUM INSERTION LOSS IN dB

COMMON MODE (L-G) IN 50 OHM SYSTEM						
CURRENT RATING	FREQUENCY-MHz					
	.15	.50	1.0	5.0	10	30
3A (G) (A)	20	30	35	35	35	35
6A (G) (A)	10	20	25	35	40	35
10A (G) (A)	5	10	20	30	35	35
DIFFERENTIAL MODE (L-L) IN 50 OHM SYSTEM						
3A (G) (A)	4	10	20	35	35	40
6A (G) (A)	4	10	10	35	35	40
10A (G) (A)	5	10	20	30	35	35

MECHANICAL CONSTRUCTION



BENG3G

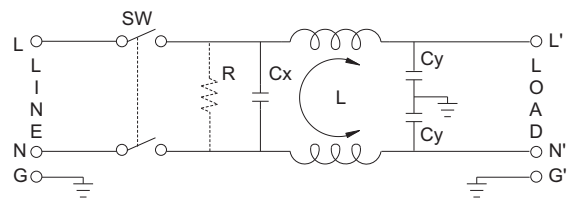


BEEG3G

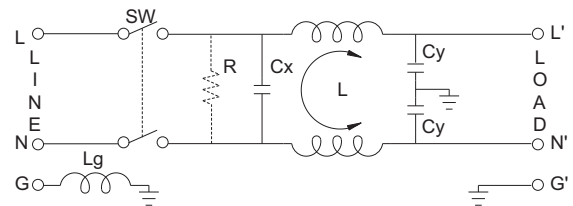
SPECIFICATIONS

1. Maximum leakage current each line-to-ground @ 115VAC 60Hz: 0.25mA
@ 250VAC 50Hz: 0.45mA
2. Hipot rating (one minute)
line-to-ground: 2250VDC
line-to-line: 1450VDC
3. Operating frequency: 50/60Hz
4. Rated voltage: 115/250VAC

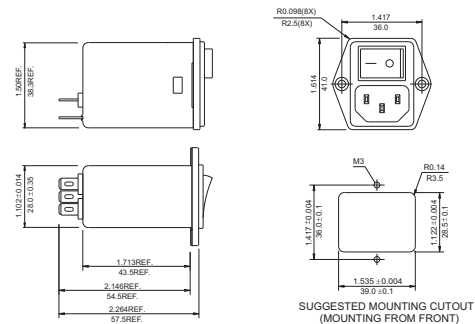
ELECTRICAL SCHEMATIC



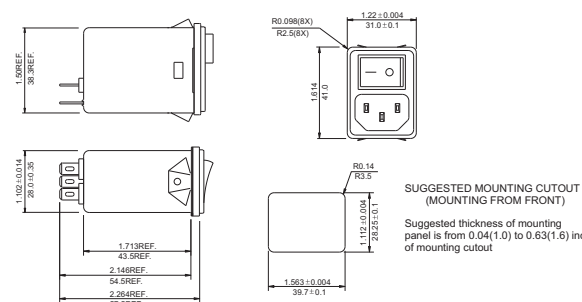
R: OPTION



3GA ONLY



BEEG3G



BENG3G

UNIT: $\frac{\text{INCH}}{\text{mm}}$