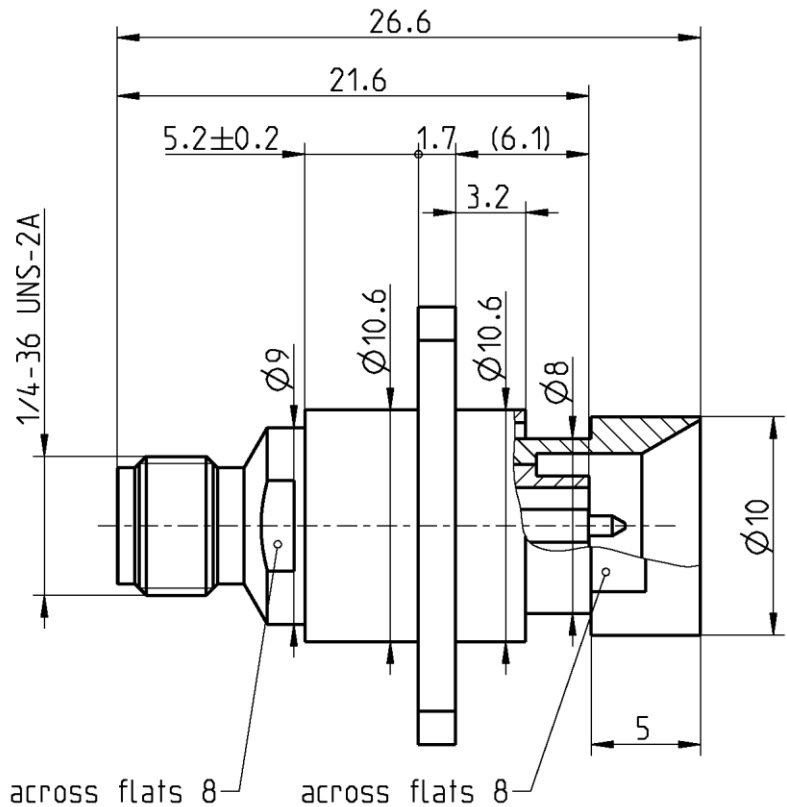
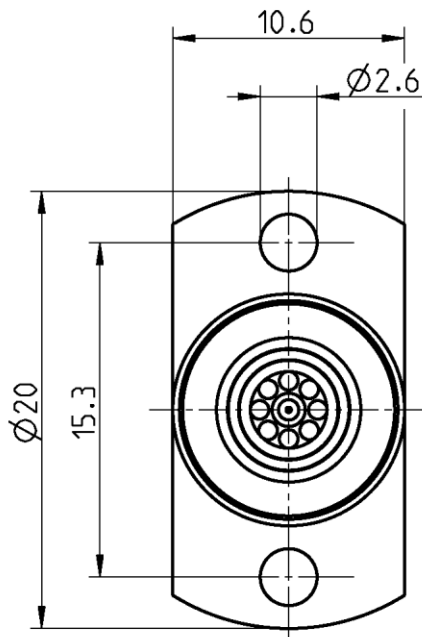
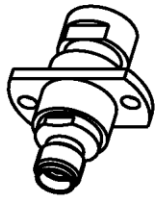


RPC-3.50

Floating Adaptor
jack - plug

03K721-S23S3



All dimensions are in mm; tolerances according to ISO 2768 m-H

Interface

According to
Mechanically compatible with

IEC 60169-23
RPC-2.92 and SMA

Documents

N/A

Material and plating

Connector parts

Center contact
Outer contact
Flange
Dielectric

Material

CuBe
Stainless steel
Brass
PS

Plating

Gold, min. 1.27 µm, over chemical nickel
Passivated
Flash white bronze over silver(e.g. Optargen®)

Dieses Dokument ist urheberrechtlich geschützt • This document is protected by copyright • Rosenberger Hochfrequenztechnik GmbH & Co. KG

RF_35/09.14/6.2

RPC-3.50

Floating Adaptor
jack - plug

03K721-S23S3

Electrical data

Impedance 50 Ω
 Frequency DC to 26.5 GHz
 Return loss ≥ 26 dB, DC to 18 GHz
 ≥ 23 dB, 18 GHz to 26.5 GHz
 Insertion loss ≤ 0.04 x √f(GHz) dB
 Insulation resistance ≥ 5 GΩ
 Test voltage (at sea level) 1000 V rms
 Working voltage (at sea level) 335 V rms
 RF-leakage ≥ 100 dB up to 1 GHz

Mechanical data

Mating cycles ≥ 500
 Center contact captivation ≥ 27 N
 Coupling test torque 1.70 Nm
 Recommended torque 0.80 Nm to 1.10 Nm
 Misalignment radial 0.7 mm min
 Spring force min. 8 N at rest
 max. 15 N at max. spring travel
 Spring travel 2.3 mm max.

Environmental data

Temperature range -40°C to +85°C
 Thermal shock MIL-STD-202, Method 107, Condition B
 Corrosion MIL-STD-202, Method 101, Condition B
 Vibration MIL-STD-202, Method 204, Condition D
 Shock MIL-STD-202, Method 213, Condition I
 Moisture resistance MIL-STD-202, Method 106
 RoHS compliant

Tooling

N/A

Suitable cables

N/A

Weight

9.6 g/pce

While the information has been carefully compiled to the best of our knowledge, nothing is intended as representation or warranty on our part and no statement herein shall be construed as recommendation to infringe existing patents. In the effort to improve our products, we reserve the right to make changes judged to be necessary.

Draft	Date	Approved	Date	Rev.	Engineering change number	Name	Date
H. Babinger	13.05.04	F. Reiner	26.06.18	e01	18-1026	M. Ruf	25.06.18

Rosenberger Hochfrequenztechnik GmbH & Co. KG
 P.O.Box 1260 D-84526 Tittmoning Germany
www.rosenberger.de

Tel. : +49 8684 18-0
 Email : info@rosenberger.de

Page
 2 / 2