



KE SERIES

HIGH PERFORMANCE IEC INLET FILTERS



INTRODUCTIONS

1. Applications for UL 544 & UL 2601 health care equipment.
2. Specially designed with ground choke providing most effective EMI suppression for high frequency noise (ranged 5-25MHz).
3. Bleeder resistor can be added with suffix "-R" on part numbers.
4. With optional 0.1uF X capacitor instead of 0.047uF.
5. With optional solder lug connection instead of fast on terminal.

COMPONENTS

PART NO.	L (mH)	Cx (uF)	Lg (uH)
03KEEG3DAM/03KEEW3DAM	3.1	0.047	100
03KEEG3EAM/03KEEW3EAM	3.1	0.1	
*08KEEG3DAM/08KEEW3DAM	0.8	0.047	
*08KEEG3EAM/08KEEW3EAM	0.8	0.1	
**10KEEG3DAM/10KEEW3DAM	0.4	0.047	
**10KEEG3EAM/10KEEW3EAM	0.4	0.1	

** UL, CSA & VDE approved to 9A 115/250VAC
 * VDE approved to 6A 250V

MINIMUM INSERTION LOSS IN dB

COMMON MODE (L-G) IN 50 OHM SYSTEM						
CURRENT RATING	FREQUENCY-MHz					
	.15	.50	1.0	5.0	10	30
3A	20	30	30	30	25	10
8A	10	12	15	15	15	10
10A	5	10	12	12	12	10
DIFFERENTIAL MODE (L-L) IN 50 OHM SYSTEM						
3A	0	10	12	25	25	20
8A	0	10	12	25	25	20
10A	0	10	12	25	25	20

MECHANICAL CONSTRUCTION



G3DAM

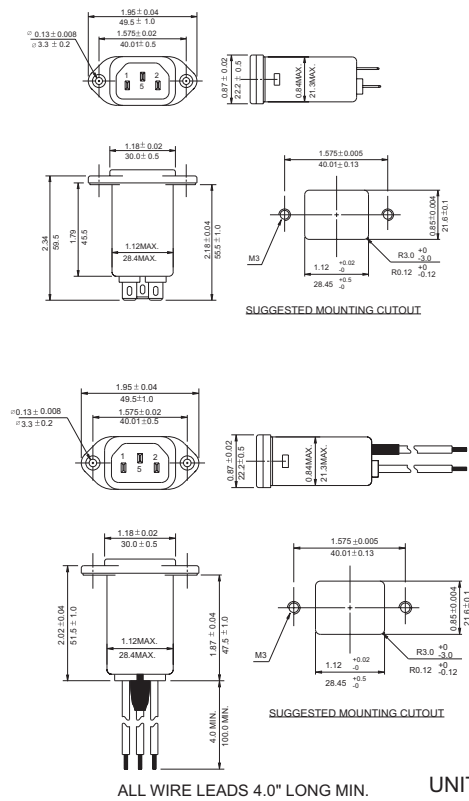
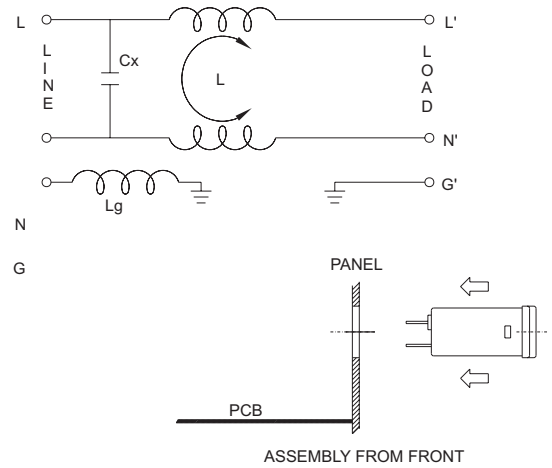


W3DAM

SPECIFICATIONS

1. Maximum leakage current each line-to-ground @ 115VAC 60Hz: 2uA @ 250VAC 50Hz: 5uA
2. Hipot rating (one minute) line-to-ground: 2250VDC line-to-line: 1450VDC
3. Operating frequency: 50/60Hz
4. Rated voltage: 115/250VAC

ELECTRICAL SCHEMATIC



ALL WIRE LEADS 4.0" LONG MIN. UNIT: INCH/mm