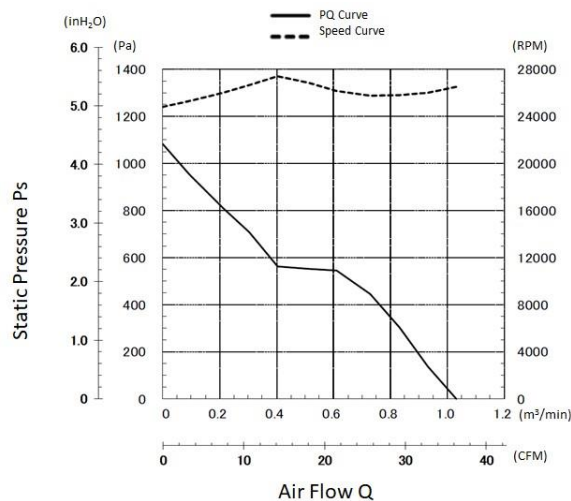


General Specifications

- Motor Type: DC Brushless Motor
- Motor Protection: Auto Restart/Polarity Protection
- Insulation Resistance: 10M Ω or over with a DC500V Megger
- Dielectric Withstand Voltage: AC 700V 1s or 500V 1min
- Allowable Ambient Temperature Range:
 - 10°C ~ +60°C (Operating)
 - 40°C ~ +70°C (Storage)
 - (non-condensing environment)

Characteristics Curves



PWM Benefits & Applications

PWM Benefits

- Increased Life Expectancy
- Energy Saving
- Lower Vibration
- Lower Noise
- Current Spike Prevention

PWM Applications

- Routers
- Switches
- Storage
- Data Centers
- Optical Repeaters
- Broadcast Equipment
- Inverters
- UPS
- Battery Chargers
- Fuel Cells
- Industrial Power Supplies
- Welders
- Plasma Cutters
- Instrumentation
- Test Equipment
- Enclosures and more

- Customized fan performances at multiple operating points.
- Peak efficiency resulting in lower total ownership costs.
- Cost effective and better reliability.

Life Expectancy L10

- 40°C 70,000 Hours
- 60°C 40,000 Hours

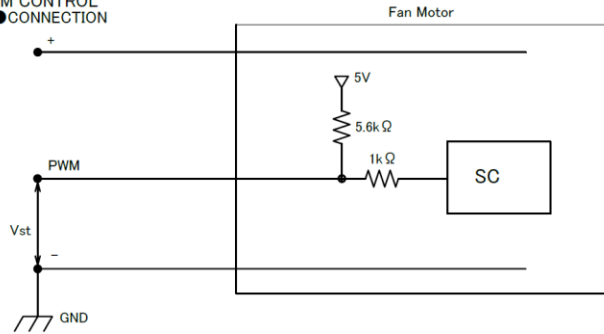
Specifications

MODEL	Rated	Operating	Current		Input Power		Speed	Max. Air Flow		Max. Static Pressure		Noise	Mass
	Voltage	Voltage	Avg	Max	Avg	Max		(CFM) ^{*1}	(m ³ /min) ^{*1}	(inH ₂ O) ^{*1}	(Pa) ^{*1}		
	(V)	(V)	(A) ^{*1}	(A) ^{*1}	(W) ^{*1}	(W) ^{*1}	(min ⁻¹) ^{*1}	(CFM) ^{*1}	(m ³ /min) ^{*1}	(inH ₂ O) ^{*1}	(Pa) ^{*1}	(dB) ^{*1}	(g)
04028DA-12T-AKH-AQ	12	10.8 ~ 13.2	1.55	1.95	18.60	23.40	26500	36.0	1.02	4.25	1060	66.5	47

04028DA-12T-AKH-AQ Replaces Part Number: 04028DA-12T-AK-H0
Fan specifications remain the same.

PWM Specifications

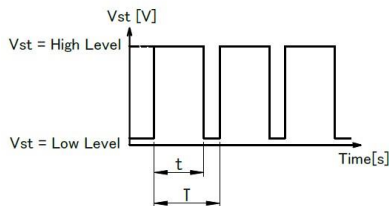
PWM CONTROL CONNECTION



1. PWM Control

- Vst = Low Level (0V ~ 0.4V) → Stop (On Duty 0%)
- Vst = High Level (4.0V ~ 5.0V) → Full Speed (On Duty 100%)
- Vst = Open → Full Speed

2. PWM Duty & PWM Input Pulse



PWM Duty means that a ration of high level time (t)/PWM Input Pulse(T).

$$(t/T) \times 100 : \text{On Duty } 0\% \sim 100\%$$

$$\text{PWM Frequency } f = 25[\text{kHz}]$$

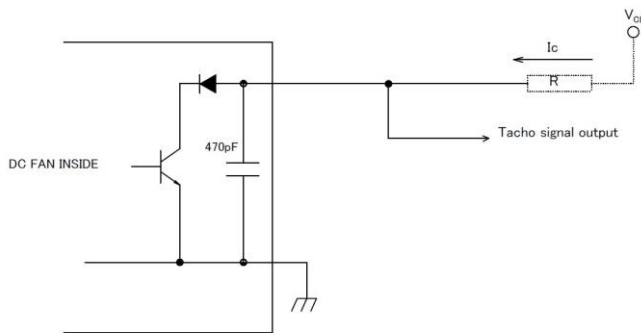
TACHO Specifications

TACHO SIGNAL

1. OUTPUT CIRCUIT : OPEN COLLECTOR

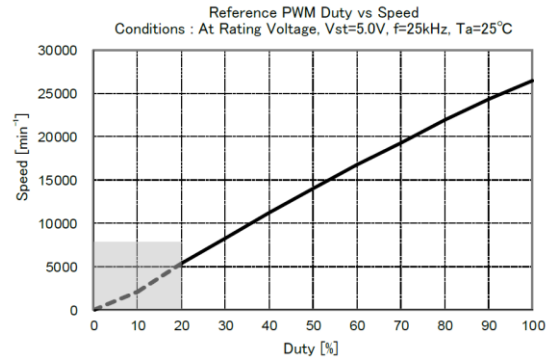
2. SPECIFICATION

- Ta=25°C
- Absolute Maximum Rating at Ta=25°C
- V_{CE} max : +15V
- I_c max : 5mA [V_{CE(sat)}max = 1.5V]



TACHO SIGNAL CIRCUIT

PWM Characteristics Curve

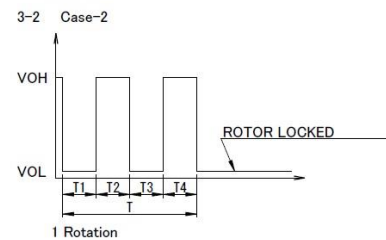
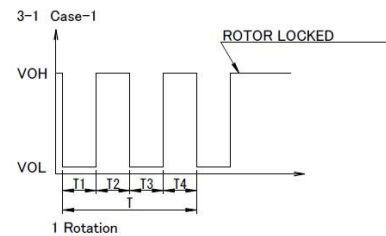


3. The condition for PWM control are as follows.

- When you use this under PWM control, always be sure the motor's operation under practical mounting state. Fan motor may not start up caused by PWM control at very low speed condition.
- To run at Rating Voltage
- Please use the start with Duty 20% or more at 25kHz. [At rated voltage input, Ambient temperature 25°C]

3. OUTPUT WAVEFORM : AT RATED VOLTAGE

OUTPUT SIGNAL VOLTAGE



- 1) When the rotor is locked at VOH position of signal, signal keeps VOH position.
- 2) When the rotor is locked at VOL position of signal, signal keeps VOL position.
- 3) $T = T1 + T2 + T3 + T4 = 60 / m = 1 \text{ rotation}$

$$m : \text{min}^{-1}$$

$$\text{Tach Duty Cycle} = 50\% \pm 10\%$$