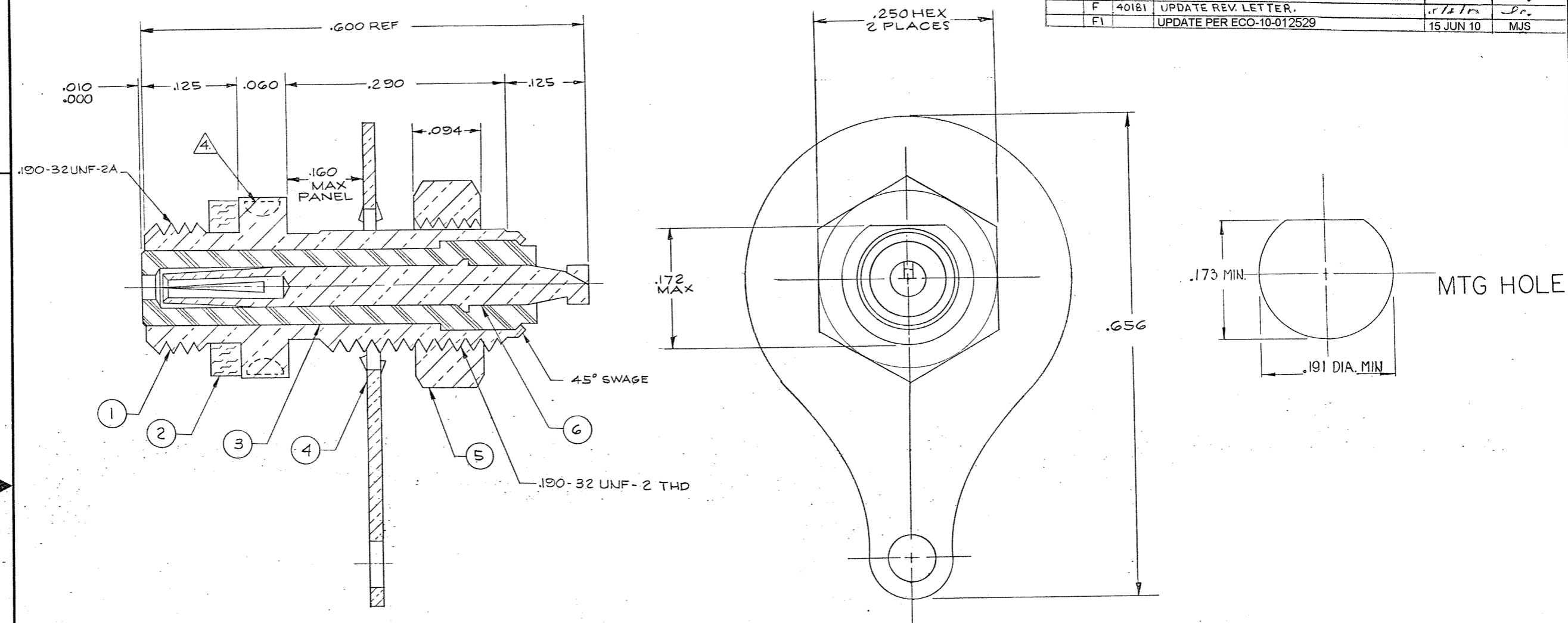


REVISIONS					
ZONE	LTR	ECO	DESCRIPTION	DATE	APPROVED
C		22863	REDRAWN, UP-DATED & CORRECTED <sup>12-677</sup> <sub>9.3</sub>	12/22/77	(U)
D		28902	ITEM #4 MAT'L. WAS: PHOSPHOR BRONZE QQ-B-750	8/13/89	h/f
E		36837	ITEM 2, WAS 003-0011-0001	3-31-97	dy
F		40181	UPDATE REV. LETTER.	11/2/97	Sc
FI			UPDATE PER ECO-10-012529	15 JUN 10	MJS



- NOTES: UNLESS OTHERWISE SPECIFIED
- THIS CONNECTOR MATES WITH ALL 50 SERIES SCREW TYPE PLUGS AS LISTED IN MICRODOT CATALOG.
  - SILVER PLATE .0002 MIN PER QQ-S-365 TYPE II, GRADE A.
  - GOLD PLATE PER MIL-G-45204 TYPE II, GRADEC, CLASS I.
  - .016 DIA. SAFETY WIRE HOLES (3 PLACES)

QTY REQD	CODE IDENT	PART OR IDENTIFYING NO.	NOMENCLATURE OR DESCRIPTION	MATERIAL & SPECIFICATION	ITEM NO.
1		2-1532064-5	SOCKET CONTACT	BERYLLIUM COPPER, QQ-C-530	6
1		1532059-7	HEX NUT	BRASS PER QQ-B-626	5
1		6-1532060-9	SHAKEPROOF LUG	425 BRONZE ALLOY	4
1		2-1532064-6	INSULATOR	TEFLON PER L-P-403	3
1		4-1532060-2	GASKET	SILICONE RUBBER, ZZ-R-765	2
1		7-1532055-5	HOUSING	BRASS PER QQ-B-626	1

PARTS LIST		CONTRACT NO.		MALCO A MICRODOT COMPANY, INC. 220 PASADENA AVE., SO. PASADENA, CALIF. 91030	
UNLESS OTHERWISE SPECIFIED DIMENSIONS ARE IN INCHES TOLERANCES ARE: FRACTIONS    DECIMALS    ANGLES ±                    .XX ±                    ± 2° .XXX ± .010		APPROVALS		DATE	
MATERIAL		DRAWN <i>h/zutimz</i>		9.30.77	
NOTED		CHECKED (U)		12/21/77	
		PR. ENG. (U)		12/21/77	
		APPD.			
FINISH		These drawings and specifications are the property of Microdot Inc., are issued in strict confidence and shall not be divulged, be reproduced or copied, or used as the basis for the manufacture or sale of any article without written permission of Microdot Inc.		SIZE	
NOTED				C	
NEXT ASSY		APPLICATION		CODE IDENT NO. 98278	
USED ON		DO NOT SCALE DRAWING		DRAWING NO. 1466301-1	
APPLICATION				SCALE 10 / 1	
				SHEET / OF /	

D  
C  
B  
A