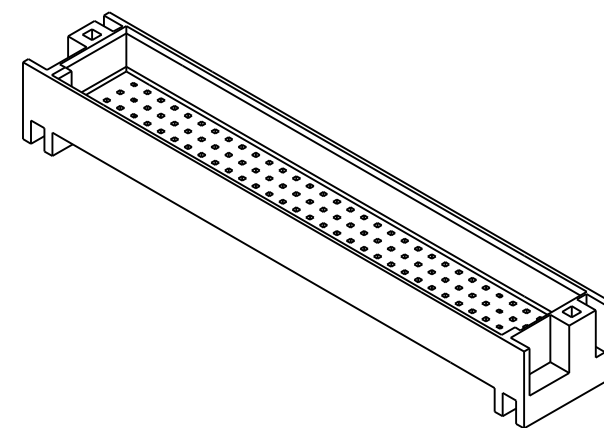
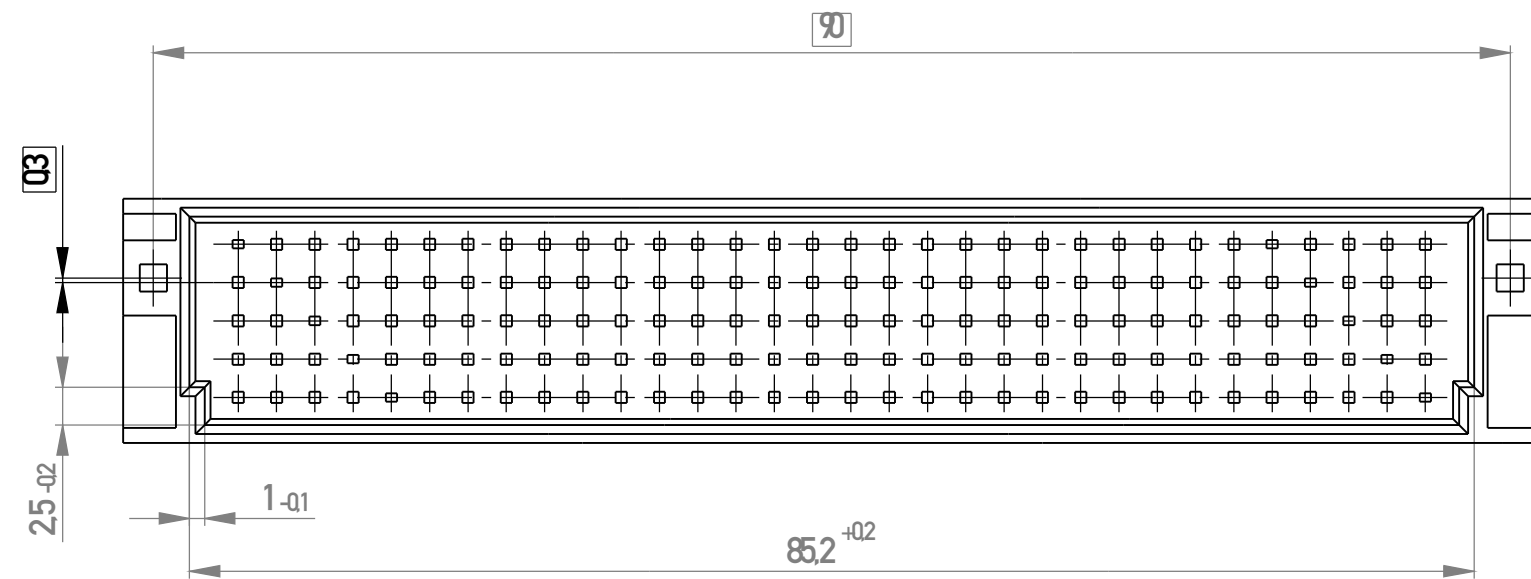
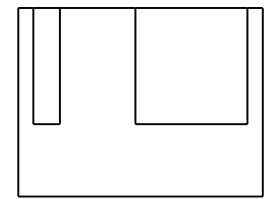
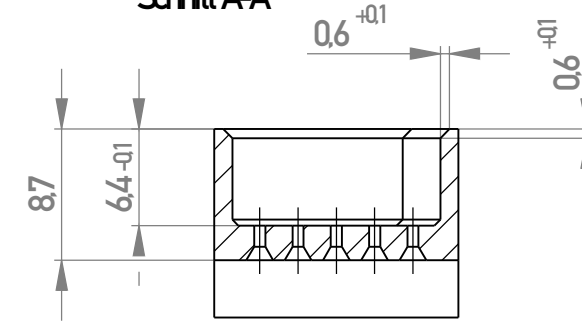


Schnitt A-A



Fertigungszeichnung
siehe A3 mit gleicher Abl.-Nr.

934242	92
064712	182
064711	160
064710	152
064709	136
064585	125
064708	118
064586	114
064729	110
Ident-Nr.	A

Information:		Tolerances	All Dimensions in mm	Scale	2:1	
All rights reserved. Only for Information. To ensure that this is the latest version of this drawing, please contact one of the ERNI companies before using.		Subject to modification without prior notice. Drawing will not be updated.		Designation		
<small>Copyright by ERNI Production GmbH & Co. KG Proprietary notice pursuant to ISO 16106 to be observed.</small>		www.ERNI.com		Führungsrahmen E160 064587		
c	22.07.2015					K
Index	Date			A3		
				Class	FRAEZT	