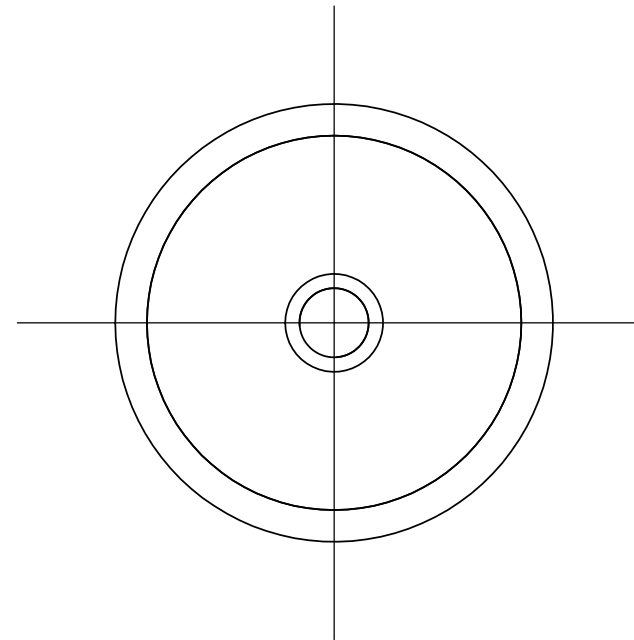
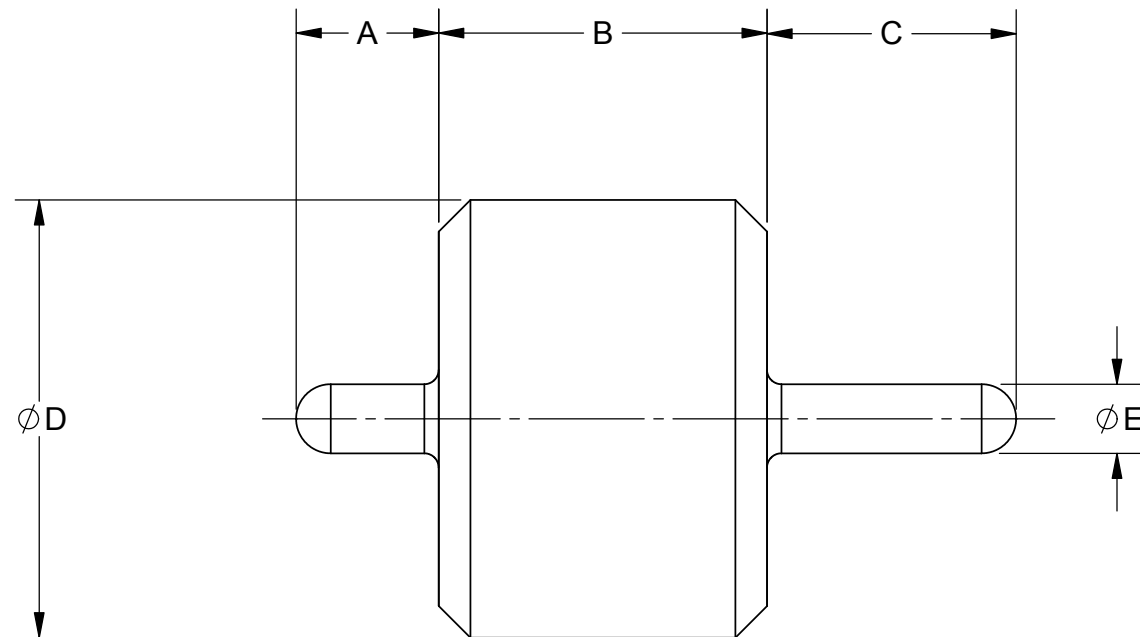


PRODUCT DATA DRAWING

| REVISION HISTORY | | | |
|------------------|-------------|-------|----------|
| REV | DESCRIPTION | DATE | APPROVED |
| - | DCN 39313 | 08/12 | STW |
| | | | |
| | | | |



| SV PART NUMBER | A | B | C | ØD | ØE |
|----------------|------|------|------|------|------|
| 066-15-000 | .040 | .055 | .029 | .076 | .012 |
| 066-15-001 | .040 | .055 | .080 | .076 | .012 |
| 066-15-002 | .030 | .055 | .026 | .068 | .009 |
| 066-15-003 | .030 | .055 | .080 | .068 | .009 |
| 066-15-004 | .030 | .055 | .120 | .068 | .009 |
| 066-15-005 | .050 | .060 | .125 | .158 | .020 |

MATERIAL:

OUTER RING & PIN: KOVAR PER ASTM F15
 GLASS SEAL: CORNING #7070 OR EQUIVILANT

FINISH:

OUTER RING & PIN: GOLD PER ASTM B488, TYPE II, CODE C, CLASS 1.27, OVER NICKEL PER AMS-QQ-N-290, CLASS 1, .00005" MIN.

| | | | |
|--|--|--|---|
| MATERIAL: SEE NOTES | DIMENSIONS ARE IN INCHES TOLERANCES: FRACTIONAL: ±1/64 ANGULAR: X° ±1'0" X"X' ±15' | UNLESS OTHERWISE SPECIFIED 1) ALL DIMENSIONS ARE IN INCHES (MILLIMETERS) 2) ALL DIMENSIONS ARE AFTER PLATING. 3) BREAK CORNERS & EDGES .005 R. MAX. 4) CHAM. 1ST & LAST THREADS. 5) SURFACE ROUGHNESS 63-MIL-STD-10. 6) DIA. 'S ON COMMON CENTERS TO BE CONCENTRIC WITHIN .005 T.I.R. 7) REMOVE ALL BURRS | SV Microwave, Inc. 2400 Centrepark West Drive, Suite 100 West Palm Beach, FL 33409 |
| FINISH: SEE NOTES | DECIMAL: X ±.030 .XX ±.010 .XXX ±.005 | INTERPRET DIMENSIONS AND TOLERANCES PER ASME Y14.5M - 1994 | TITLE: 50 OHM HERMETIC SEALS |
| SURFACE AREA: N/A | THIRD ANGLE PROJECTION | DRAWN: FSG 08/21/12 CHECKED: STW 08/21/12 APPROVED: STW 08/21/12 | SIZE: B CAGE CODE: 95077 DWG. NO. 066-15-000-005 |
| PROPRIETARY THE INFORMATION CONTAINED IN THIS DRAWING IS THE SOLE PROPERTY OF SV MICROWAVE, INC. ANY REPRODUCTION IN PART OR AS A WHOLE WITHOUT THE WRITTEN PERMISSION OF SV MICROWAVE, INC IS PROHIBITED. | | SCALE: 24:1 | SHEET 1 OF 1 |