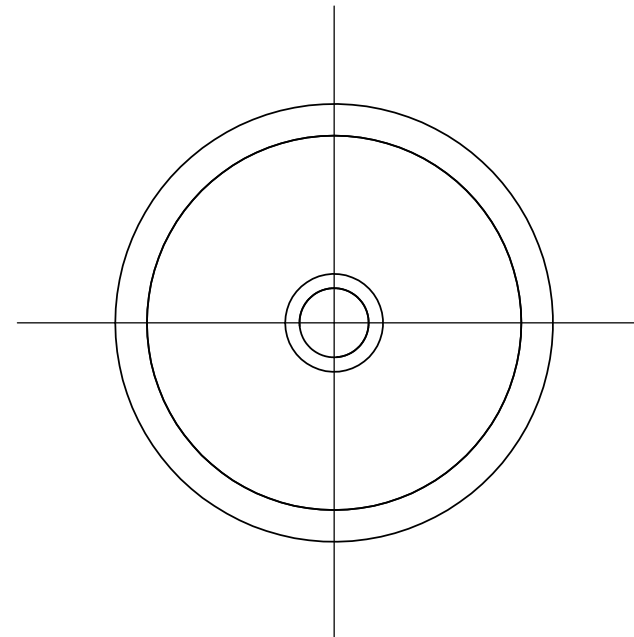
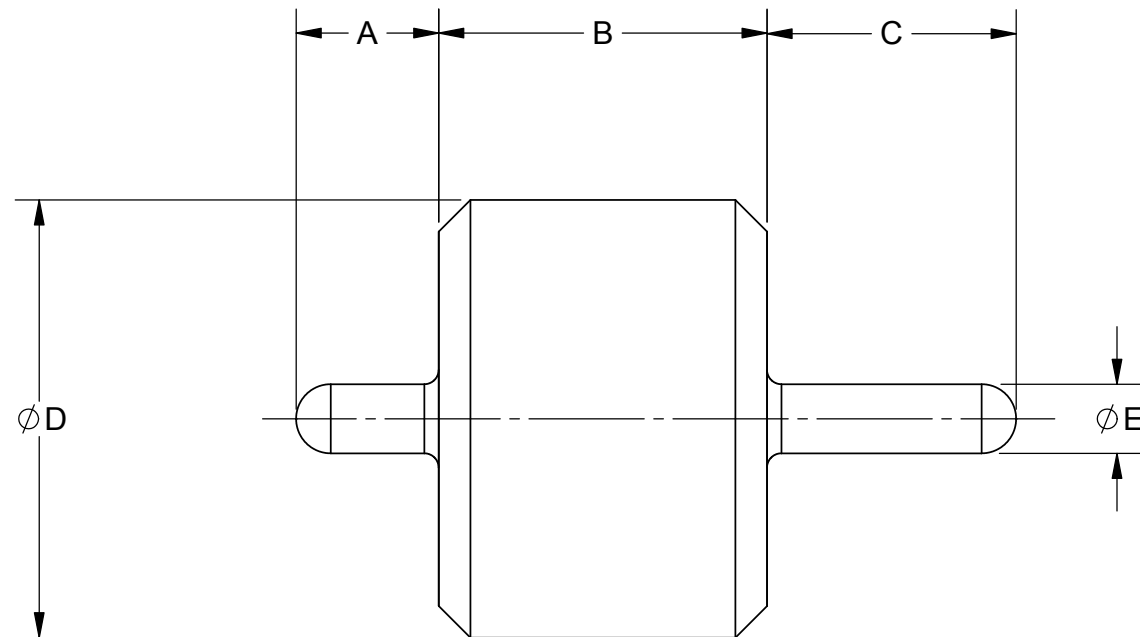


# PRODUCT DATA DRAWING

| REVISION HISTORY |             |       |          |
|------------------|-------------|-------|----------|
| REV              | DESCRIPTION | DATE  | APPROVED |
| -                | DCN 39313   | 08/12 | STW      |
|                  |             |       |          |



| SV PART NUMBER | A    | B    | C    | ØD   | ØE   |
|----------------|------|------|------|------|------|
| 066-15-000     | .040 | .055 | .029 | .076 | .012 |
| 066-15-001     | .040 | .055 | .080 | .076 | .012 |
| 066-15-002     | .030 | .055 | .026 | .068 | .009 |
| 066-15-003     | .030 | .055 | .080 | .068 | .009 |
| 066-15-004     | .030 | .055 | .120 | .068 | .009 |
| 066-15-005     | .050 | .060 | .125 | .158 | .020 |

**MATERIAL:**

OUTER RING & PIN: KOVAR PER ASTM F15  
 GLASS SEAL: CORNING #7070 OR EQUIVILANT

**FINISH:**

OUTER RING & PIN: GOLD PER ASTM B488, TYPE II, CODE C, CLASS 1.27, OVER NICKEL PER AMS-QQ-N-290, CLASS 1, .00005" MIN.

|  |  |  |   |
|--|--|--|---|
| MATERIAL: SEE NOTES  | DIMENSIONS ARE IN INCHES TOLERANCES:<br>FRACTIONAL: ±1/64 ANGULAR: X° ±1'0"<br>X"X' ±15' | UNLESS OTHERWISE SPECIFIED<br>1) ALL DIMENSIONS ARE IN INCHES (MILLIMETERS)<br>2) ALL DIMENSIONS ARE AFTER PLATING.<br>3) BREAK CORNERS & EDGES .005 R. MAX.<br>4) CHAM. 1ST & LAST THREADS.<br>5) SURFACE ROUGHNESS 63-MIL-STD-10.<br>6) DIA. 'S ON COMMON CENTERS TO BE CONCENTRIC WITHIN .005 T.I.R.<br>7) REMOVE ALL BURRS | <b>SV Microwave, Inc.</b><br>2400 Centrepark West Drive, Suite 100<br>West Palm Beach, FL 33409 |
| FINISH: SEE NOTES  | DECIMAL: X ±.030<br>.XX ±.010<br>.XXX ±.005  | INTERPRET DIMENSIONS AND TOLERANCES PER ASME Y14.5M - 1994   | TITLE:<br><b>50 OHM HERMETIC SEALS</b>  |
| SURFACE AREA: N/A  | THIRD ANGLE PROJECTION   | DRAWN: FSG 08/21/12<br>CHECKED: STW 08/21/12<br>APPROVED: STW 08/21/12   | SIZE: <b>B</b> CAGE CODE: <b>95077</b> DWG. NO. <b>066-15-000-005</b>                           |
| <b>PROPRIETARY</b><br>THE INFORMATION CONTAINED IN THIS DRAWING IS THE SOLE PROPERTY OF SV MICROWAVE, INC. ANY REPRODUCTION IN PART OR AS A WHOLE WITHOUT THE WRITTEN PERMISSION OF SV MICROWAVE, INC IS PROHIBITED. |  | SCALE: 24:1  | SHEET 1 OF 1  |