

INTRODUCTIONS

- AR series is designed as a high performance, two-stage filter for low impedance load with better noise attenuation than AK series in low frequency applications such as switching power supplies.
- Fuse holder designed for one IEC 5x20mm fuse. Safety interlock prevents fuse removal with line plug inserted (Use only with 250V fuse).
- All part numbers are UL recognized, CSA certified and VDE approved.
- Switch electrical lifetime: 10,000 cycles.
Maximum inrush current: 50A.

COMPONENTS

| PART NO. | C1 (uF) | L1 (mH) | L2 (mH) | Cy (pF) | R (Ω) |
|-----------|---------|---------|---------|---------|-------|
| 03AR1/2/3 | 0.1 | 1.5 | 9 | 2200 | 1M |
| 03AR2D/3D | 0.033 | 9 | 1.5 | | |
| 06AR1/2/3 | 0.1 | 0.7 | 2.5 | 3300 | 2.2M |
| 06AR2D/3D | 0.015 | 2.5 | 0.7 | | |
| 06AR4 | 0.1 | 0.7 | 2.5 | | |

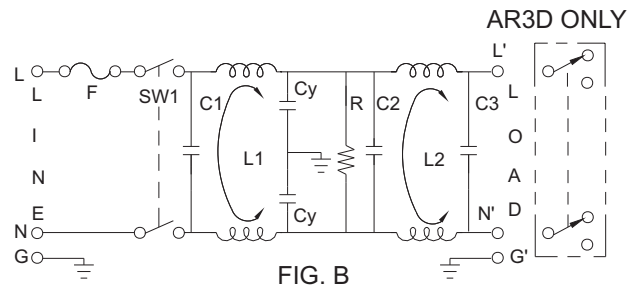
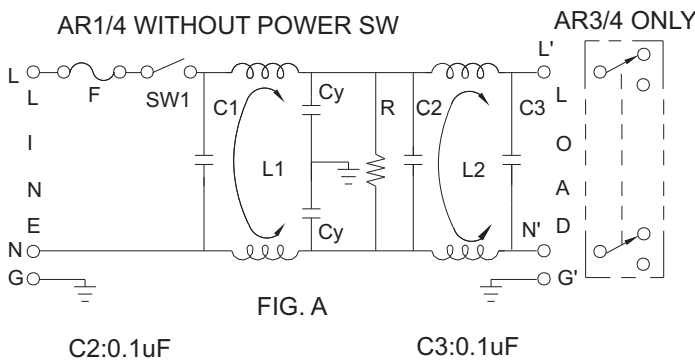
SPECIFICATIONS

- Maximum leakage current each
line-to-ground @ 115VAC 60Hz: 0.25mA
@ 250VAC 50Hz: 0.45mA
- Hipot rating (one minute)
line-to-ground: 2250VDC
line-to-line: 1450VDC
- Operating frequency: 50/60Hz
- Rated voltage: 115/250VAC

MINIMUM INSERTION LOSS IN dB

| COMMON MODE (L-G) IN 50 OHM SYSTEM | | | | | | |
|--|---------------|-----|-----|-----|----|----|
| CURRENT RATING | FREQUENCY-MHz | | | | | |
| | .15 | .50 | 1.0 | 5.0 | 10 | 30 |
| 03AR | 40 | 60 | 60 | 45 | 40 | 30 |
| 06AR | 34 | 55 | 56 | 40 | 35 | 25 |
| 06AR2D,3D | 34 | 60 | 60 | 45 | 40 | 30 |
| DIFFERENTIAL MODE (L-L) IN 50 OHM SYSTEM | | | | | | |
| 03AR | 6 | 45 | 55 | 50 | 45 | 40 |
| 06AR | 5 | 25 | 60 | 50 | 45 | 35 |
| 06AR2D,3D | 10 | 10 | 50 | 50 | 45 | 40 |

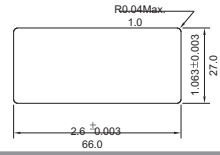
ELECTRICAL SCHEMATIC



TYPE & RATED CURRENT

| DELTA PART NO. | | AR1 | AR2 | AR2D | AR3 | AR3D | AR4 |
|----------------------|--------|--------|-----------------|-----------------|-------------------|-------------------|-------------------|
| RATED CURRENT | 115VAC | 6A | 6A | 6A | 6A | 6A | 6A |
| | 250VAC | 6A | 6A | 4A | 6A | 4A | 6A |
| IEC CONNECTOR | | △ | △ | △ | △ | △ | △ |
| FUSE HOLDER | | △ | △ | △ | △ | △ | △ |
| POWER SWITCH | | - | SP ¹ | DP ² | SP ¹ | DP ² | - |
| VOLTAGE SELECTOR SW | | - | - | - | REAR ³ | REAR ³ | REAR ³ |
| ELECTRICAL SCHEMATIC | | FIG. A | FIG. A | FIG. B | FIG. A | FIG. B | FIG. A |

- Single-pole UL, CSA & VDE approved, VDE-6A at 250VAC.
- Double-pole UL, CSA & VDE approved, VDE-4A at 250VAC.
Electrical lifetime: 10,000 cycles.
Maximum inrush current: 50A.
- Voltage selector SW -UL, CSA & VDE approved
Current rating: 10A at 125VAC; 5A at 250VAC.

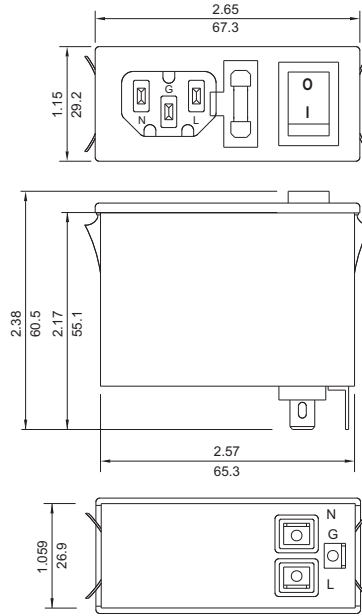


- Suggested thickness of mounting panel is from 0.04 to 0.07 inch
- suggest mounting cutout

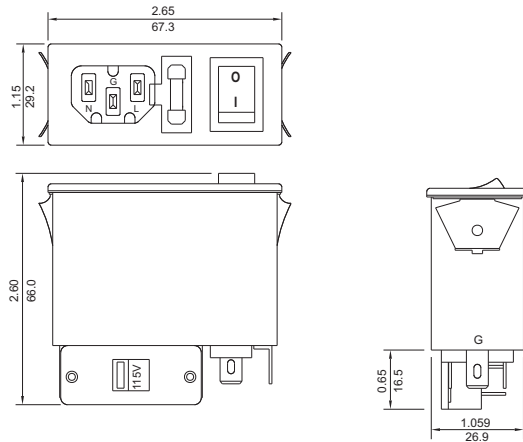
MECHANICAL CONSTRUCTION



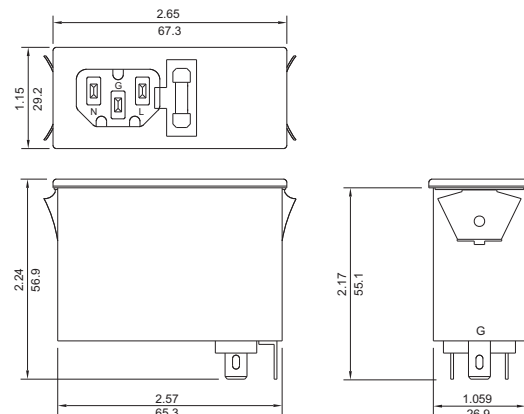
AR2, AR2D



AR3, AR3D
AR4 (without power switch)



AR1



UNIT: $\frac{\text{INCH}}{\text{mm}}$