

INTRODUCTIONS

1. Power module incorporates an IEC connector, single or double-fuse (IEC 5x20mm) holder, and double-pole power switch, plus an EMI filter all-in-one easy-to-install unit.
2. All part numbers are UL, CSA and VDE approved.
3. With optional Y CAP. from 1000/3300pF.
4. Switch electrical lifetime: 10,000 cycles.
Maximum inrush current: 50A

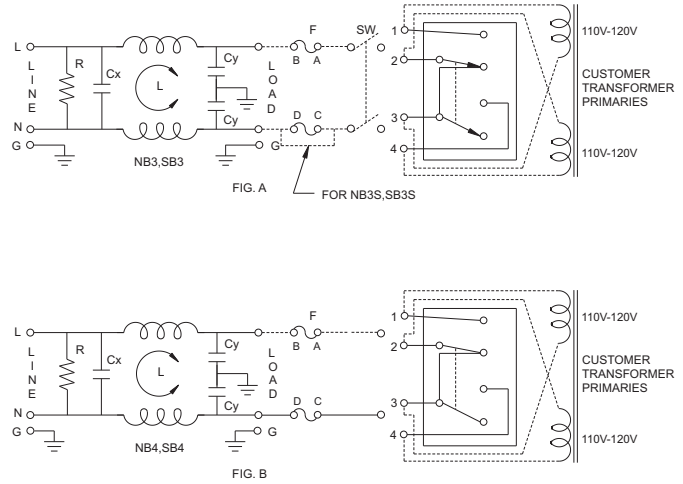
SPECIFICATIONS

1. Maximum leakage current each line-to-ground@115VAC 60Hz: 0.2mA
@250VAC 50Hz: 0.4mA
2. Hipot rating (one minute)
line-to-ground: 2250VDC
line-to-line: 1450VDC
3. Operating frequency: 50/60Hz
4. Rated voltage: 115/250VAC

COMPONENTS

| PART NO. | Cx (uF) | L (mH) | Cy (pF) | R(Ω) | | | |
|----------|---------|--------|---------|------|------|------|----|
| 03NB3 | 0.1 | 2.5 | 2200 | 1M | | | |
| 03NB4 | | | | | | | |
| 03NB3S | | | | | | | |
| 04NB3 | | 2.0 | | | | | |
| 04NB4 | | | | | | | |
| 04NB3S | | | | | | | |
| 06NB3 | | 1.05 | | | | | |
| 06NB4 | | | | | | | |
| 06NB3S | | | | | | | |
| 10NB3 | | 0.2 | | | | | |
| 10NB4 | | | | | | | |
| 10NB3S | | | | | | | |
| 03SB3 | | 0.1 | | | 2.5 | 2200 | 1M |
| 03SB4 | | | | | | | |
| 03SB3S | | | | | 2.0 | | |
| 04SB3 | | | | | | | |
| 04SB4 | | | | | 1.05 | | |
| 04SB3S | | | | | | | |
| 06SB3 | 0.2 | | | | | | |
| 06SB4 | | | | | | | |
| 06SB3S | | | | | | | |
| 10SB3 | | | | | | | |
| 10SB4 | | | | | | | |
| 10SB3S | | | | | | | |

ELECTRICAL SCHEMATIC

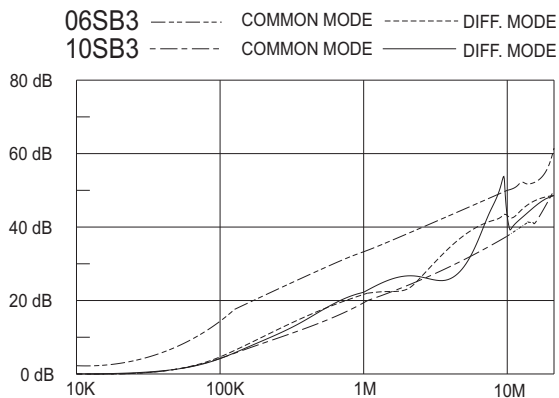
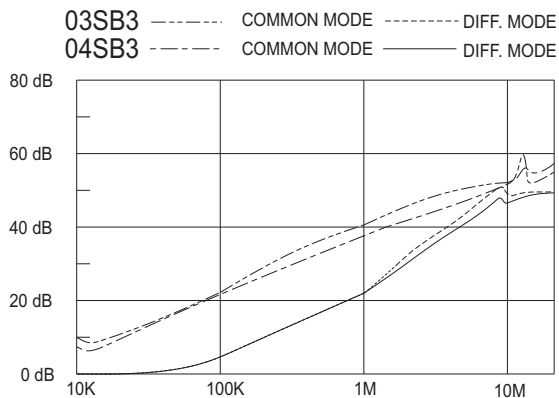


TYPE & RATED CURRENT

| DELTA PART NO. | 03NB3/SB3 | 04NB3/SB3 | 06NB3/SB3 | 10NB3/SB3 | 03NB4/SB4 | 04NB4/SB4 | 06NB4/SB4 | 10NB4/SB4 | |
|---------------------------|-----------|-----------|-----------|-----------|-----------|-----------|-----------|-----------|-----|
| RATED CURRENT | 115VAC | 3A | 4A | 6A | 10A | 3A | 4A | 6A | 10A |
| | 250VAC | 3A | 4A | 6A | 6A | 3A | 4A | 6A | 6A |
| IEC CONNECTOR | ▲ | ▲ | ▲ | ▲ | ▲ | ▲ | ▲ | ▲ | |
| FUSE | DOUBLE | DOUBLE | DOUBLE | DOUBLE | DOUBLE | DOUBLE | DOUBLE | DOUBLE | |
| *DOUBLE POLE POWER SWITCH | ▲ | ▲ | ▲ | ▲ | ▲ | ▲ | ▲ | ▲ | |
| ELECTRICAL SCHEMATIC | FIG.A | FIG.A | FIG.A | FIG.A | FIG.B | FIG.B | FIG.B | FIG.B | |

3S Single fuse
NB4,SB4 W/O switch

INSERTION LOSS (TYPICAL)



MINIMUM INSERTION LOSS IN dB

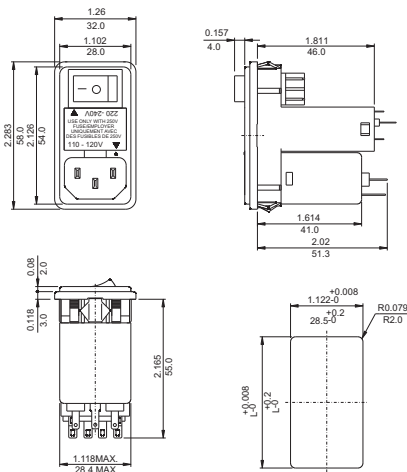
| COMMON MODE (L-G) IN 50 OHM SYSTEM | | | | | | |
|------------------------------------|---------------|-----|-----|-----|----|----|
| CURRENT RATING | FREQUENCY-MHz | | | | | |
| | .15 | .50 | 1.0 | 5.0 | 10 | 30 |
| 03NB3/SB3 | 20 | 25 | 30 | 38 | 40 | 40 |
| 03NB4/SB4 | 20 | 25 | 30 | 38 | 40 | 40 |
| 03NB3S/SB3S | 20 | 25 | 30 | 38 | 40 | 40 |
| 04NB3/SB3 | 20 | 25 | 25 | 40 | 40 | 40 |
| 04NB4/SB4 | 20 | 25 | 25 | 40 | 40 | 40 |
| 04NB3S/SB3S | 20 | 25 | 25 | 40 | 40 | 40 |
| 06NB3/SB3 | 12 | 18 | 24 | 35 | 40 | 40 |
| 06NB4/SB4 | 12 | 18 | 24 | 35 | 40 | 40 |
| 06NB3S/SB3S | 12 | 18 | 24 | 35 | 40 | 40 |
| 10NB3/SB3 | 3 | 8 | 10 | 20 | 30 | 45 |
| 10NB4/SB4 | 3 | 8 | 10 | 20 | 30 | 45 |
| 10NB3S/SB3S | 3 | 8 | 10 | 20 | 30 | 45 |

| COMMON MODE (L-L) IN 50 OHM SYSTEM | | | | | | |
|------------------------------------|---------------|-----|-----|-----|----|----|
| CURRENT RATING | FREQUENCY-MHz | | | | | |
| | .15 | .50 | 1.0 | 5.0 | 10 | 30 |
| 03NB3/SB3 | 4 | 12 | 18 | 38 | 40 | 40 |
| 03NB4/SB4 | 4 | 12 | 18 | 38 | 40 | 40 |
| 03NB3S/SB3S | 4 | 12 | 18 | 38 | 40 | 40 |
| 04NB3/SB3 | 3 | 10 | 15 | 30 | 35 | 35 |
| 04NB4/SB4 | 3 | 10 | 15 | 30 | 35 | 35 |
| 04NB3S/SB3S | 3 | 10 | 15 | 30 | 35 | 35 |
| 06NB3/SB3 | 4 | 10 | 15 | 35 | 40 | 40 |
| 06NB4/SB4 | 4 | 10 | 15 | 35 | 40 | 40 |
| 06NB3S/SB3S | 4 | 10 | 15 | 35 | 40 | 40 |
| 10NB3/SB3 | 5 | 12 | 15 | 30 | 30 | 40 |
| 10NB4/SB4 | 5 | 12 | 15 | 30 | 30 | 40 |
| 10NB3S/SB3S | 5 | 12 | 15 | 30 | 30 | 40 |

MECHANICAL CONSTRUCTION



NB3



SUGGESTED MOUNTING CUTOUT (MOUNTING FROM FRONT)
 L According to Panel Thickness
 0.8-2.0mm L=55.9
 2.1-3.2mm L=56.2

NB3,3S

UNIT: $\frac{\text{INCH}}{\text{mm}}$